

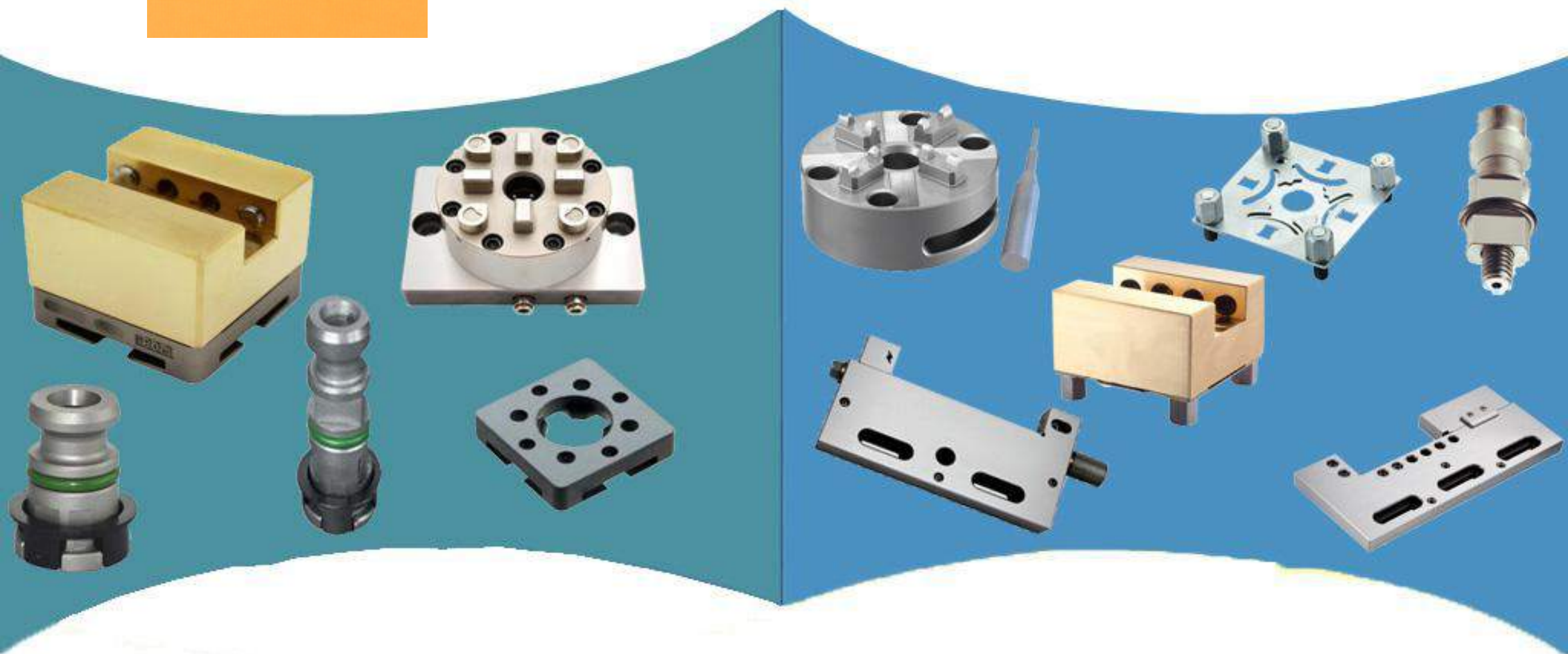


**AGS-TECH Inc.**

**Phone: +1-505-550-6501 and +1-505-565-5102; Fax: +1-505-814-5778**

**Email: [sales@agstech.net](mailto:sales@agstech.net)**

**Web: <http://www.agstech.net>**



Products in this catalog are 100% compatible with EROWA and 3R.

We accept OEM work, you can send us a drawing for evaluation.



Products in this catalog are 100% compatible with EROWA and 3R.

We accept OEM work, you can send us a drawing for evaluation.



**AGS-TECH Inc.**

Phone: +1-505-550-6501 and +1-505-565-5102; Fax: +1-505-814-5778

Email: sales@agstech.net Web: <http://www.agstech.net>

## Product List

| Page  | Category                            | Products  |
|-------|-------------------------------------|---|
| 3     | EROWA EDM tooling                   | Centering plates, chucking spigots, U slotted steel holder  |
| 4~6   | EROWA EDM tooling                   | Steel holder, brass holder, Aluminium holder D148 pallet, D115 reference pallet, D72 holders, electronic chip |
| 7     | EROWA EDM tooling                   | Square 15&25 system, straight holder, angle holder, prism die, ER32 collet holder                             |
| 8     | EROWA EDM tooling                   | self centering vise, Magnetic pallet, ITS Compact Combi electrode holders                                     |
| 9~13  | EROWA Chucks                        | Pneumatic chuck, manual chuck, Square 80mm chuck, Tiny chuck, D150 Power                                      |
| 14    | Zeropoint System                    | Zeropoint Pneumatic chuck, pallets  |
| 15    | EROWA Chucks                        | UPC power chuck, pallets, element, ITS manual Quick chuck D100  |
| 16~18 | EROWA Chucks                        | D100 manual chucks, Quick chuck 50mm, screw-locking chuck   |
| 19    | EROWA Chucks<br>WEDM Tooling        | Quick chuck 50, V holder, 3 axis jig vise   |
| 20    | EROWA EDM Tooling<br>WEDM Tooling   | Fixed WEDM chuck, adjustable WEDM chuck, angle clamping unit,   |
| 21    | EROWA EDM tooling                   | extension quick chuck, centering sensor, magnetic probe   |
| 22    | EROWA EDM tooling                   | EROWA measuring tool, guaging pin, checking pin   |
| 23~24 | Camera magnifier                    | camera magnifier (EROWA 3R, universal, magnetic)  |
| 25    | EROWA Robot Parts                   | ITS 50 electrode change, ITS148 pallet changer, robot arm connector, gripper                                  |
| 26    | EROWA EDM tooling<br>Small Hole EDM | chuck accessories, workpiece centering device, Torque wrench, Small hole EDM tools                            |
| 27    | 3R EDM Tooling                      | centering pallet 54mm, 70mm, drawbar, centering sensor, guaging pin,  |
| 28    | 3R EDM Tooling                      | checking talbe, guaging pin, ER32 collet holder, pendulum vise, electrode holders                             |
| 29    | 3R EDM Tooling                      | 3R electrode holders  |
| 30~34 | 3R EDM Tooling                      | 3R chucks   |
| 35~40 | WEDM Fixture Vise                   | WireEDM vise  |
| 41    | WEDM Fixture Vise                   | vise, clamping beam   |
| 42    | WEDM Fixture Vise                   | WireEDM fixtures, vise,   |
| 43    | WEDM Fixture Vise                   | WireEDM fixtures, support jacks, wireEDM work table   |

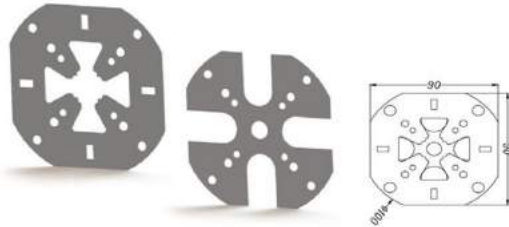
**A0001**



| 規格參數表 SPECIFICATION |                                 |
|---------------------|---------------------------------|
| 規格 SIZE             | 50x50x0.6mm                     |
| 主體材料 MATERIAL       | 進口日本優質材料 NIPPON STAINLESS STEEL |
| 硬度 HARDNESS         | 38-42HRC                        |

品名: 50定位片 CENTERING PLATE 50

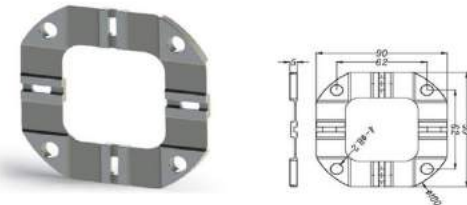
**A0002**



| 規格參數表 SPECIFICATION |                                 |
|---------------------|---------------------------------|
| 規格 SIZE             | 90x90x0.6mm                     |
| 主體材料 MATERIAL       | 進口日本優質材料 NIPPON STAINLESS STEEL |
| 硬度 HARDNESS         | 40-44HRC                        |

品名: 90定位片 CENTERING PLATE 90

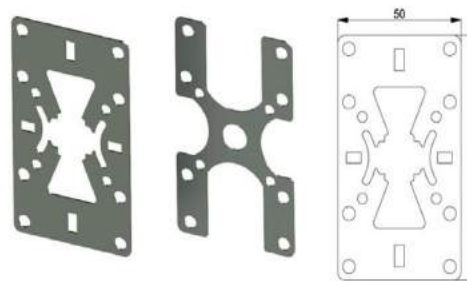
**A0003**



| 規格參數表 SPECIFICATION |                                 |
|---------------------|---------------------------------|
| 規格 SIZE             | 90x90x5mm                       |
| 主體材料 MATERIAL       | 進口日本優質材料 NIPPON STAINLESS STEEL |
| 硬度 HARDNESS         | 48-52HRC                        |

品名: G型定位片 G PLATE INOX

**A0004**

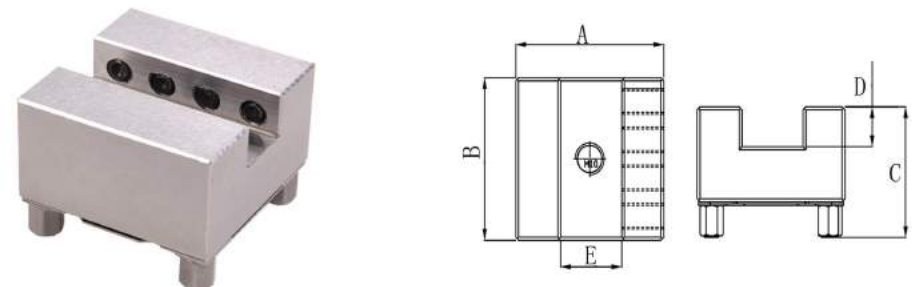


| 規格參數表 SPECIFICATION |                             |
|---------------------|-----------------------------|
| 規格 Size             | 50x90x0.6mm                 |
| 硬度 HARDNESS         | 38-42HRC                    |
| 附帶配件 Included       | M5X16實心機米 H8加硬六角釘<br>M5x8杯頭 |

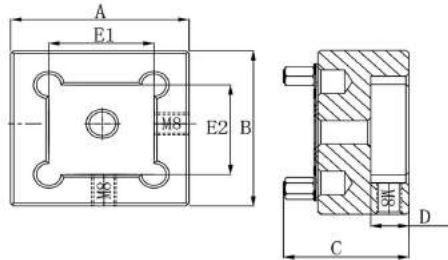
品名: 50x90定位片 Centering Plate 50x90

| Code   | Description  |
|--------|--|
| Q0003  | manual chucking spigot,without flushing hole, for EDM or light machining                 |
| Q0004  | automatic spigot,without flushing hole,for EDM or light machining                        |
| Q0004B | automatic spigot,with flushing hole,for EDM or light machining 015465                    |
| Q0003B | manual spigot 50mm length ,without flushing hole,for chip-cutting,heavy machining 010742 |
| Q0003C | Chucking spigot for Compact Combi 029098   |

| Code   | Description                | Size(A*B*C*E*D)     |
|--------|----------------------------|---------------------|
| B0001  | U15 Stainless steel holder | 51*51*41*16*12.5 mm |
| B0002  | U20 Stainless steel holder | 51*51*41*21*12.5 mm |
| B0003  | U25 Stainless steel holder | 51*51*41*26*12.5 mm |
| B0004  | U30 Stainless steel holder | 51*51*41*31*12.5 mm |
| B00U35 | U35 Stainless steel holder | 60*51*41*36*12.5 mm |
| B00U40 | U40 Stainless steel holder | 65*51*41*41*12.5 mm |
| B00U45 | U45 Stainless steel holder | 70*51*41*46*12.5 mm |
| B00U50 | U50 Stainless steel holder | 75*51*41*51*12.5 mm |



| Code   | Description                      | Size (A*B*C*E1*E2*D) |
|--------|----------------------------------|----------------------|
| B0005  | Square 15 Stainless steel holder | 51*51*41*16*16*15 mm |
| B0006  | Square 20 Stainless steel holder | 51*51*41*21*21*15 mm |
| B0007  | Square 25 Stainless steel holder | 51*51*41*26*26*15 mm |
| B0008  | Square 30 Stainless steel holder | 51*51*41*31*31*15 mm |
| B00S35 | Square 35 Stainless steel holder | 60*60*41*36*36*15 mm |
| B00S40 | Square 40 Stainless steel holder | 65*65*41*41*41*15 mm |
| B00S45 | Square 45 Stainless steel holder | 70*70*41*46*46*15 mm |
| B00S50 | Square 50 Stainless steel holder | 75*75*41*51*51*15 mm |



**B0010-A**



品名: 130x51平面不銹鋼夾頭  
130x51 FLAT STAINLESS STEEL HOLDER

| 規格參數表 SPECIFICATION |                               |
|---------------------|-------------------------------|
| 規格 SIZE             | 130x51x34.2mm                 |
| 主體材料 MATERIAL       | 420不銹鋼<br>420 STAINLESS STEEL |
| 硬度 HARDNESS         | 30~36HRC                      |

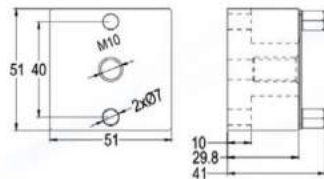
**B0011**



品名: 150x92平面不銹鋼夾頭  
150x92 FLAT STAINLESS STEEL HOLDER

| 規格參數表 SPECIFICATION |                               |
|---------------------|-------------------------------|
| 規格 SIZE             | 150x92x29.2mm                 |
| 主體材料 MATERIAL       | 420不銹鋼<br>420 STAINLESS STEEL |
| 硬度 HARDNESS         | 30~36HRC                      |

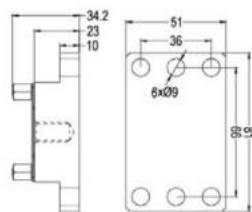
**B0009**



品名: 51x51平面不銹鋼夾頭  
51x51 FLAT STAINLESS STEEL HOLDER

| 規格參數表 SPECIFICATION |                               |
|---------------------|-------------------------------|
| 規格 SIZE             | 51x51x41mm                    |
| 主體材料 MATERIAL       | 420不銹鋼<br>420 STAINLESS STEEL |
| 硬度 HARDNESS         | 30~36HRC                      |

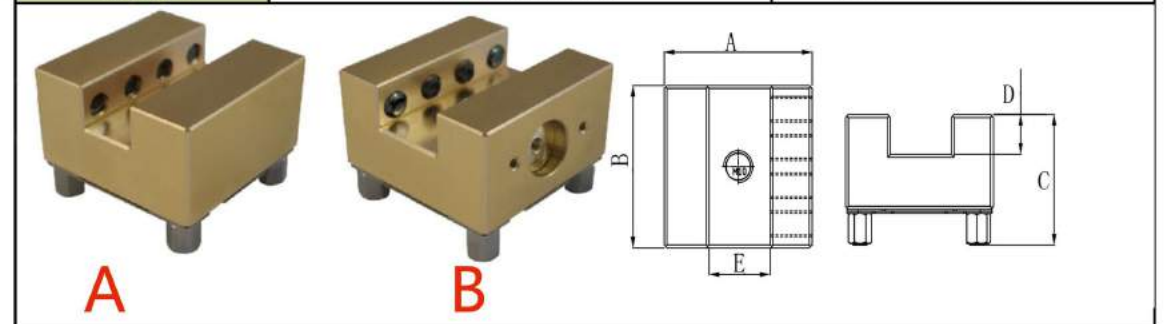
**B0010**



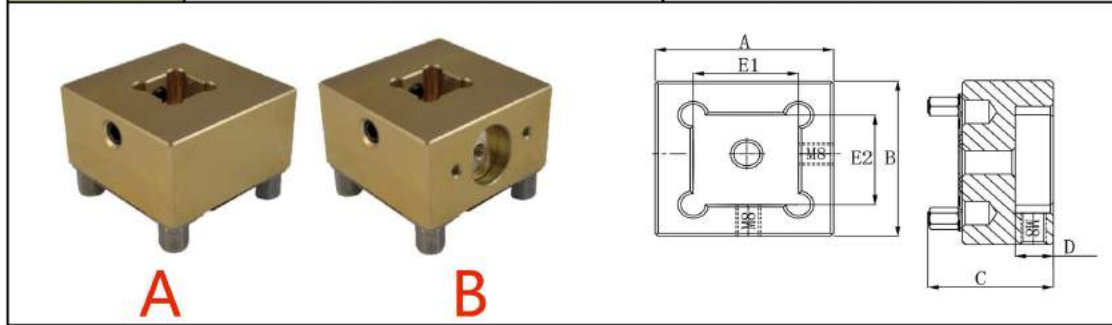
品名: 81x51平面不銹鋼夾頭  
81x51 FLAT STAINLESS STEEL HOLDER

| 規格參數表 SPECIFICATION |                               |
|---------------------|-------------------------------|
| 規格 SIZE             | 51x81x41mm                    |
| 主體材料 MATERIAL       | 420不銹鋼<br>420 STAINLESS STEEL |
| 硬度 HARDNESS         | 30~36HRC                      |

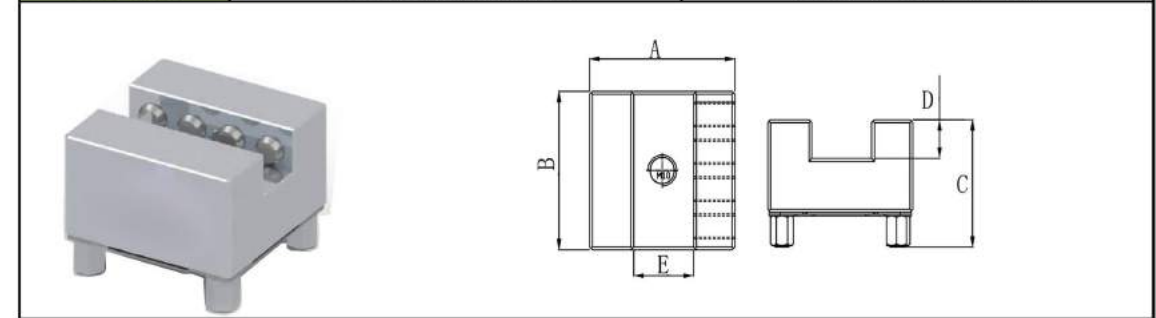
| Code   | Description      | Size(A*B*C*E*D)     |
|--------|------------------|---------------------|
| C0001  | U15 Brass holder | 51*51*41*16*12.5 mm |
| C0002  | U20 Brass holder | 51*51*41*21*12.5 mm |
| C0003  | U25 Brass holder | 51*51*41*26*12.5 mm |
| C00U30 | U30 Brass holder | 51*51*41*31*12.5 mm |
| C00U35 | U35 Brass holder | 60*51*41*36*12.5 mm |
| C00U40 | U40 Brass holder | 65*51*41*41*12.5 mm |
| C00U45 | U45 Brass holder | 70*51*41*46*12.5 mm |
| C00U50 | U50 Brass holder | 75*51*41*51*12.5 mm |



| Code   | Description            | Size (A*B*C*E1*E2*D) |
|--------|------------------------|----------------------|
| C0005  | Square 15 Brass holder | 51*51*41*16*16*20 mm |
| C0006  | Square 20 Brass holder | 51*51*41*21*21*20 mm |
| C0007  | Square 25 Brass holder | 51*51*41*26*26*20 mm |
| C00S30 | Square 30 Brass holder | 51*51*41*31*31*20 mm |
| C00S35 | Square 35 Brass holder | 60*60*41*36*36*20 mm |
| C00S40 | Square 40 Brass holder | 65*65*41*41*41*20 mm |
| C00S45 | Square 45 Brass holder | 70*70*41*46*46*20 mm |
| C00S50 | Square 50 Brass holder | 75*75*41*51*51*20 mm |



| Code   | Description          | Size(A*B*C*E*D)     |
|--------|----------------------|---------------------|
| D0001  | U15 Aluminium holder | 51*51*41*16*12.5 mm |
| D0002  | U20 Aluminium holder | 51*51*41*21*12.5 mm |
| D0003  | U25 Aluminium holder | 51*51*41*26*12.5 mm |
| D00U30 | U30 Aluminium holder | 51*51*41*31*12.5 mm |
| D00U35 | U35 Aluminium holder | 60*51*41*36*12.5 mm |
| D00U40 | U40 Aluminium holder | 65*51*41*41*12.5 mm |
| D00U45 | U45 Aluminium holder | 70*51*41*46*12.5 mm |
| D00U50 | U50 Aluminium holder | 75*51*41*51*12.5 mm |



**C0004**

品名: 51x51 平面黃銅夾頭  
51x51 FLAT BRASS HOLDER

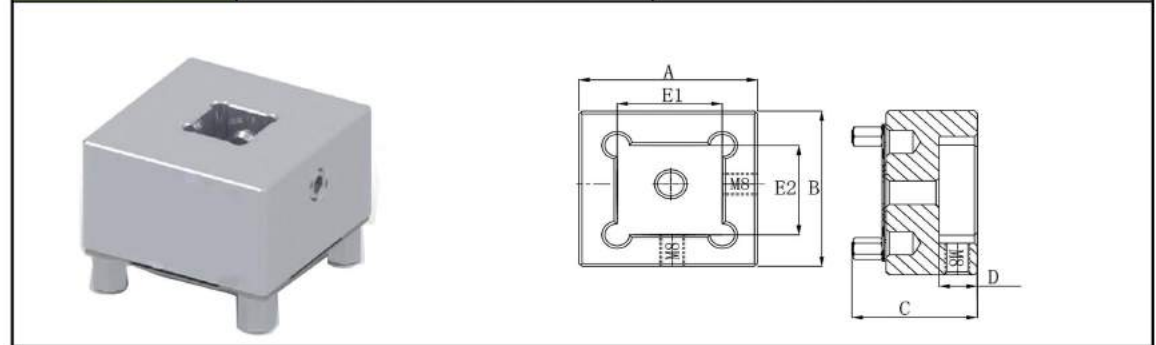
| 規格參數表 SPECIFICATION |                      |
|---------------------|----------------------|
| 規格 SIZE             | 51x51x41mm           |
| 主體材料 MATERIAL       | 國標黃銅 STANDARD COPPER |
| 硬度 HARDNESS         | HB100~110            |

**C0008**

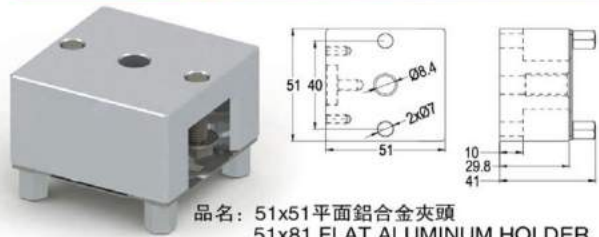
品名: 51x81 平面黃銅夾頭  
51x81 FLAT BRASS HOLDER

| 規格參數表 SPECIFICATION |                      |
|---------------------|----------------------|
| 規格 SIZE             | 51x81x34.2mm         |
| 主體材料 MATERIAL       | 國標黃銅 STANDARD COPPER |
| 硬度 HARDNESS         | HB100~110            |

| Code   | Description                | Size (A*B*C*E1*E2*D) |
|--------|----------------------------|----------------------|
| D0005  | Square 15 Aluminium holder | 51*51*41*16*16*20 mm |
| D0006  | Square 20 Aluminium holder | 51*51*41*21*21*20 mm |
| D0007  | Square 25 Aluminium holder | 51*51*41*26*26*20 mm |
| D00S30 | Square 30 Aluminium holder | 51*51*41*31*31*20 mm |
| D00S35 | Square 35 Aluminium holder | 60*60*41*36*36*20 mm |
| D00S40 | Square 40 Aluminium holder | 65*65*41*41*41*20 mm |
| D00S45 | Square 45 Aluminium holder | 70*70*41*46*46*20 mm |
| D00S50 | Square 50 Aluminium holder | 75*75*41*51*51*20 mm |



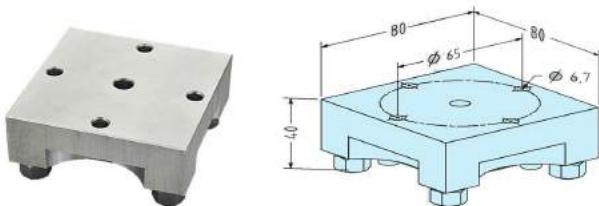
**D0004**



品名: 51x51平面鋁合金夾頭  
51x81 FLAT ALUMINUM HOLDER

| 規格參數表 SPECIFICATION |   |
|---------------------|---|
| 規格 SIZE             | 51x51x41mm                                |
| 主體材料 MATERIAL       | 進口7系鋁合金<br>IMPORT 7 SERIES ALUMINUM ALLOY |
| 硬度 HARDNESS         | HB140-150                                 |

**D0008**



aluminum, system size 100, with M8 supports.

To mount electrodes and workpieces with a base surface of more than 70 mm.

With 4 x M6 bolts into the base surface.

**U0005**



品名: D115 ITS 零位基準座 D115 ITS Reference Pallets

| 規格參數表 SPECIFICATION       |                                   |
|---------------------------|-----------------------------------|
| 規格 SIZE                   | D115x40mm                         |
| 主體材料 MATERIAL             | 420 不銹鋼<br>Stainless Steel 420    |
| 硬度 HARDNESS               | 48-52HRC                          |
| 裝配 ASSEMBLY               | G型定位片<br>G Plate                  |
| 出廠要求 FACTORY REQUIREMENTS | 全部倒角、調平<br>All Chamfers, Leveling |

**U0006**



品名: D148 ITS 平面夾頭 D148 ITS G R 25 Pallet

| 規格參數表 SPECIFICATION       |                                   |
|---------------------------|-----------------------------------|
| 規格 SIZE                   | D148x40mm                         |
| 主體材料 MATERIAL             | 420 不銹鋼<br>Stainless Steel 420    |
| 硬度 HARDNESS               | 30-36HRC                          |
| 裝配 ASSEMBLY               | G型定位片<br>G Plate                  |
| 出廠要求 FACTORY REQUIREMENTS | 全部倒角、調平<br>All Chamfers, Leveling |

100% compatible with EROWA and 3R

**U0001**



品名: D72 ITS 25方型不銹鋼夾頭  
D72 ITS S25 Stainless Holder

| 規格參數表 SPECIFICATION |                                |
|---------------------|--------------------------------|
| 規格 SIZE             | D72x44.2mm                     |
| 主體材料 MATERIAL       | 420 不銹鋼<br>Stainless Steel 420 |
| 硬度 HARDNESS         | 30-36HRC                       |

**U0002**



品名: D72 ITS U20槽型不銹鋼夾頭  
D72 ITS U20 Stainless Holder

| 規格參數表 SPECIFICATION |                                |
|---------------------|--------------------------------|
| 規格 SIZE             | D72x44.2mm                     |
| 主體材料 MATERIAL       | 420 不銹鋼<br>Stainless Steel 420 |
| 硬度 HARDNESS         | 30-36HRC                       |

**U0003**



品名: D72 ITS 平面不銹鋼夾頭(帶自鎖螺絲)  
D72 ITS Flat Stainless Steel Holder(screw lock)

| 規格參數表 SPECIFICATION |                                |
|---------------------|--------------------------------|
| 規格 SIZE             | D72x44.2mm                     |
| 主體材料 MATERIAL       | 420 不銹鋼<br>Stainless Steel 420 |
| 硬度 HARDNESS         | 30-36HRC                       |

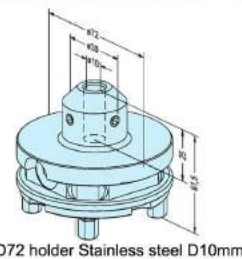
**U0004**



品名: D72 ITS 平面不銹鋼夾頭  
D72 ITS Blank Stainless Steel Holder

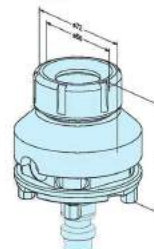
| 規格參數表 SPECIFICATION |                                |
|---------------------|--------------------------------|
| 規格 SIZE             | D72x44.2mm                     |
| 主體材料 MATERIAL       | 420 不銹鋼<br>Stainless Steel 420 |
| 硬度 HARDNESS         | 30-36HRC                       |

**U0009**



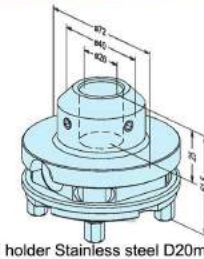
D72 holder Stainless steel D10mm

**U0007**



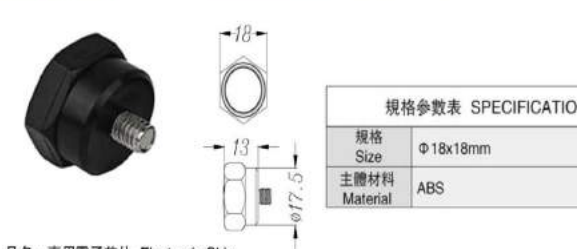
D72 ER32 collet holder Stainless steel

**U0008**



D72 holder Stainless steel D20mm

**Q0001**

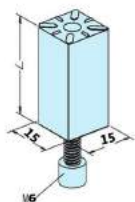


品名: 專用電子芯片 Electronic Chip

| 規格參數表 SPECIFICATION |          |
|---------------------|----------|
| 規格 Size             | Φ18x18mm |
| 主體材料 Material       | ABS      |

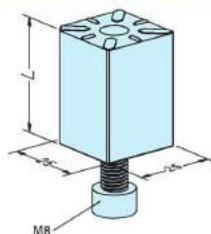
100% compatible with EROWA and 3R

**S1515L**



Straight holder 15x15mm

**S2525L**

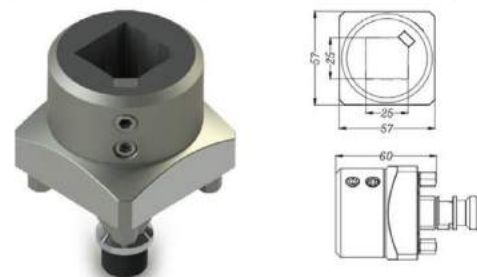


Straight holder 25x25mm

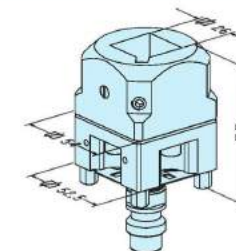
**M0001**

**M0001B**

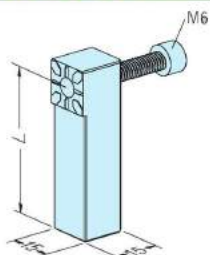
**M0004**



M0001 Square 25mm holder  
 M0001B Square 15mm holder

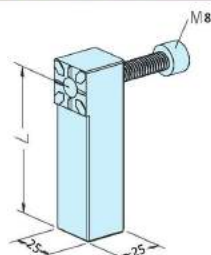


**A1515L**



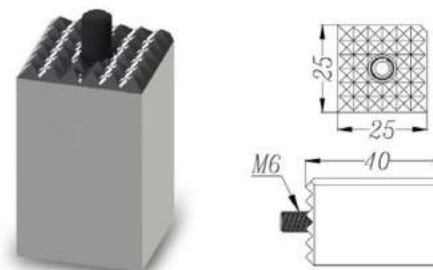
Angle holder 15x15mm

**A2525L**



Angle holder 25x25mm

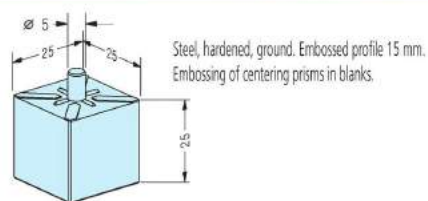
**M0002**



品名: 25型尖齒方塊 25mm Sharp Tooth Rod

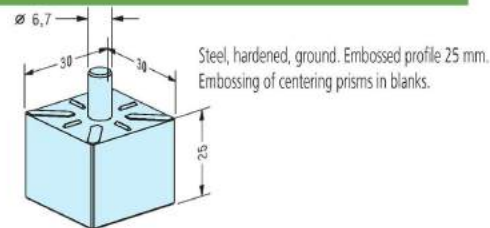
| 規格參數表 SPECIFICATION |   |
|---------------------|---|
| 規格 SIZE             | 25x25x40mm                              |
| 主體材料 MATERIAL       | 420 不銹鋼 48-52HRC<br>Stainless Steel 420 |

**003422**



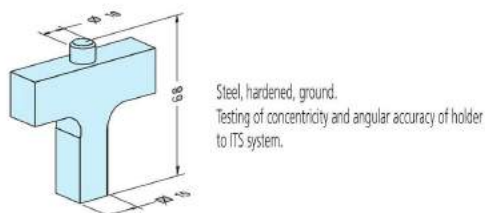
Prism die size 15

**003489**



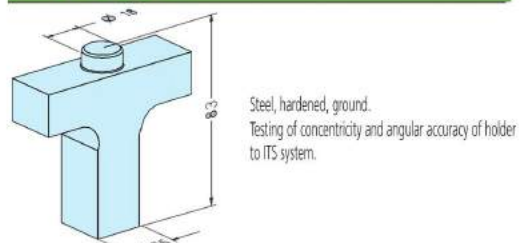
Prism die size 25

**010495**




square 15 alignment rail

**010592**



square 25 alignment rail

| Code             | Description                               |
|------------------|---|
| M0003-ER32       | ER32 collet holder                        |
| M0003-ER20       | ER20 collet holder                        |
| M0003-ER16       | ER16 collet holder                        |
| ER32 collets set | 1 set include 18pcs collets from 3mm~20mm |



**V0002**



| 規格參數表 SPECIFICATION |  |
|---------------------|--|
| 規格<br>SIZE          | 130x100x80mm   |
| 主體材料<br>MATERIAL    | 420 不銹鋼 48-52HRC<br>Stainless Steel 420                          |
| 功能<br>APPLICATION   | 裝配G型定位片, 自鎖中心復位公差±0.1mm<br>With G Plate, Center Tolerance ±0.1mm |

品名: 中心卡盤 Center Vice

**V0003**



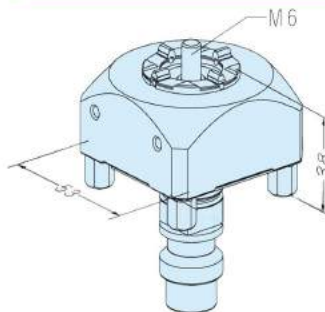
| 規格參數表 SPECIFICATION |   |
|---------------------|---|
| 規格<br>Name          | 170x95x60mm   |
| 主體材料<br>Material    | 420 不銹鋼 48-52HRC<br>Stainless Steel 420                     |
| 功能<br>Function      | 可事先預調, 裝配G型定位片<br>Able to Pre-adjust, Assemble With G Plate |
| 應用<br>Application   | 適用於測量, EDM或CMM機床, 不適用CNC加工<br>Suitable for EDM, CMM         |

品名: 磁盤夾具 Magnetic Pallet



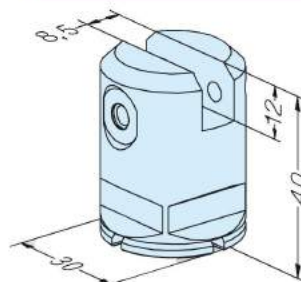
100% compatible with EROWA and 3R

**020487**



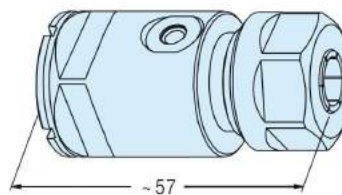
Compact ITS adapter

**017532**



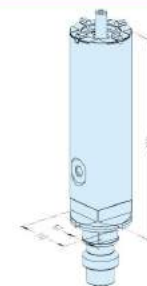
Compact Uniholder

**034045**



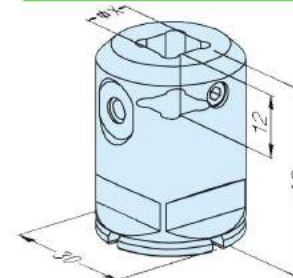
Compact ER16 Collet Chuck Holder

**017982**



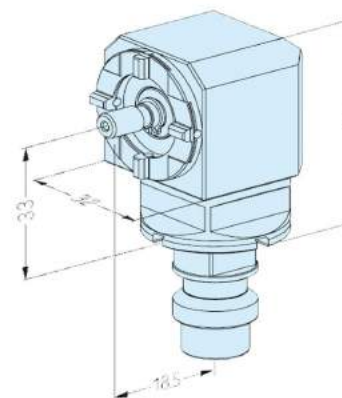
Compact extension 100 mm

**017529**



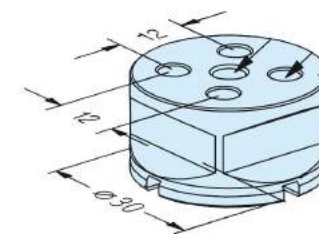
Compact Prisround

**017984**



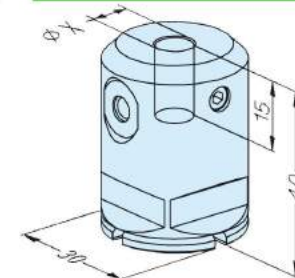
Compact angle chuck

**029015**



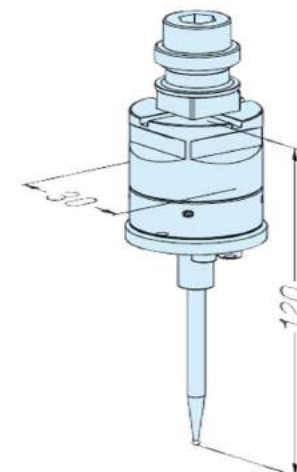
Compact standard holder H=16

**017534**



Compact electrode holder X=8~16mm

**019474**

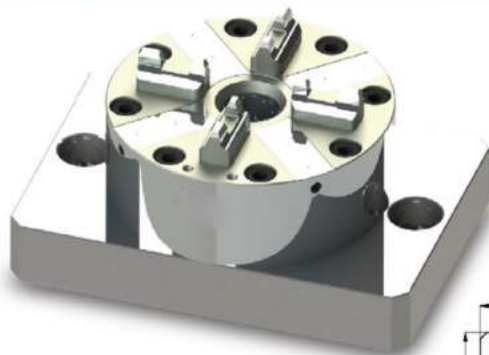


Compact probe with ball D2 D5

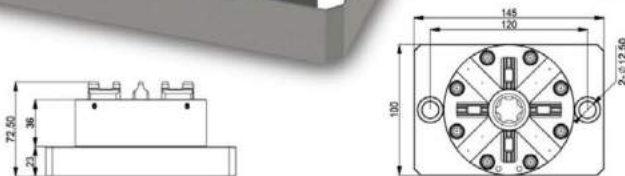
100% compatible with EROWA and 3R



### G0001

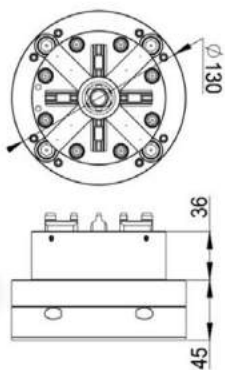
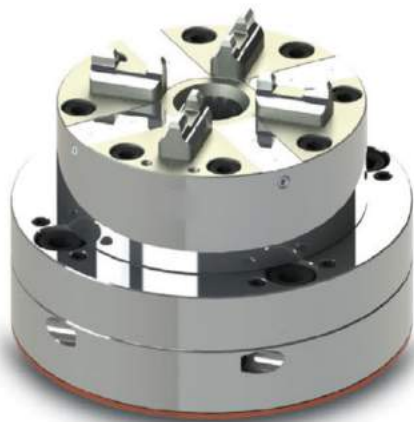


| 規格參數表 SPECIFICATION       |   |
|---------------------------|---|
| 規格 SIZE                   | 145x100x72.5mm                                    |
| 主體材料 MATERIAL             | 日本優質鉻鋼 57-60HRC<br>NIPPON STAINLESS STEEL         |
| 使用壓力 AIR PRESSURE REQUIRE | 6公斤, 帶吹氣清潔功能<br>6 Bar, with AIR CLEANING FUNCTION |
| 鎖緊力 FORCE POWER           | 10000牛頓<br>10000N                                 |



品名: D100 CNC氣動卡盤 CNC PNEUMATIC CHUCK D100

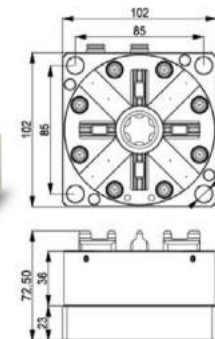
### G0002



| 規格參數表 SPECIFICATION       |   |
|---------------------------|---|
| 規格 SIZE                   | ∅130x81mm   |
| 主體材料 MATERIAL             | 日本優質鉻鋼 57-60HRC<br>NIPPON STAINLESS STEEL         |
| 使用壓力 AIR PRESSURE REQUIRE | 6公斤, 帶吹氣清潔功能<br>6 Bar, with AIR CLEANING FUNCTION |
| 鎖緊力 FORCE POWER           | 10000牛頓<br>10000N                                 |

品名: D100 EDM氣動卡盤 EDM PNEUMATIC CHUCK D100

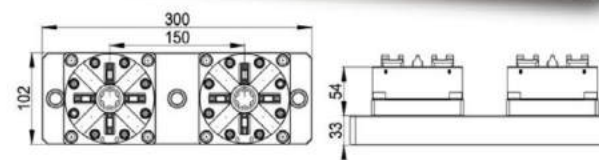
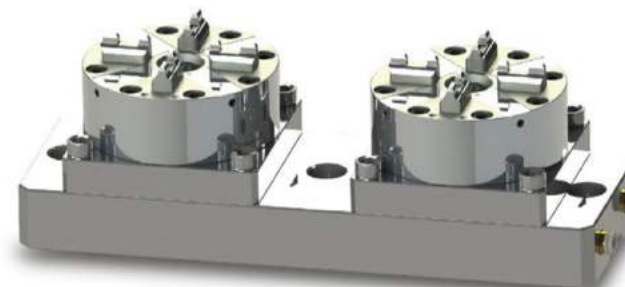
### G0003



| 規格參數表 SPECIFICATION       |   |
|---------------------------|---|
| 規格 SIZE                   | 102x102x72.5mm                                    |
| 主體材料 MATERIAL             | 日本優質鉻鋼 57-60HRC<br>NIPPON STAINLESS STEEL         |
| 使用壓力 AIR PRESSURE REQUIRE | 6公斤, 帶吹氣清潔功能<br>6 Bar, with AIR CLEANING FUNCTION |
| 鎖緊力 FORCE POWER           | 10000牛頓<br>10000N                                 |

品名: D100 氣動卡盤(配多用途底板) PNEUMATIC CHUCK D100(with functional base)

### G0004



| 規格參數表 SPECIFICATION       |   |
|---------------------------|---|
| 規格 SIZE                   | 300x102x87mm                                      |
| 主體材料 MATERIAL             | 日本優質鉻鋼 57-60HRC<br>NIPPON STAINLESS STEEL         |
| 使用壓力 AIR PRESSURE REQUIRE | 6公斤, 帶吹氣清潔功能<br>6 Bar, with AIR CLEANING FUNCTION |
| 鎖緊力 FORCE POWER           | 10000牛頓<br>10000N                                 |
| 氣閥控制 Switch               | 1控2 (即1個開關控制2個卡盤)<br>2 chucks control by 1 switch |

品名: D100 2頭CNC氣動卡盤(配多用途底板)  
2 IN 1 CNC PNEUMATIC CHUCK D100

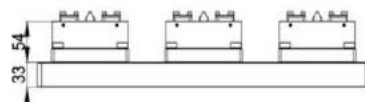
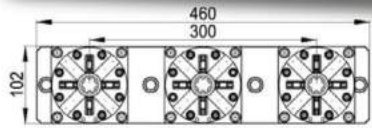


100% compatible with EROWA and 3R



100% compatible with EROWA and 3R

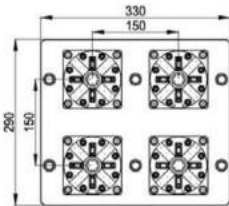
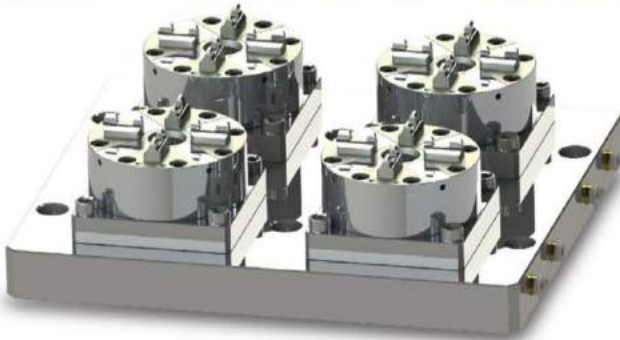
**G0005**



| 規格參數表 SPECIFICATION       |   |
|---------------------------|---|
| 規格 SIZE                   | 460x102x87mm                                      |
| 主體材料 MATERIAL             | 日本優質鉻鋼 57-60HRC<br>NIPPON STAINLESS STEEL         |
| 使用壓力 AIR PRESSURE REQUIRE | 6公斤, 帶吹氣清潔功能<br>6 Bar, with AIR CLEANING FUNCTION |
| 鎖緊力 FORCE POWER           | 10000牛頓<br>10000N                                 |
| 氣閥控制 Switch               | 1控3 (即1個開關控制3個卡盤)<br>3 chucks control by 1 switch |

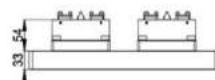
品名: D100 3頭CNC氣動卡盤 3 IN 1 CNC PNEUMATIC CHUCK D100

**G0006**

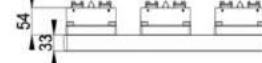
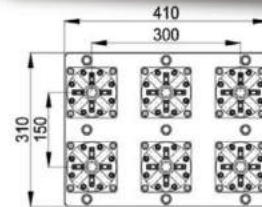
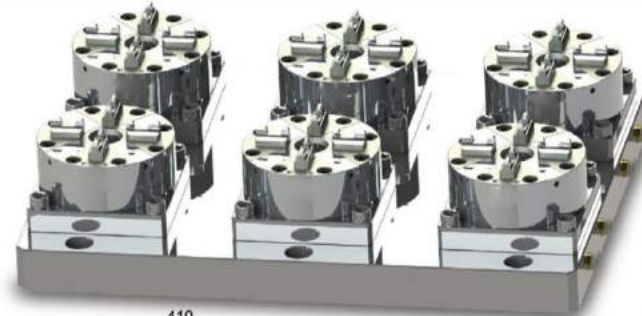


| 規格參數表 SPECIFICATION       |   |
|---------------------------|---|
| 規格 SIZE                   | 330X290x87mm                                      |
| 主體材料 MATERIAL             | 日本優質鉻鋼 57-60HRC<br>NIPPON STAINLESS STEEL         |
| 使用壓力 AIR PRESSURE REQUIRE | 6公斤, 帶吹氣清潔功能<br>6 Bar, with AIR CLEANING FUNCTION |
| 鎖緊力 FORCE POWER           | 10000牛頓<br>10000N                                 |
| 氣閥控制 Switch               | 2控4 (即1個開關控制2個卡盤)<br>4 chucks control by 2 switch |

品名: D100 4頭CNC氣動卡盤  
4 IN 1 CNC PNEUMATIC CHUCK D100



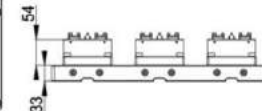
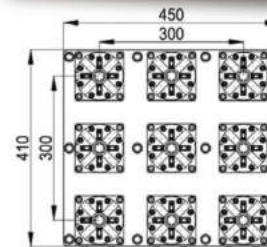
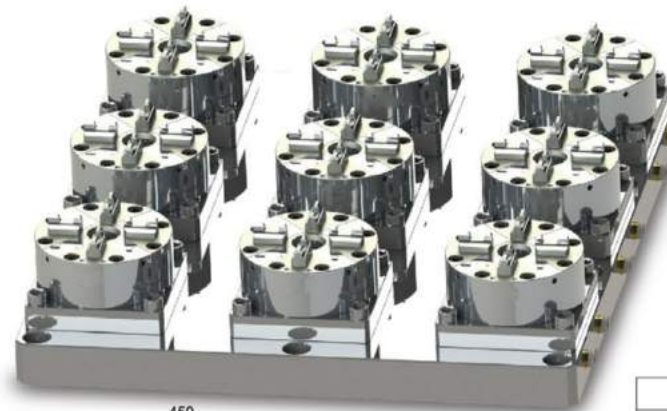
**G0007**



| 規格參數表 SPECIFICATION       |   |
|---------------------------|---|
| 規格 SIZE                   | 410X310x87mm                                      |
| 主體材料 MATERIAL             | 日本優質鉻鋼 57-60HRC<br>NIPPON STAINLESS STEEL         |
| 使用壓力 AIR PRESSURE REQUIRE | 6公斤, 帶吹氣清潔功能<br>6 Bar, with AIR CLEANING FUNCTION |
| 鎖緊力 FORCE POWER           | 10000牛頓<br>10000N                                 |
| 氣閥控制 Switch               | 2控6 (即1個開關控制3個卡盤)<br>6 chucks control by 2 switch |

品名: D100 6頭CNC氣動卡盤 6 IN 1 CNC PNEUMATIC CHUCK D100

**G0008**

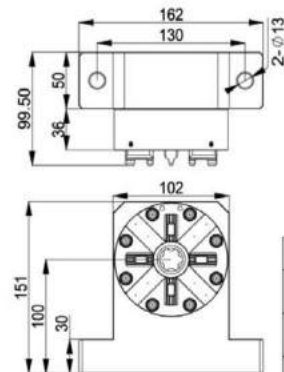
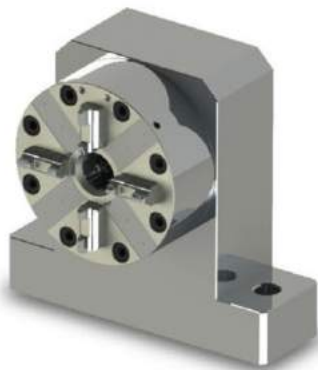


| 規格參數表 SPECIFICATION       |   |
|---------------------------|---|
| 規格 SIZE                   | 450X410x87mm                                      |
| 主體材料 MATERIAL             | 日本優質鉻鋼 57-60HRC<br>NIPPON STAINLESS STEEL         |
| 使用壓力 AIR PRESSURE REQUIRE | 6公斤, 帶吹氣清潔功能<br>6 Bar, with AIR CLEANING FUNCTION |
| 鎖緊力 FORCE POWER           | 10000牛頓<br>10000N                                 |
| 氣閥控制 Switch               | 3控9 (即1個開關控制3個卡盤)<br>3 chucks control by 1 switch |

品名: D100 9頭CNC氣動卡盤 9 IN 1 CNC PNEUMATIC CHUCK D100



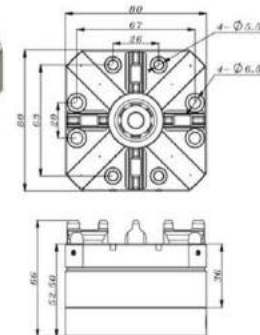
**G0009**



| 規格參數表 SPECIFICATION       |   |
|---------------------------|---|
| 規格 SIZE                   | 162x99.5x151mm                                    |
| 主體材料 MATERIAL             | 日本優質鉻鋼 57-60HRC<br>NIPPON STAINLESS STEEL         |
| 使用壓力 AIR PRESSURE REQUIRE | 6公斤, 帶吹氣清潔功能<br>6 Bar, with AIR CLEANING FUNCTION |
| 鎖緊力 FORCE POWER           | 10000牛頓<br>10000N                                 |

品名: D100 曲頭氣動卡盤  
D100 Vertical Pneumatic Chuck

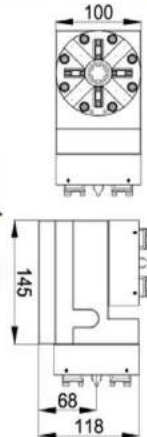
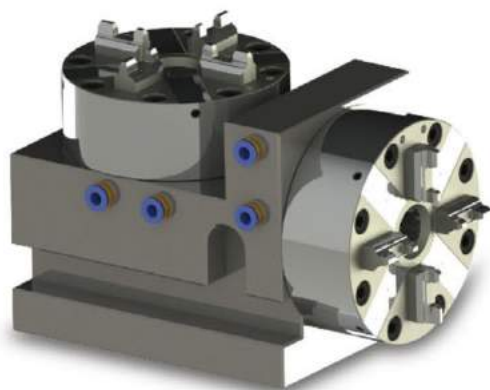
**E0001**



| 規格參數表 SPECIFICATION       |   |
|---------------------------|---|
| 規格 SIZE                   | 80X80X66mm  |
| 主體材料 MATERIAL             | 日本優質鉻鋼 57-60HRC<br>NIPPON STAINLESS STEEL         |
| 使用壓力 AIR PRESSURE REQUIRE | 6公斤, 帶吹氣清潔功能<br>6 Bar, with AIR CLEANING FUNCTION |
| 鎖緊力 FORCE POWER           | 6000牛頓<br>6000N                                   |

品名: 80方型單頭氣動卡盤 80 mm Square Pneumatic Chuck

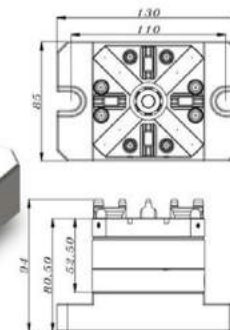
**G0010**



| 規格參數表 SPECIFICATION       |   |
|---------------------------|---|
| 規格 SIZE                   | 145x100x118mm                                     |
| 主體材料 MATERIAL             | 日本優質鉻鋼 57-60HRC<br>NIPPON STAINLESS STEEL         |
| 使用壓力 AIR PRESSURE REQUIRE | 6公斤, 帶吹氣清潔功能<br>6 Bar, with AIR CLEANING FUNCTION |
| 鎖緊力 FORCE POWER           | 10000牛頓<br>10000N                                 |

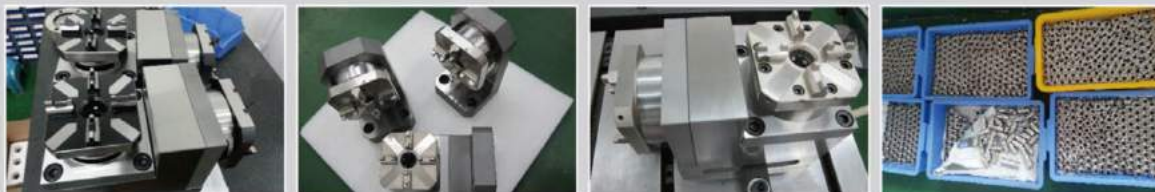
品名: D100 橫立氣動卡盤  
D100 Horizontal & Vertical Pneumatic Chuck

**E0005**

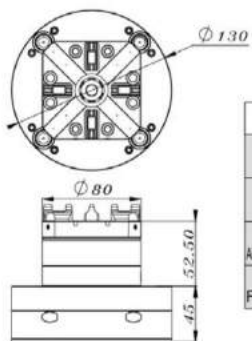


| 規格參數表 SPECIFICATION       |   |
|---------------------------|---|
| 規格 SIZE                   | 130x85x94mm                                       |
| 主體材料 MATERIAL             | 日本優質鉻鋼 57-60HRC<br>NIPPON STAINLESS STEEL         |
| 使用壓力 AIR PRESSURE REQUIRE | 6公斤, 帶吹氣清潔功能<br>6 Bar, with AIR CLEANING FUNCTION |
| 鎖緊力 FORCE POWER           | 6000牛頓<br>6000N                                   |

品名: 80方型CNC氣動卡盤 80 mm Square CNC Pneumatic Chuck



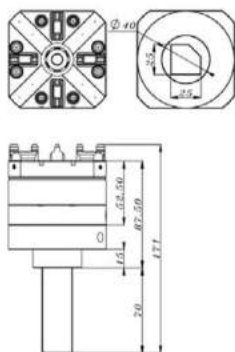
**E0008**



| 規格參數表 SPECIFICATION       |   |
|---------------------------|---|
| 規格 SIZE                   | φ130x97.5mm                                       |
| 主體材料 MATERIAL             | 日本優質鉻鋼 57-60HRC<br>NIPPON STAINLESS STEEL         |
| 使用壓力 AIR PRESSURE REQUIRE | 6公斤, 帶吹氣清潔功能<br>6 Bar, with AIR CLEANING FUNCTION |
| 鎖緊力 FORCE POWER           | 6000牛頓<br>6000N                                   |

品名: 80方型EDM氣動卡盤 80mm EDM Pneumatic Chuck

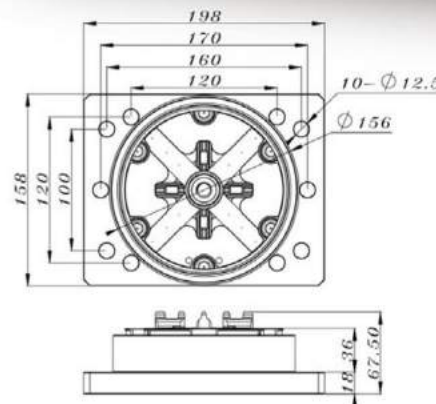
**E0009**



| 規格參數表 SPECIFICATION       |   |
|---------------------------|---|
| 規格 SIZE                   | 80x80x171mm                                       |
| 主體材料 MATERIAL             | 日本優質鉻鋼 57-60HRC<br>NIPPON STAINLESS STEEL         |
| 使用壓力 AIR PRESSURE REQUIRE | 6公斤, 帶吹氣清潔功能<br>6 Bar, with AIR CLEANING FUNCTION |
| 鎖緊力 FORCE POWER           | 6000牛頓<br>6000N                                   |

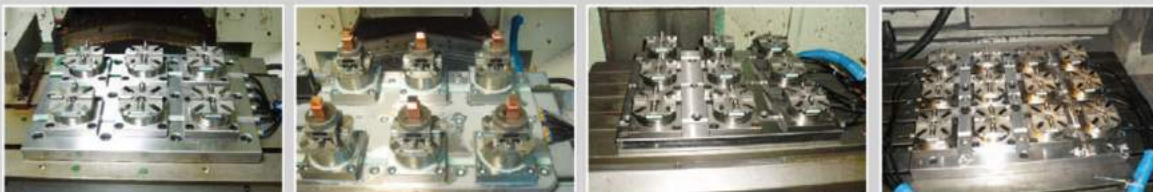
品名: 80方型EDM氣動卡盤(帶連接杆)  
80 mm Square EDM Pneumatic Chuck(With Connecting Rod)

**R0001**

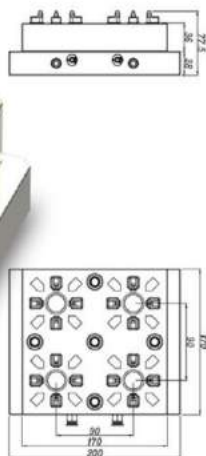


| 規格參數表 SPECIFICATION       |   |
|---------------------------|---|
| 規格 SIZE                   | 198x158x67.5mm                                    |
| 主體材料 MATERIAL             | 日本優質鉻鋼 57-60HRC<br>NIPPON STAINLESS STEEL         |
| 使用壓力 AIR PRESSURE REQUIRE | 6公斤, 帶吹氣清潔功能<br>6 Bar, with AIR CLEANING FUNCTION |
| 鎖緊力 FORCE POWER           | 15000牛頓<br>15000N                                 |

品名: D150氣動卡盤  
D150 Pneumatic Chuck With Base



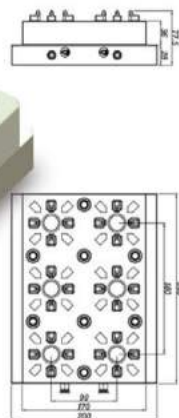
**F0002**



| 規格參數表 SPECIFICATION       |   |
|---------------------------|---|
| 規格 SIZE                   | 200x170x77.5mm                                    |
| 主體材料 MATERIAL             | 日本優質鉻鋼 57-60HRC<br>NIPPON STAINLESS STEEL         |
| 使用壓力 AIR PRESSURE REQUIRE | 6公斤, 帶吹氣清潔功能<br>6 Bar, with AIR CLEANING FUNCTION |
| 鎖緊力 FORCE POWER           | 6000牛頓<br>6000N                                   |
| 氣閥控制 Switch               | 1控4 (即1個開關控制4個卡盤)<br>4 chucks control by 1 switch |

品名: 4頭小型氣動卡盤  
4 in 1 Tiny Pneumatic Chuck

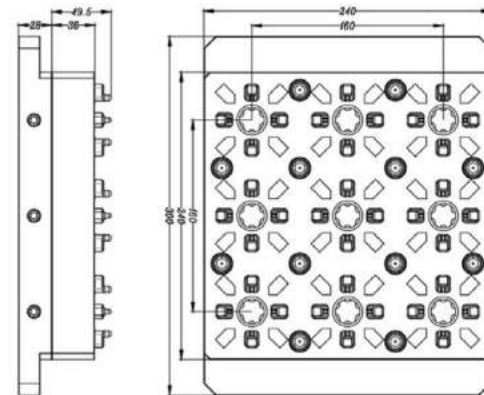
**F0003**



| 規格參數表 SPECIFICATION       |   |
|---------------------------|---|
| 規格 SIZE                   | 260x200x77.5mm  |
| 主體材料 MATERIAL             | 日本優質鉻鋼 57-60HRC<br>NIPPON STAINLESS STEEL                         |
| 使用壓力 AIR PRESSURE REQUIRE | 6公斤, 帶吹氣清潔功能<br>6 Bar, With AIR CLEANING FUNCTION                 |
| 鎖緊力 FORCE POWER           | 6000牛頓<br>6000N   |
| 氣閥控制 Switch               | 2控6 (即1個開關控制3個卡盤)<br>3 Chucks Control by 1 Switch, Total 2 Switch |

品名: 6頭小型氣動卡盤  
6 in 1 Tiny Pneumatic Chuck

**F0001**



| 規格參數表 SPECIFICATION       |   |
|---------------------------|---|
| 規格 SIZE                   | 300x240x77.5mm  |
| 主體材料 MATERIAL             | 日本優質鉻鋼 57-60HRC<br>NIPPON STAINLESS STEEL                         |
| 使用壓力 AIR PRESSURE REQUIRE | 6公斤, 帶吹氣清潔功能<br>6 Bar, with AIR CLEANING FUNCTION                 |
| 鎖緊力 FORCE POWER           | 6000牛頓<br>6000N   |
| 氣閥控制 Switch               | 3控9 (即1個開關控制3個卡盤)<br>3 Chucks Control By 1 Switch, Total 3 Switch |

品名: 9頭小型氣動卡盤 9 in 1 Tiny Pneumatic Chuck

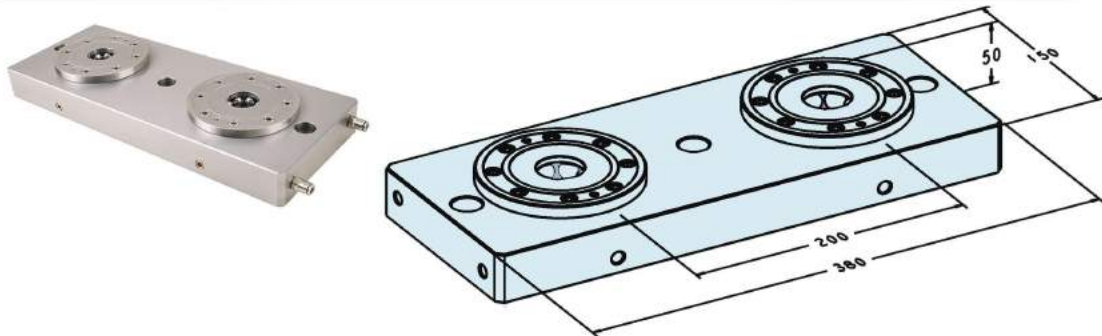


100% compatible with EROWA and 3R



100% compatible with EROWA and 3R

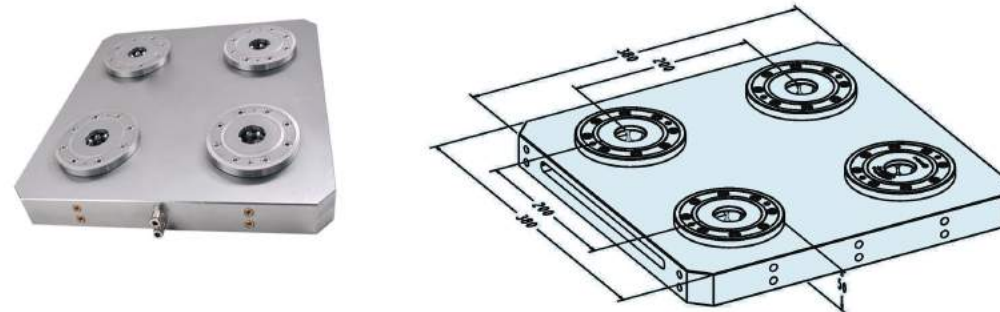
**ZP002**



Base plate, steel, unhardened; set-up distance 200mm  
 Lateral, to open: pneumatic  
 To accommodate double pallets.for direct assembly on machine tables  
 Attachment boreholes can be drilled by customers  
 Do not drill through any air or oil ducts

**pneumatic zeropoint chuck 2fold**

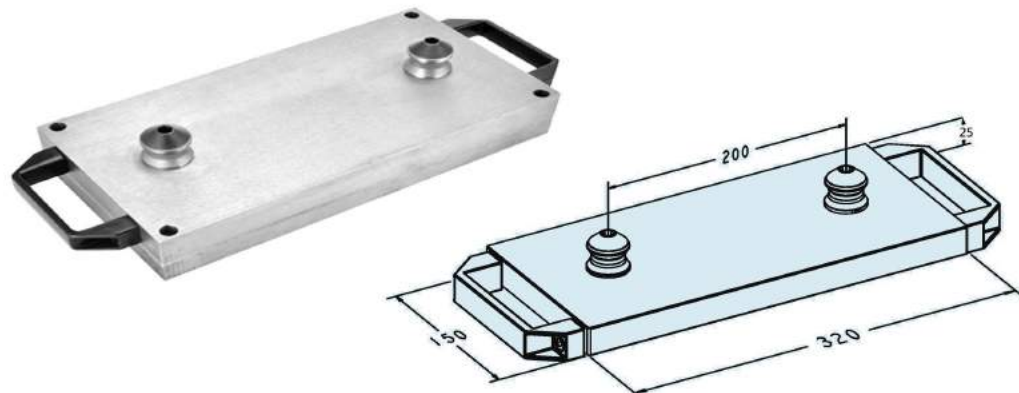
**ZP004**



Base plate, steel, unhardened; set-up distance 200mm  
 Lateral, to open: pneumatic  
 To accommodate double pallets.for direct assembly on machine tables  
 Attachment boreholes can be drilled by customers  
 Do not drill through any air or oil ducts

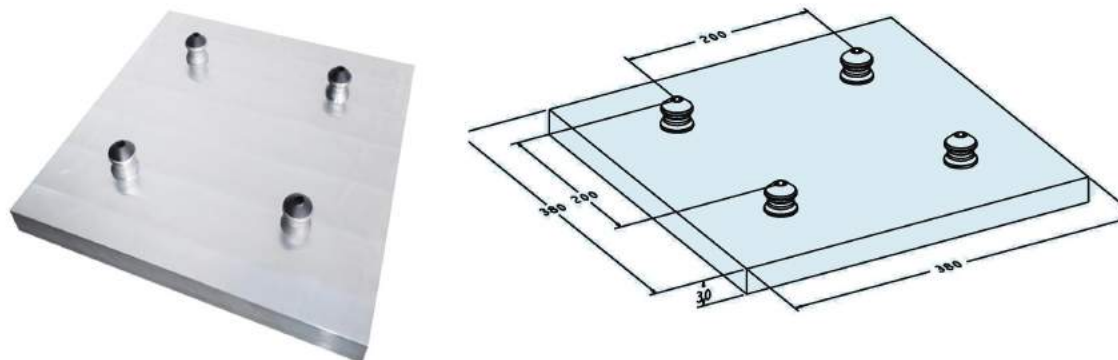
**pneumatic zeropoint chuck 4fold**

**ZP002P**



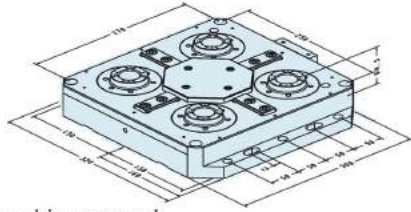
**Aluminum pallet 2fold**

**ZP004P**



**Aluminum pallet 4fold**

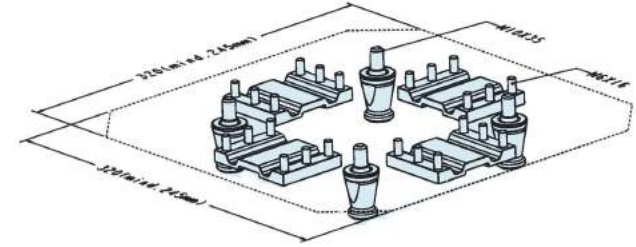
**UPC01**



Chuck for high machining forces during chip removal.  
Through the base and on the side.  
On milling, grinding, and drilling centers and in production lines.

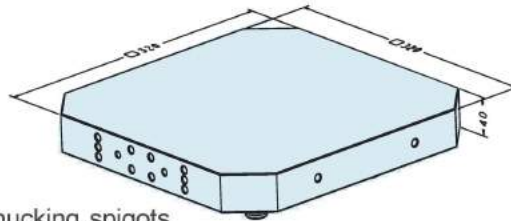
**universal power chuck**

**UPC04**



**centering segments for UPC01**

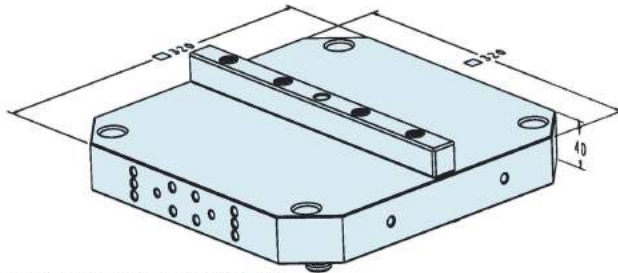
**UPC02**



Aluminum, centering segments and chucking spigots fitted. Hand Z-support.  
To clamp workpieces and gauges.  
Holes to be drilled as required.

**Aluminum pallet for UPC01**

**UPC03**

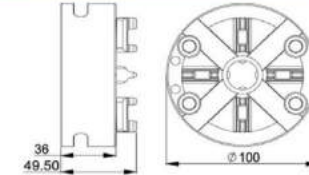


To align angular position and to determine the center of UPC chucks.  
System parallelism <math>< 0.005 \text{ mm}</math>.  
Borehole concentricity <math>< 0.005 \text{ mm}</math>.

**Alignment rail for UPC01**

100% compatible with EROWA and 3R

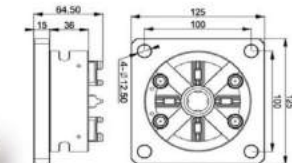
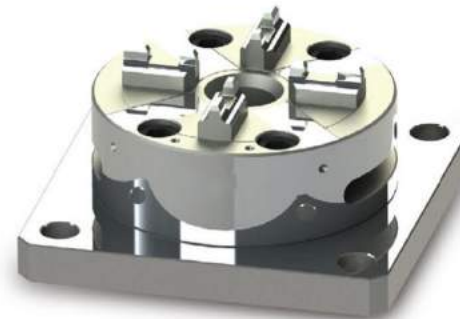
**K0010**



| 規格參數表 SPECIFICATION |   |
|---------------------|---|
| 規格 SIZE             | Φ100x49.5mm   |
| 主體材料 MATERIAL       | 日本優質鉻鋼 57-60 HRC<br>NIPPON STAINLESS STEEL  |
| 鎖緊力 FORCE POWER     | 6000牛頓<br>6000N   |
| 附帶配件 Included       |  不銹鋼手柄 x1<br>Stainless Steel Handle x1 pcs |

品名: D100單頭手動卡盤  
Manual Chuck D100(Quick Chuck 100P)

**K0011**

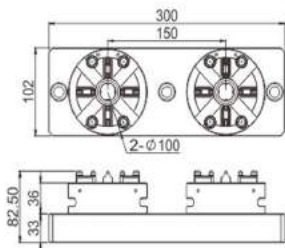
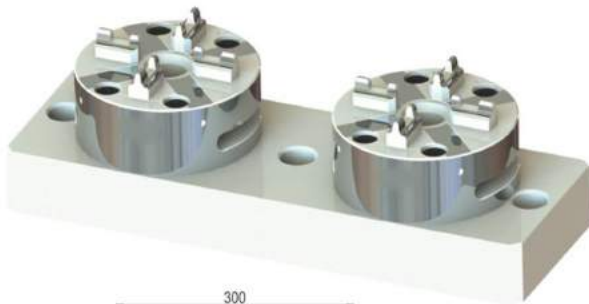


| 規格參數表 SPECIFICATION |   |
|---------------------|---|
| 規格 SIZE             | 125x125x64.5mm  |
| 主體材料 MATERIAL       | 進口優質不銹鋼 57-60HRC<br>NIPPON STAINLESS STEEL  |
| 鎖緊力 FORCE POWER     | 6000牛頓<br>6000N   |
| 附帶配件 Included       |  附帶配件 x1<br>AL Plug x1 pcs  不銹鋼手柄 x1<br>Stainless Steel Handle x1 pcs |

品名: D100手動卡盤(配多用途底板)  
Manual Chuck D100 With Standard Base

100% compatible with EROWA and 3R

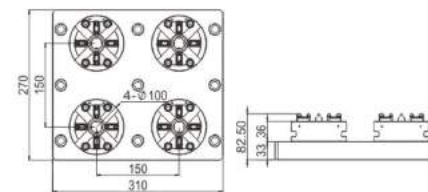
**K0016**



| 規格參數表 SPECIFICATION |   |
|---------------------|---|
| 規格 SIZE             | 300x102x82.5mm  |
| 主體材料 MATERIAL       | 進口優質不銹鋼 57-60HRC<br>NIPPON STAINLESS STEEL                            |
| 鎖緊力 FORCE POWER     | 10000牛頓<br>10000N   |
| 附帶配件 Included       | 防屑鉛塞 x 2<br>AL Plug x2 pcs 不銹鋼手柄 x 2<br>Stainless Steel Handle x2 pcs |

2 fold manual chuck D100 with base

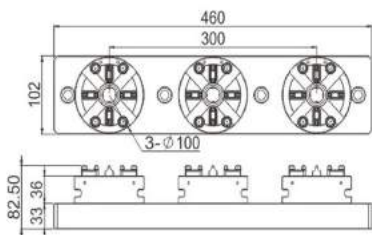
**K0018**



| 規格參數表 SPECIFICATION |   |
|---------------------|---|
| 規格 SIZE             | 270x310x82.5mm  |
| 主體材料 MATERIAL       | 進口優質不銹鋼 57-60HRC<br>NIPPON STAINLESS STEEL                            |
| 鎖緊力 FORCE POWER     | 10000牛頓<br>10000N   |
| 附帶配件 Included       | 防屑鉛塞 x 4<br>AL Plug x4 pcs 不銹鋼手柄 x 4<br>Stainless Steel Handle x4 pcs |

4 fold manual chuck D100 with base

**K0017**

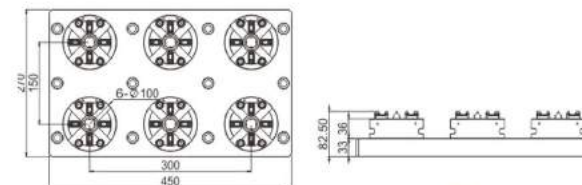


| 規格參數表 SPECIFICATION |   |
|---------------------|---|
| 規格 SIZE             | 460x102x82.5mm  |
| 主體材料 MATERIAL       | 進口優質不銹鋼 57-60HRC<br>NIPPON STAINLESS STEEL                            |
| 鎖緊力 FORCE POWER     | 10000牛頓<br>10000N   |
| 附帶配件 Included       | 防屑鉛塞 x 3<br>AL Plug x3 pcs 不銹鋼手柄 x 3<br>Stainless Steel Handle x3 pcs |

3 fold manual chuck D100 with base

100% compatible with EROWA and 3R

**K0019**



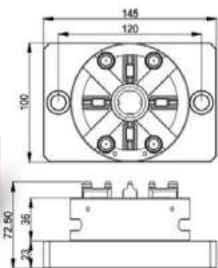
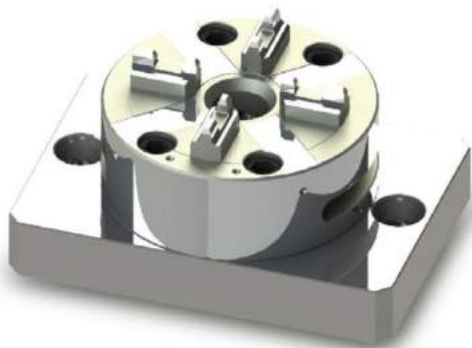
| 規格參數表 SPECIFICATION |   |
|---------------------|---|
| 規格 SIZE             | 270x450x82.5mm  |
| 主體材料 MATERIAL       | 進口優質不銹鋼 57-60HRC<br>NIPPON STAINLESS STEEL                            |
| 鎖緊力 FORCE POWER     | 10000牛頓<br>10000N   |
| 附帶配件 Included       | 防屑鉛塞 x 6<br>AL Plug x6 pcs 不銹鋼手柄 x 6<br>Stainless Steel Handle x6 pcs |

6 fold manual chuck D100 with base

100% compatible with EROWA and 3R



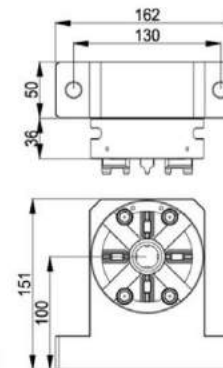
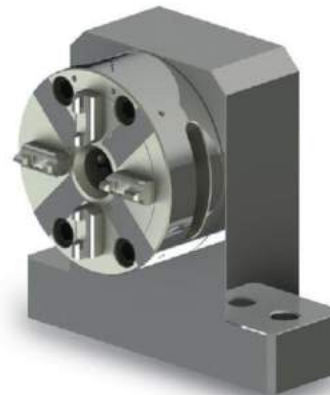
**K0012**



| 規格參數表 SPECIFICATION |  |
|---------------------|--|
| 規格 SIZE             | 145x100x72.5mm   |
| 主體材料 MATERIAL       | 進口優質不銹鋼 57-60HRC<br>NIPPON STAINLESS STEEL                             |
| 鎖緊力 FORCE POWER     | 6000牛頓<br>6000N  |
| 附帶配件 Included       | 防磨鉛塞 x1<br>AL Plug x1 pcs<br>不銹鋼手柄 x1<br>Stainless Steel Handle x1 pcs |

品名: D100 CNC手動卡盤  
Manual Chuck D100 With CNC Base

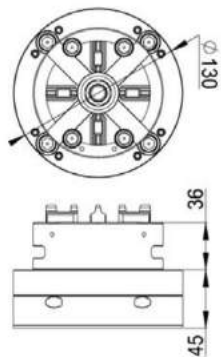
**K0014**



| 規格參數表 SPECIFICATION |  |
|---------------------|--|
| 規格 SIZE             | 162x86x151mm   |
| 主體材料 MATERIAL       | 進口優質不銹鋼 57-60HRC<br>NIPPON STAINLESS STEEL                             |
| 鎖緊力 FORCE POWER     | 6000牛頓<br>6000N  |
| 附帶配件 Included       | 防磨鉛塞 x1<br>AL Plug x1 pcs<br>不銹鋼手柄 x1<br>Stainless Steel Handle x1 pcs |

品名: D100曲頭手動卡盤 Vertical Manual Chuck D100

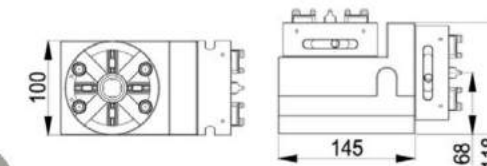
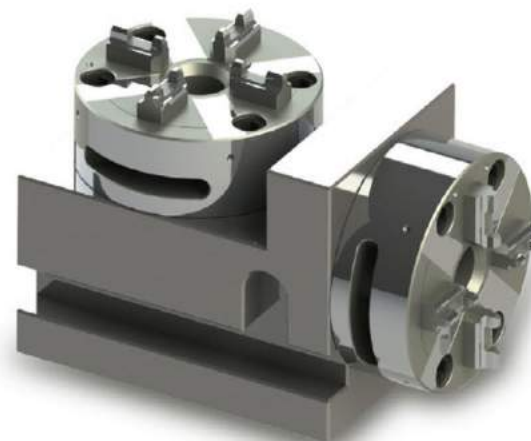
**K0013**



| 規格參數表 SPECIFICATION |  |
|---------------------|--|
| 規格 SIZE             | Φ130x81mm                                  |
| 主體材料 MATERIAL       | 進口優質不銹鋼 57-60HRC<br>NIPPON STAINLESS STEEL |
| 鎖緊力 FORCE POWER     | 6000牛頓<br>6000N                            |
| 附帶配件 Included       | 不銹鋼手柄 x1<br>Stainless Steel Handle x1 pcs  |

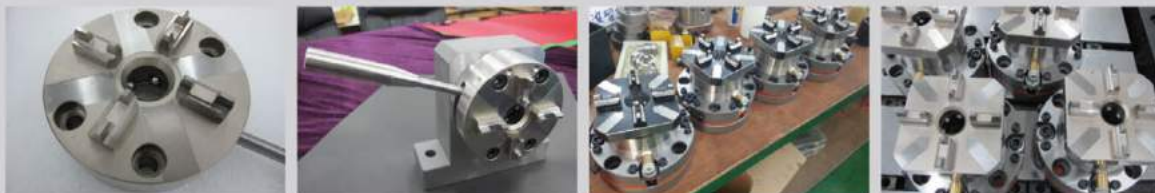
品名: D100 EDM手動卡盤  
Manual Chuck D100 With EDM Base

**K0015**

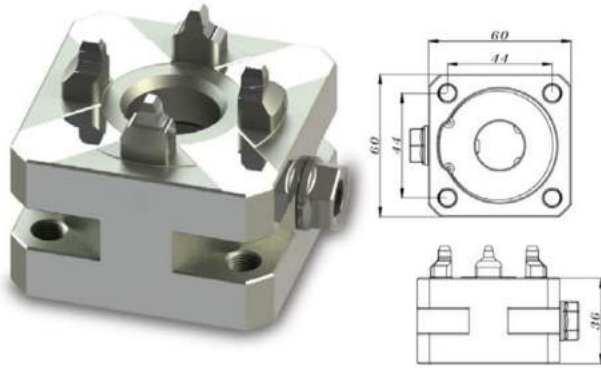


| 規格參數表 SPECIFICATION |  |
|---------------------|--|
| 規格 SIZE             | 145x100x118mm  |
| 主體材料 MATERIAL       | 進口優質不銹鋼 57-60HRC<br>NIPPON STAINLESS STEEL                             |
| 鎖緊力 FORCE POWER     | 6000牛頓<br>6000N  |
| 附帶配件 Included       | 防磨鉛塞 x2<br>AL Plug x2 pcs<br>不銹鋼手柄 x2<br>Stainless Steel Handle x2 pcs |

品名: D100橫立手動卡盤  
Horizontal & Vertical Manual Chuck D100



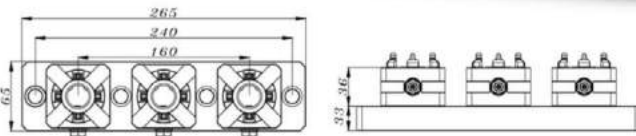
**S0001**



品名: 小型手動卡盤(螺絲鎖緊)  
Manual Chuck D50(Screw Locking)

| 規格參數表 SPECIFICATION |   |
|---------------------|---|
| 規格 SIZE             | 60x60x36mm  |
| 主體材料 MATERIAL       | 進口優質不銹鋼 57-60 HRC<br>NIPPON STAINLESS STEEL                     |
| 鎖緊力 FORCE POWER     | 4500牛頓<br>4500N   |
| 應用 Application      | 最新設計, 用六角匙鎖緊不易鬆脫,<br>適用各類機床<br>Latest Design, Not Easy To Loose |

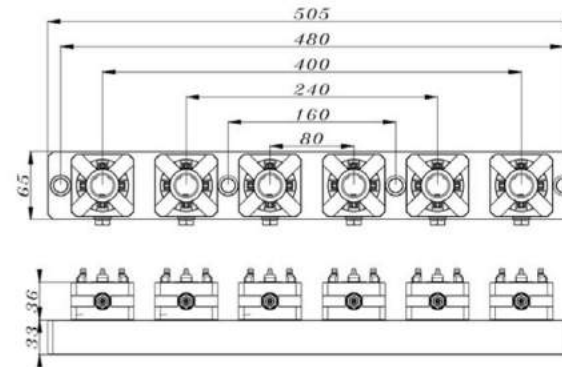
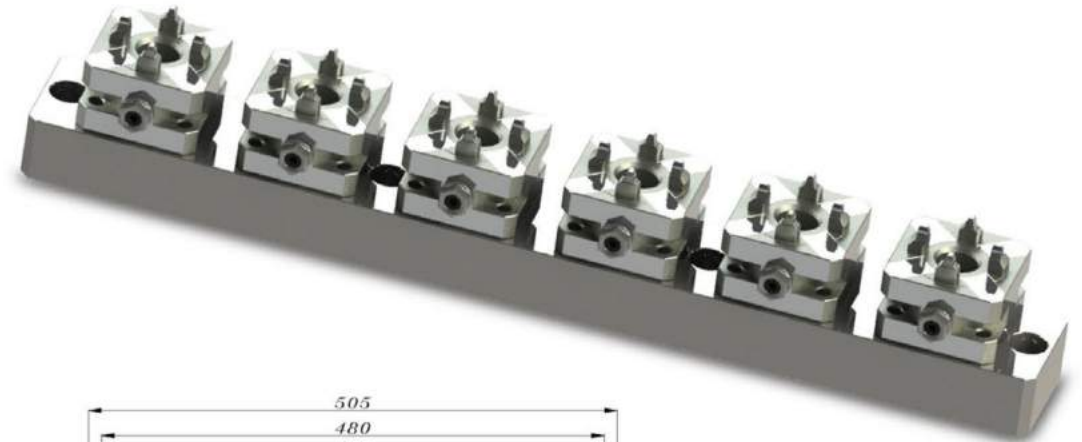
**S0002**



品名: 3頭小型手動卡盤(螺絲鎖緊)  
3 in 1 Manual Chuck D50(Screw Locking)

| 規格參數表 SPECIFICATION |   |
|---------------------|---|
| 規格 SIZE             | 265x65x69mm                                 |
| 主體材料 MATERIAL       | 進口優質不銹鋼 57-60 HRC<br>NIPPON STAINLESS STEEL |
| 鎖緊力 FORCE POWER     | 4500牛頓<br>4500N                             |

**S0003**

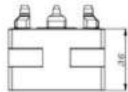
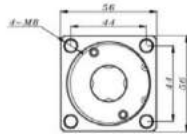


品名: 6頭小型手動卡盤(螺絲鎖緊)  
6 in 1 Manual Chuck D50 (Screw Locking)

| 規格參數表 SPECIFICATION |  |
|---------------------|--|
| 規格 SIZE             | 505x65x69mm                                |
| 主體材料 MATERIAL       | 進口優質不銹鋼 57-60HRC<br>NIPPON STAINLESS STEEL |
| 鎖緊力 FORCE POWER     | 4500牛頓<br>4500N                            |



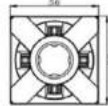
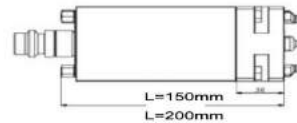
**L0001**



| 規格參數表 SPECIFICATION |  |
|---------------------|--|
| 規格 SIZE             | 56x56x36mm                                 |
| 主體材料 MATERIAL       | 進口優質不銹鋼 57-60HRC<br>NIPPON STAINLESS STEEL |
| 鎖緊力 FORCE POWER     | 4000牛頓<br>4000N                            |
| 附帶配件 Included       | 不銹鋼手柄 x1<br>Stainless Steel Handle x1 pcs  |

品名：小型手動卡盤(手柄鎖緊)  
Quick Chuck 50

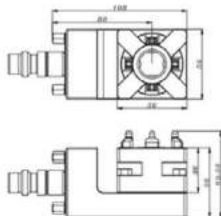
**L0003**



| 規格參數表 SPECIFICATION |   |
|---------------------|---|
| 規格 SIZE             | Lx56x56mm                                 |
| 主體材料 MATERIAL       | Aluminum                                  |
| 鎖緊力 FORCE POWER     | 4000牛頓<br>4000N                           |
| 附帶配件 Included       | 不銹鋼手柄 x1<br>Stainless Steel Handle x1 pcs |

品名：小型加長EDM手動卡盤(手柄鎖緊)  
Quick Chuck 50 With Extension Rod

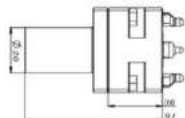
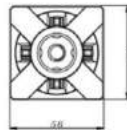
**L0005**



| 規格參數表 SPECIFICATION |  |
|---------------------|--|
| 規格 SIZE             | 56x69.5x108mm                              |
| 主體材料 MATERIAL       | 進口優質不銹鋼 57-60HRC<br>NIPPON STAINLESS STEEL |
| 鎖緊力 FORCE POWER     | 4000牛頓<br>4000N                            |
| 附帶配件 Included       | 不銹鋼手柄 x1<br>Stainless Steel Handle x1 pcs  |

品名：小型轉向EDM手動卡盤(手柄鎖緊)  
Vertical EDM Quick Chuck 50

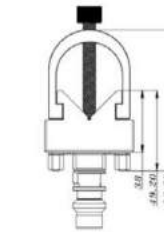
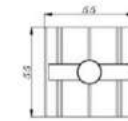
**L0006**



| 規格參數表 SPECIFICATION |  |
|---------------------|--|
| 規格 SIZE             | 56x56x91mm                                 |
| 主體材料 MATERIAL       | 進口優質不銹鋼 57-60HRC<br>NIPPON STAINLESS STEEL |
| 鎖緊力 FORCE POWER     | 4000牛頓<br>4000N                            |
| 附帶配件 Included       | 不銹鋼手柄 x1<br>Stainless Steel Handle x1 pcs  |

品名：小型EDM手動卡盤(手柄鎖緊-帶連接杆)  
Quick Chuck 50(With Connect Rod)

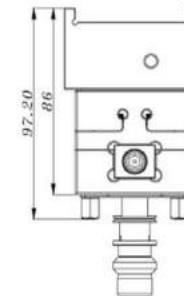
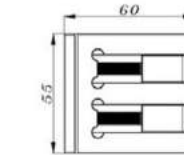
**T0001**



| 規格參數表 SPECIFICATION |  |
|---------------------|--|
| 規格 SIZE             | 55x55x86.5mm                                       |
| 主體材料 MATERIAL       | 420不銹鋼 50-53HRC<br>Stainless Steel 420             |
| 出廠要求 TOLERANCE      | 同心度 ± 0.005mm<br>Concentricity Tolerance ± 0.005mm |
| 應用 APPLICATION      | 適用EDM、WEDM機床<br>Suitable For EDM/WEDM              |

品名：V型座綫切割夾頭 V-Shape Wire Cut EDM Holder

**T0002**

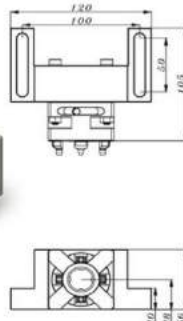
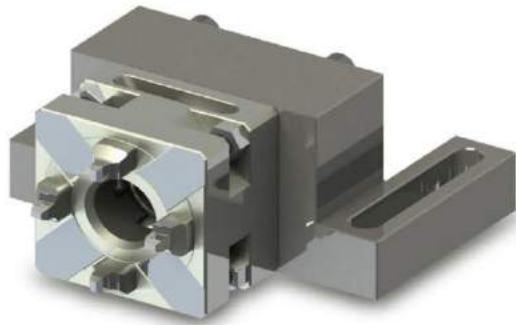


| 規格參數表 SPECIFICATION |  |
|---------------------|--|
| 規格 SIZE             | 60x55x97.2mm   |
| 主體材料 MATERIAL       | 420不銹鋼 50-53HRC<br>Stainless Steel 420                         |
| 功能 FUNCTION         | 3軸多向微調，夾持小型工件<br>3 Axes Fine Adjustment, To Hold The Workpiece |
| 應用 APPLICATION      | 適用WEDM機床<br>Suitable For WEDM                                  |

品名：3向微調綫切割夾具 3 Axes High Precision Control Jig



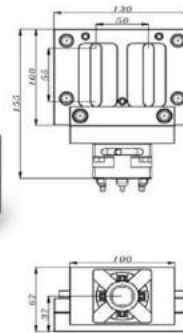
**T0003**



| 規格參數表 SPECIFICATION |  |
|---------------------|--|
| 規格 SIZE             | 120x150x56mm   |
| 主體材料 MATERIAL       | 進口優質不銹鋼 57-60HRC<br>NIPPON STAINLESS STEEL   |
| 鎖緊力 FORCE POWER     | 4000牛頓<br>4000N  |
| 附帶配件 INCLUDED       |  不銹鋼手柄 x1<br>Stainless Steel Handle x1 pcs |
| 應用 APPLICATION      | 適用EDM、WEDM機床<br>Suitable For EDM/WEDM  |

品名：固定式綫切割夾具 Fixed Wire-Cut EDM Chuck

**T0004**



| 規格參數表 SPECIFICATION |   |
|---------------------|---|
| 規格 SIZE             | 130x155x67mm  |
| 主體材料 MATERIAL       | 進口優質不銹鋼 57-60HRC<br>NIPPON STAINLESS STEEL  |
| 鎖緊力 FORCE POWER     | 4000牛頓<br>4000N   |
| 附帶配件 INCLUDED       |  不銹鋼手柄 x1<br>Stainless Steel Handle x1 pcs |
| 應用 APPLICATION      | 可微調，適用EDM、WEDM機床<br>Suitable For EDM/WEDM   |

品名：可調式綫切割夾具 Adjustable WEDM Chuck

**028471**



Angle clamping unit UnoSet

100% compatible with EROWA and 3R

**Q0009**



|             |  |
|-------------|--|
| 品名 Name     | Φ10膨脹定位銷<br>10 Expansion Positioning Pin |
| 規格 Size     | Φ10x30mm                                 |
| 材料 Material | 硬質不銹鋼<br>Stainless Steel                 |

**Q0010**



|             |  |
|-------------|--|
| 品名 Name     | Φ20膨脹定位銷<br>20 Expansion Positioning Pin |
| 規格 Size     | Φ20x50mm                                 |
| 材料 Material | 硬質不銹鋼<br>Stainless Steel                 |

**Q0011**



|         |                            |
|---------|----------------------------|
| 品名 Name | 1出4高身膠架<br>Shelf For 4 Pcs |
| 規格 Size | 120x120x45mm               |

**Q0005A**



|                |   |
|----------------|---|
| 品名 Name        | 電極校正頭 (高精度)<br>Electrode Calibration  |
| 規格 Size        | Ø100x110mm  |
| 應用 Application | 裝配90定位片，側推力20-30kg，偏移公差0.05mm<br>With Centering Plate 90, Side Thrust 20-30kg, Deviation 0.05mm |

**Q0013**



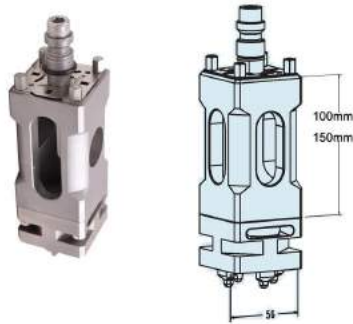
|                |  |
|----------------|--|
| 品名 Name        | 拉釘環<br>Replacing Ring for Spigot                   |
| 應用 Application | 損耗件，配合拉釘使用<br>To Replace The Consume Spigot's Ring |



100% compatible with EROWA and 3R

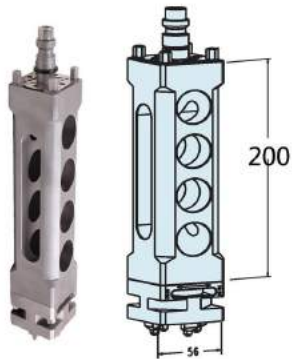
**L0100**

**L0150**



Stainless steel extension with quick chuck 50

**L0200**



Stainless steel extension with quick chuck 50

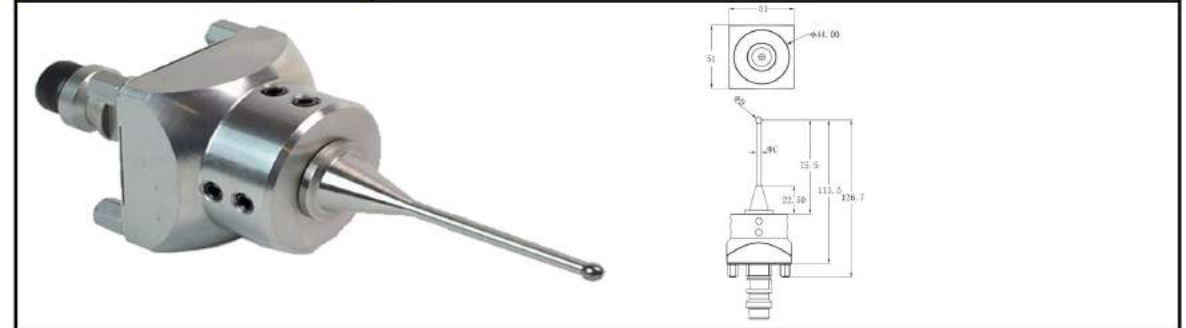
**LH200**



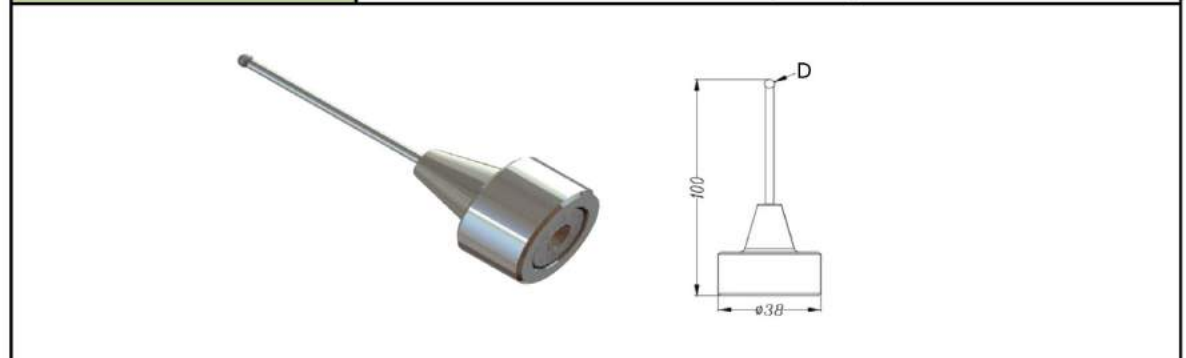
Horizontal extension 200mm

100% compatible with EROWA and 3R

| Code   | Description          |
|--------|----------------------|
| N00D3  | D3 centering sensor  |
| N00D4  | D4 centering sensor  |
| N00D5  | D5 centering sensor  |
| N00D6  | D6 centering sensor  |
| N00D8  | D8 centering sensor  |
| N00D10 | D10 centering sensor |

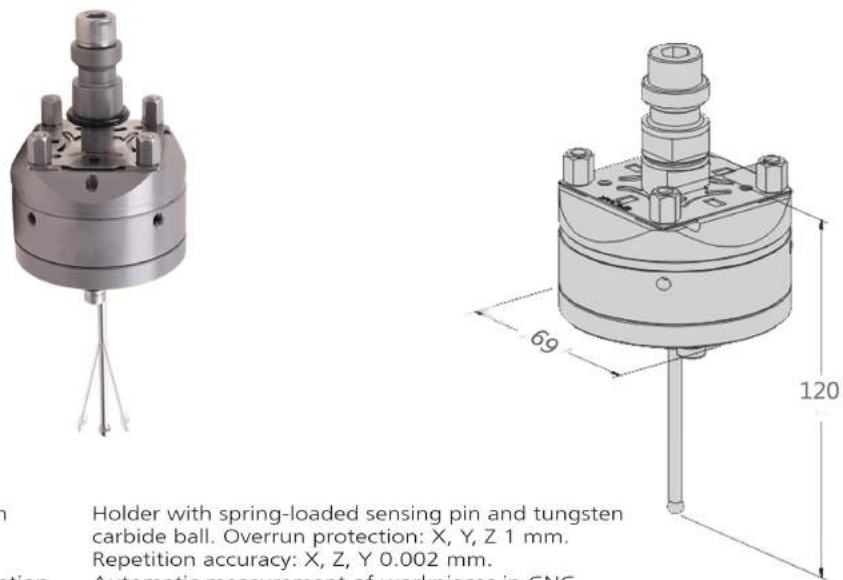


| Code   | Description             |
|--------|-------------------------|
| P00D3  | D3 ball magnetic probe  |
| P00D4  | D4 ball magnetic probe  |
| P00D5  | D5 ball magnetic probe  |
| P00D6  | D6 ball magnetic probe  |
| P00D8  | D8 ball magnetic probe  |
| P00D10 | D10 ball magnetic probe |



100% compatible with EROWA and 3R

**N0004B**



Version Holder with spring-loaded sensing pin and tungsten carbide ball. Overrun protection: X, Y, Z 1 mm. Repetition accuracy: X, Z, Y 0.002 mm.  
 Application Automatic measurement of workpieces in CNC EDM-sinking centers.

Spring Type Centering Sensor

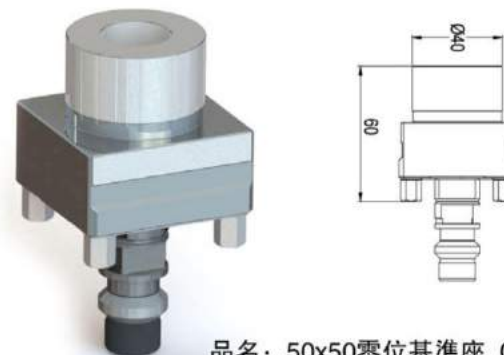
**Replacement pin**



ball 2mm 3mm 4mm 5mm 6mm available

100% compatible with EROWA and 3R

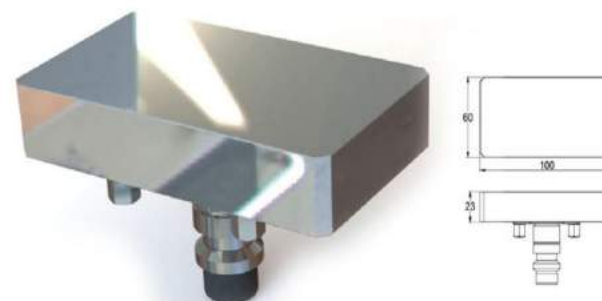
**N0005**



品名: 50x50零位基準座 Gauging Pin

| 規格參數表 SPECIFICATION |  |
|---------------------|--|
| 規格 Name             | 51x51x60mm   |
| 主體材料 Material       | 420不銹鋼 48-52HRC<br>Stainless Steel 420             |
| 出廠要求 Tolerance      | 同心度 ± 0.002mm<br>Concentricity Tolerance ± 0.002mm |

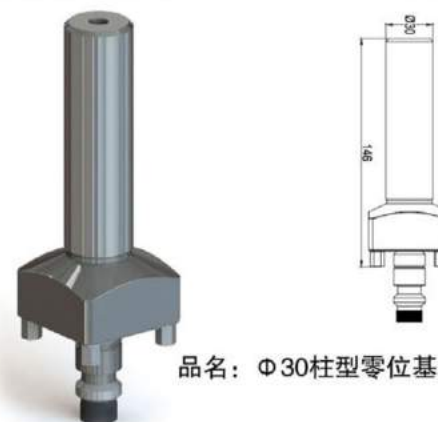
**N0006**



品名: 100x60零位基準座 Parallel Gauging Pin

| 規格參數表 SPECIFICATION |  |
|---------------------|--|
| 規格 Name             | 100x60x23mm  |
| 主體材料 Material       | 420不銹鋼 48-52HRC<br>Stainless Steel 420             |
| 出廠要求 Tolerance      | 同心度 ± 0.002mm<br>Concentricity Tolerance ± 0.002mm |

**N0007**

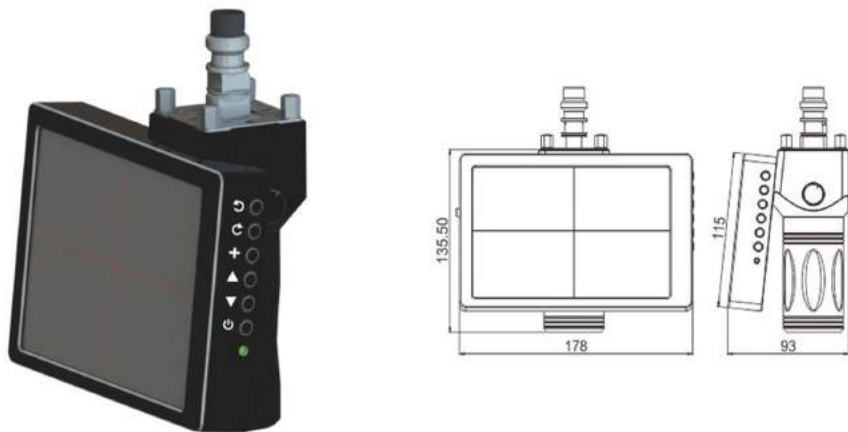


品名: Φ30柱型零位基準座 Checking Pin

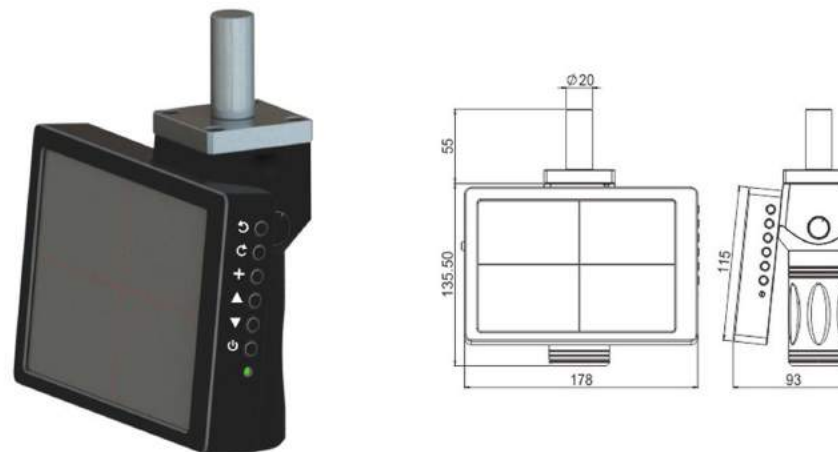
| 規格參數表 SPECIFICATION |  |
|---------------------|--|
| 規格 Name             | Φ30x146mm  |
| 主體材料 Material       | 420不銹鋼 48-52HRC<br>Stainless Steel 420             |
| 出廠要求 Tolerance      | 同心度 ± 0.005mm<br>Concentricity Tolerance ± 0.005mm |

100% compatible with EROWA and 3R

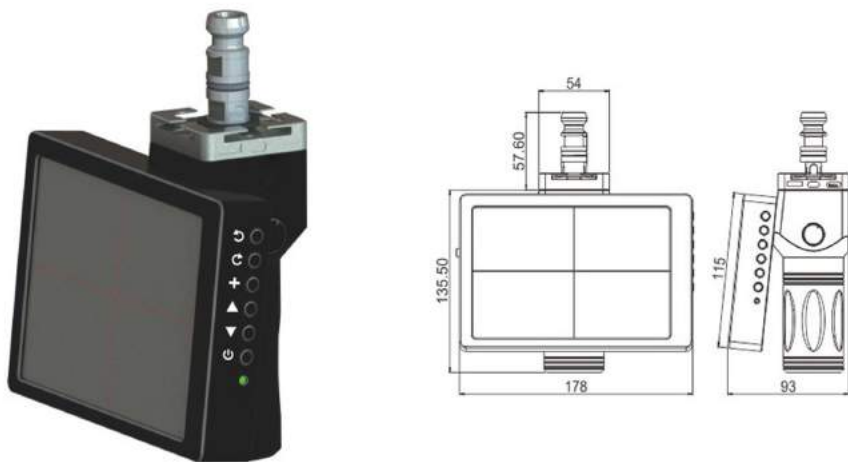
**3080E** Camera magnifer for EROWA



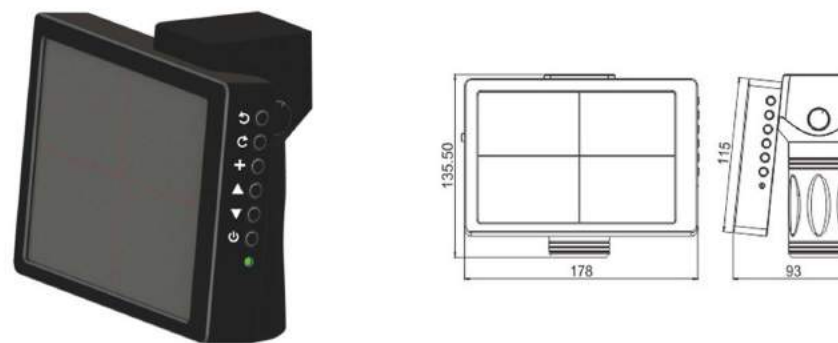
**3080C** Camera magnifer Universal



**3080R** Camera magnifer for 3R



**3080M** Camera magnifer Magnetic





### Specification

| 接口      | EROWA           | 3R | 20mm接柄 | 磁鐵 |
|---------|-----------------|----|--------|----|
| 屏幕尺寸/像素 | 7寸/1080P        |    |        |    |
| 可視精度    | ± 0.003mm       |    |        |    |
| 放大倍數    | 50倍             |    |        |    |
| 可測量角度   | 以15分角度為單元       |    |        |    |
| 自動尋邊    | 找到工作點，會自動閃爍     |    |        |    |
| 視屏標綫    | 白色，紅色，綠色，藍色，黑色  |    |        |    |
| 旋轉角度    | 可手動旋轉十字標綫尋找中心點  |    |        |    |
| 對焦距離    | 50-60mm         |    |        |    |
| 光源      | LED燈組（開關可調）     |    |        |    |
| 功率/電壓   | 400MA(DC 12V)   |    |        |    |
| 鋰電容量    | 4800MA          |    |        |    |
| 充電器     | 12V ( 2A )      |    |        |    |
| 產品外形尺寸  | 178X135X90mm mm |    |        |    |
| 產品淨重約   | 2kg             |    |        |    |
| 外包裝尺寸   | 260*260*150mm   |    |        |    |
| 主體材料    | 鋁合金+陽極處理        |    |        |    |
| 產品包裝    | 銀色豪華手提箱         |    |        |    |

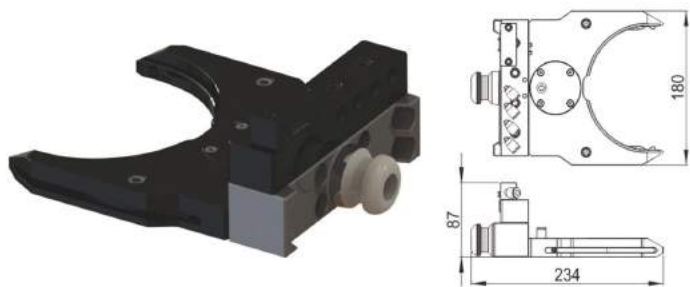


**M1004**



ITS 50 electrode changer

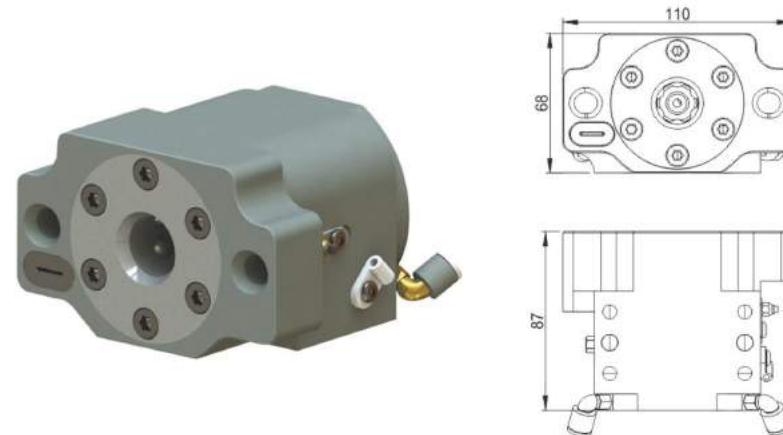
**M1005**



ITS 148 pallet changer

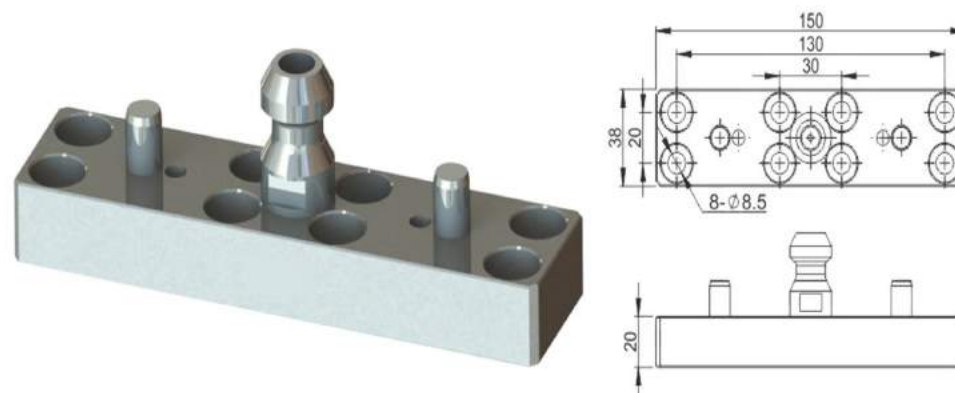
100% compatible with EROWA and 3R

**M1006**



Robot arm connector

**M1007**

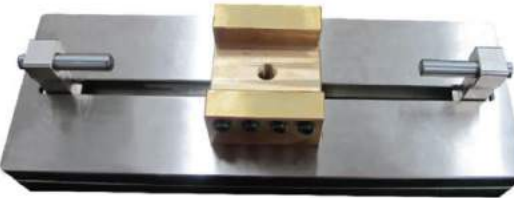


GripperLink coupling for UPC pallets

100% compatible with EROWA and 3R

| Q0015   |                                     | Q0016  |                                |
|---|-------------------------------------|--|--------------------------------|
|  |                                     |  |                                |
| 品名<br>Name  | 防屑鉛塞<br>Swarf-proof Alumininum Plug | 品名<br>Name   | 日本扭力扳手<br>Torque Wrench(Japan) |
| 應用<br>Application   | 防屑用<br>Use For Chuck                | 產地<br>Original   | 日本<br>Japan                    |

| Q0017   |   | Q0018   |   |
|---|---|---|---|
|  |   |  |   |
| 品名<br>Name  | Airtac開關A<br>Air Chuck Switch(EDM Type) | 品名<br>Name  | Airtac開關B<br>Air Chuck Switch(CNC Type) |
| 產地<br>Original  | 臺灣<br>Taiwan                            | 產地<br>Original  | 臺灣<br>Taiwan                            |


| Q0022  |  |                     |  |            |             |                  |                  |                   |  |
|--|--|---------------------|--|------------|-------------|------------------|------------------|-------------------|--|
|   |  |                     |  |            |             |                  |                  |                   |  |
| 品名: 電極中心器 Workpiece centering device   |  |                     |  |            |             |                  |                  |                   |  |
| <table border="1"> <tr> <th colspan="2">規格參數表 SPECIFICATION</th> </tr> <tr> <td>規格<br/>Size</td> <td>250x90x60mm</td> </tr> <tr> <td>主體材料<br/>MATERIAL</td> <td>420 不銹鋼 32-36HRC</td> </tr> <tr> <td>應用<br/>Application</td> <td>方便電極裝夾尋中<br/>centering the workpiece easily</td> </tr> </table> |  | 規格參數表 SPECIFICATION |  | 規格<br>Size | 250x90x60mm | 主體材料<br>MATERIAL | 420 不銹鋼 32-36HRC | 應用<br>Application | 方便電極裝夾尋中<br>centering the workpiece easily |
| 規格參數表 SPECIFICATION  |  |                     |  |            |             |                  |                  |                   |  |
| 規格<br>Size   | 250x90x60mm                                |                     |  |            |             |                  |                  |                   |  |
| 主體材料<br>MATERIAL   | 420 不銹鋼 32-36HRC                           |                     |  |            |             |                  |                  |                   |  |
| 應用<br>Application  | 方便電極裝夾尋中<br>centering the workpiece easily |                     |  |            |             |                  |                  |                   |  |




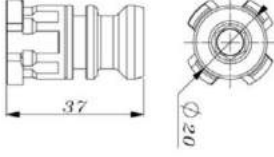
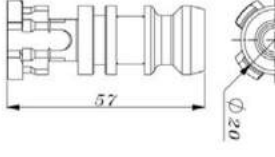
| Z140A   | Z140D   | TubeS   | TubeM   |
|---|---|---|---|
| Small hole EDM ceramic guide  | Small hole EDM ceramic guide  | copper electrode tube single hole   | copper electrode tube multi hole  |
| 0.3mm~3.0mm available   | 0.3mm~3.0mm available   | hole 0.3mm~3.0mm L400mm   | hole 1.0mm~3.0mm L400mm   |
|  |  |  |  |



| Code              | Description  |
|-------------------|--------------|
| TB-M3-3050        | M3*30*50 mm  |
| TB-M3-4060        | M3*40*60 mm  |
| TB-M4-3050        | M4*30*50 mm  |
| TB-M4-4060        | M4*40*60 mm  |
| TB-M5-3050        | M5*30*50 mm  |
| TB-M5-4060        | M5*40*60 mm  |
| TB-M6-3050        | M6*30*50 mm  |
| TB-M6-4060        | M6*40*60 mm  |
| TB-M8-3050        | M8*30*50 mm  |
| TB-M8-4060        | M8*40*60 mm  |
| TB-M10-3050       | M10*30*50 mm |
| TB-M10-4060       | M10*40*60 mm |
| TB-M12-3050       | M12*30*50 mm |
| TB-M12-4060       | M12*40*60 mm |
| Other custom-made |              |

|   |
|---|
|  |
| <b>tungsten brass threaded electrode</b>  |



| <b>3M0001</b>   | <b>3M0002</b>  |  |         |              |            |                     |               |  |   |                     |  |         |              |            |                     |               |  |
|---|--|--|---------|--------------|------------|---------------------|---------------|--|---|---------------------|--|---------|--------------|------------|---------------------|---------------|--|
|    |  |  |         |              |            |                     |               |  |   |                     |  |         |              |            |                     |               |  |
| <p>品名: 54x54定位片 3M Centering Plate 54x54</p>  <table border="1"> <thead> <tr> <th colspan="2">規格參數表 SPECIFICATION</th> </tr> </thead> <tbody> <tr> <td>規格 Size</td> <td>54x54x12.5mm</td> </tr> <tr> <td>鑄件 Casting</td> <td>臺灣鑄造 Taiwan Foundry</td> </tr> <tr> <td>主體材料 Material</td> <td>420不銹鋼 40-44HRC<br/>Stainless Steel 420</td> </tr> </tbody> </table> | 規格參數表 SPECIFICATION  |  | 規格 Size | 54x54x12.5mm | 鑄件 Casting | 臺灣鑄造 Taiwan Foundry | 主體材料 Material | 420不銹鋼 40-44HRC<br>Stainless Steel 420 | <p>品名: 70x70定位片 3M Centering Plate 70x70</p>  <table border="1"> <thead> <tr> <th colspan="2">規格參數表 SPECIFICATION</th> </tr> </thead> <tbody> <tr> <td>規格 Size</td> <td>70x70x12.5mm</td> </tr> <tr> <td>鑄件 Casting</td> <td>臺灣鑄造 Taiwan Foundry</td> </tr> <tr> <td>主體材料 Material</td> <td>420不銹鋼 40-44HRC<br/>Stainless Steel 420</td> </tr> </tbody> </table> | 規格參數表 SPECIFICATION |  | 規格 Size | 70x70x12.5mm | 鑄件 Casting | 臺灣鑄造 Taiwan Foundry | 主體材料 Material | 420不銹鋼 40-44HRC<br>Stainless Steel 420 |
| 規格參數表 SPECIFICATION   |  |  |         |              |            |                     |               |  |   |                     |  |         |              |            |                     |               |  |
| 規格 Size   | 54x54x12.5mm   |  |         |              |            |                     |               |  |   |                     |  |         |              |            |                     |               |  |
| 鑄件 Casting  | 臺灣鑄造 Taiwan Foundry  |  |         |              |            |                     |               |  |   |                     |  |         |              |            |                     |               |  |
| 主體材料 Material   | 420不銹鋼 40-44HRC<br>Stainless Steel 420   |  |         |              |            |                     |               |  |   |                     |  |         |              |            |                     |               |  |
| 規格參數表 SPECIFICATION   |  |  |         |              |            |                     |               |  |   |                     |  |         |              |            |                     |               |  |
| 規格 Size   | 70x70x12.5mm   |  |         |              |            |                     |               |  |   |                     |  |         |              |            |                     |               |  |
| 鑄件 Casting  | 臺灣鑄造 Taiwan Foundry  |  |         |              |            |                     |               |  |   |                     |  |         |              |            |                     |               |  |
| 主體材料 Material   | 420不銹鋼 40-44HRC<br>Stainless Steel 420   |  |         |              |            |                     |               |  |   |                     |  |         |              |            |                     |               |  |

|  |  |  |
|--|--|--|
| <b>3M0003</b>  | <b>3M0004</b>  | <b>3M0005</b>  |
|    |    |       |
|  <p>品名 手動拉杆<br/>Name 3M Manual Spigot(Short)<br/>材料 硬質不銹鋼 48-52HRC<br/>Material Stainless Steel</p> |  <p>品名 氣動拉杆<br/>Name 3M Automatic Spigot(Long)<br/>材料 硬質不銹鋼 48-52HRC<br/>Material Stainless Steel</p> | <p>品名 拉杆固定膠托<br/>Name 3M Spigot Plastic Part<br/>材料 ABS<br/>應用 連接固定用<br/>Application</p> |



|   |   |
|---|---|
| <b>3MSC01</b>   | <b>3MSC02</b>   |
|  |  |

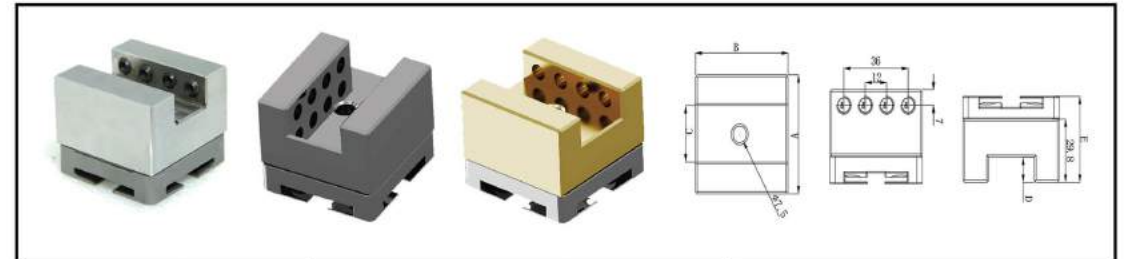
100% compatible with EROWA and 3R

|  |   |
|--|---|
| <b>3M0006</b>  | <b>3M0007B</b>  |
|   |    |
| <p>品名 D6鑄鋼珠中心棒<br/>Name D6 Centering Sensor ( 3M )<br/>規格 54x54x120mm<br/>Size<br/>主體材料 420不銹鋼 32-36HRC<br/>Material Stainless Steel 420</p>    | <p>Version Holder with spring-loaded sensing pin and tungsten carbide ball. Overrun protection: X, Y, Z 1 mm. Repetition accuracy: X, Z, Y 0.002 mm.<br/>Application Automatic measurement of workpieces in CNC EDM-sinking centers.</p>  |
| <b>3M0008</b>  | <b>3M0009</b>   |
|    |   |
| <p>品名 100x60零位基準座<br/>Name Parallel Gauging Pin(3M)<br/>規格 100x60x37.5mm<br/>Size<br/>主體材料 420不銹鋼 48-52HRC<br/>Material Stainless Steel 420<br/>出廠要求 同心度 ± 0.002mm<br/>Tolerance Parallelism ± 0.002mm</p>  | <p>品名 φ30柱型零位基準座<br/>Name Checking Pin(3M)<br/>規格 54x54x148mm<br/>Size<br/>主體材料 420不銹鋼 48-52HRC<br/>Material Stainless Steel 420<br/>出廠要求 同心度 ± 0.005mm<br/>Tolerance Parallelism ± 0.005mm</p>  |

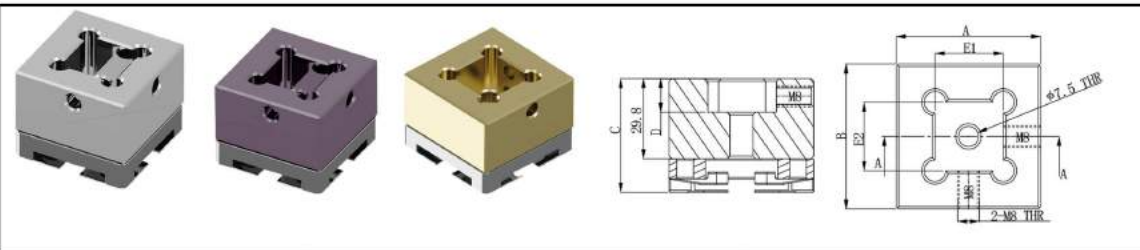
100% compatible with EROWA and 3R

|   |   |   |   |
|---|---|---|---|
| <b>3M0010</b>   |   | <b>3MN0005</b>  |   |
|  |   |  |   |
| 品名<br>Name  | 手動檢測雲石臺<br>3M Manual Checking table   | Guaging pin 3M  |   |
| 規格<br>Size  | 400x600mm   |   |   |
| 標準配置<br>Standard configuration  | 日本三豐百分表<br>Dial Indicator 1 pcs 1個  |   |   |
| 應用<br>Application   | 檢測電極分中<br>Checking center   |   |   |
| <b>3M0013</b>   |   | <b>3M0014</b>   |   |
|  |   |  |   |
| 品名<br>Name  | ER32鎖嘴夾具<br>ER-32 Collet Holder   | 品名<br>Name  | 電極校正頭 (高精度)<br>Electrode Calibration  |
| 規格<br>SIZE  | 52x52x78mm  | 規格<br>Size  | Ø100x110mm  |
| 主體材料<br>MATERIAL  | 420 不銹鋼 48-52HRC<br>Stainless Steel 420   | 應用<br>Application   | 裝配90定位片, 側推力20-30kg, 偏移公差0.05mm<br>With 3M Centering Plate, Side Thrust 20-30kg, Deviation 0.05mm |
| 附帶配件<br>Included  | Φ12鎖嘴1個<br>Φ12 Collet 1pcs  |   |   |
| 公差要求<br>Tolerance   | 裝夾電極後同心度 ± 0.015(延長50mm)<br>After Assemble Copper Electrode,<br>Concentricity Tolerance ± 0.015mm |   |   |

|   |   |
|---|---|
| <b>3MER01</b>   | <b>3MPV01</b>   |
|  |  |
| Adapter 3R-EROWA  | 3M Rotatable pendulum vise  |

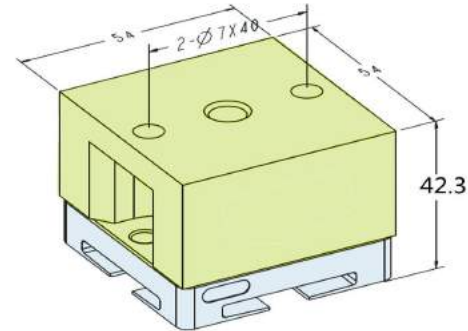


| Code   | Description                | Size (A*B*E*C*D)      |
|--------|----------------------------|-----------------------|
| 3MU15A | U15 Aluminium holder       | 54*54*42.3*16*12.5 mm |
| 3MU20A | U20 Aluminium holder       | 54*54*42.3*21*12.5 mm |
| 3MU25A | U25 Aluminium holder       | 54*54*42.3*26*12.5 mm |
| 3MU30A | U30 Aluminium holder       | 54*54*42.3*31*12.5 mm |
| 3MU35A | U35 Aluminium holder       | 60*54*42.3*36*12.5 mm |
| 3MU40A | U40 Aluminium holder       | 65*54*42.3*41*12.5 mm |
| 3MU45A | U45 Aluminium holder       | 70*54*42.3*46*12.5 mm |
| 3MU50A | U50 Aluminium holder       | 75*54*42.3*51*12.5 mm |
| 3MU15S | U15 Stainless steel holder | 54*54*42.3*16*12.5 mm |
| 3MU20S | U20 Stainless steel holder | 54*54*42.3*21*12.5 mm |
| 3MU25S | U25 Stainless steel holder | 54*54*42.3*26*12.5 mm |
| 3MU30S | U30 Stainless steel holder | 54*54*42.3*31*12.5 mm |
| 3MU35S | U35 Stainless steel holder | 60*54*42.3*36*12.5 mm |
| 3MU40S | U40 Stainless steel holder | 65*54*42.3*41*12.5 mm |
| 3MU45S | U45 Stainless steel holder | 70*54*42.3*46*12.5 mm |
| 3MU50S | U50 Stainless steel holder | 75*54*42.3*51*12.5 mm |
| 3MU15B | U15 Brass holder           | 54*54*42.3*16*12.5 mm |
| 3MU20B | U20 Brass holder           | 54*54*42.3*21*12.5 mm |
| 3MU25B | U25 Brass holder           | 54*54*42.3*26*12.5 mm |
| 3MU30B | U30 Brass holder           | 54*54*42.3*31*12.5 mm |
| 3MU35B | U35 Brass holder           | 60*54*42.3*36*12.5 mm |
| 3MU40B | U40 Brass holder           | 65*54*42.3*41*12.5 mm |
| 3MU45B | U45 Brass holder           | 70*54*42.3*46*12.5 mm |
| 3MU50B | U50 Brass holder           | 75*54*42.3*51*12.5 mm |

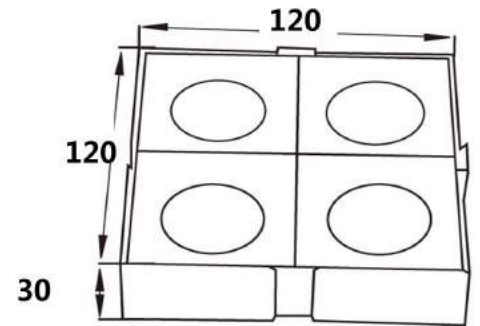


| Code   | Description                | Size (A*B*C*E1*E2*D)   |
|--------|----------------------------|------------------------|
| 3MS15A | S15 Aluminium holder       | 54*54*42.3*16*16*15 mm |
| 3MS20A | S20 Aluminium holder       | 54*54*42.3*21*21*15 mm |
| 3MS25A | S25 Aluminium holder       | 54*54*42.3*26*26*15 mm |
| 3MS30A | S30 Aluminium holder       | 54*54*42.3*31*31*15mm  |
| 3MS35A | S35 Aluminium holder       | 60*60*42.3*36*36*15 mm |
| 3MS40A | S40 Aluminium holder       | 65*65*42.3*41*41*15 mm |
| 3MS45A | S45 Aluminium holder       | 70*70*42.3*46*46*15 mm |
| 3MS50A | S50 Aluminium holder       | 75*75*42.3*51*51*15 mm |
| 3MS15S | S15 Stainless steel holder | 54*54*42.3*16*16*15 mm |
| 3MS20S | S20 Stainless steel holder | 54*54*42.3*21*21*15 mm |
| 3MS25S | S25 Stainless steel holder | 54*54*42.3*26*26*15 mm |
| 3MS30S | S30 Stainless steel holder | 54*54*42.3*31*31*15mm  |
| 3MS35S | S35 Stainless steel holder | 60*60*42.3*36*36*15 mm |
| 3MS40S | S40 Stainless steel holder | 65*65*42.3*41*41*15 mm |
| 3MS45S | S45 Stainless steel holder | 70*70*42.3*46*46*15 mm |
| 3MS50S | S50 Stainless steel holder | 75*75*42.3*51*51*15 mm |
| 3MS15B | S15 Brass holder           | 54*54*42.3*16*16*15 mm |
| 3MS20B | S20 Brass holder           | 54*54*42.3*21*21*15 mm |
| 3MS25B | S25 Brass holder           | 54*54*42.3*26*26*15 mm |
| 3MS30B | S30 Brass holder           | 54*54*42.3*31*31*15mm  |
| 3MS35B | S35 Brass holder           | 60*60*42.3*36*36*15 mm |
| 3MS40B | S40 Brass holder           | 65*65*42.3*41*41*15 mm |
| 3MS45B | S45 Brass holder           | 70*70*42.3*46*46*15 mm |
| 3MS50B | S50 Brass holder           | 75*75*42.3*51*51*15 mm |

- 3MP01A Aluminium Uniplate holder
- 3MP01S Stainless Uniplate holder
- 3MP01B Brass Uniplate holder



3MSHELL



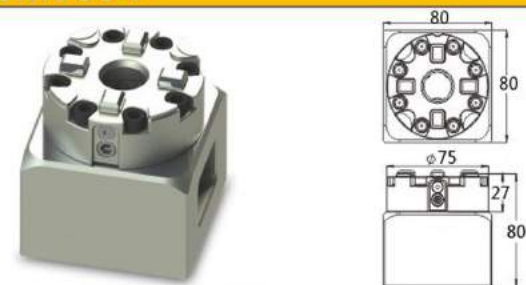
**3M0033**



| 規格參數表 SPECIFICATION |  |
|---------------------|--|
| 規格 SIZE             | Φ75x27mm                                   |
| 主體材料 MATERIAL       | 進口優質不銹鋼 57-60HRC<br>NIPPON STAINLESS STEEL |
| 鎖緊力 FORCE POWER     | 6000牛頓<br>6000N                            |
| 應用 Application      | 通用數顯機床                                     |

品名: D75手動單頭卡盤(螺絲鎖緊) D75 3M Manual Chuck

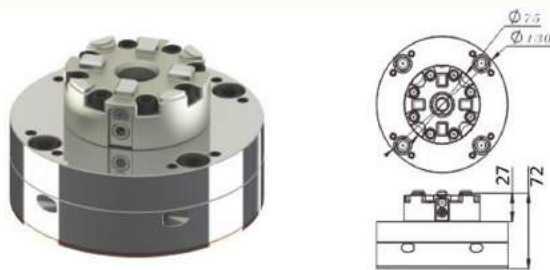
**3M0034**



| 規格參數表 SPECIFICATION |  |
|---------------------|--|
| 規格 SIZE             | 80x80x80mm                                 |
| 主體材料 MATERIAL       | 進口優質不銹鋼 57-60HRC<br>NIPPON STAINLESS STEEL |
| 鎖緊力 FORCE POWER     | 6000牛頓<br>6000N                            |
| 應用 Application      | 通用數顯機床                                     |

品名: D75 CNC手動卡盤(螺絲鎖緊) D75 3M CNC Manual Chuck

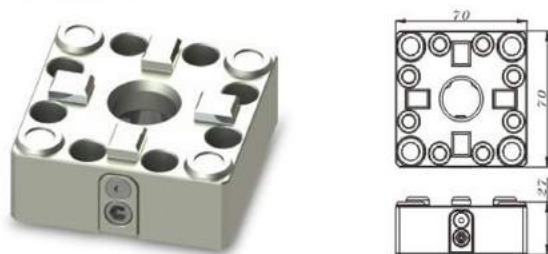
**3M0035**



| 規格參數表 SPECIFICATION |  |
|---------------------|--|
| 規格 SIZE             | Φ130x72mm                                  |
| 主體材料 MATERIAL       | 進口優質不銹鋼 57-60HRC<br>NIPPON STAINLESS STEEL |
| 鎖緊力 FORCE POWER     | 6000牛頓<br>6000N                            |
| 應用 Application      | EDM機床                                      |

品名: D75 EDM手動卡盤(螺絲鎖緊) D75 3M EDM Manual Chuck

**3M0046**



| 規格參數表 SPECIFICATION |  |
|---------------------|--|
| 規格 SIZE             | 70x70x27mm                                 |
| 主體材料 MATERIAL       | 進口優質不銹鋼 57-60HRC<br>NIPPON STAINLESS STEEL |
| 鎖緊力 FORCE POWER     | 6000牛頓<br>6000N                            |
| 應用 Application      | 通用數顯機床                                     |

品名: 70方型手動單頭卡盤(螺絲鎖緊) 70 mm square Manual M Chuck (screw locking)

**3M0036A**



| 規格參數表 SPECIFICATION |  |
|---------------------|--|
| 規格 SIZE             | 56x56x37.5mm                               |
| 主體材料 MATERIAL       | 進口優質不銹鋼 57-60HRC<br>NIPPON STAINLESS STEEL |
| 鎖緊力 FORCE POWER     | 4000牛頓<br>4000N                            |
| 應用 Application      | 通用數顯機床                                     |

品名: 56x56單頭手動卡盤(手柄鎖緊) 56x56 3M Manual Chuck

**3M0036**



| 規格參數表 SPECIFICATION |  |
|---------------------|--|
| 規格 SIZE             | Φ100x49.5mm                                |
| 主體材料 MATERIAL       | 進口優質不銹鋼 57-60HRC<br>NIPPON STAINLESS STEEL |
| 鎖緊力 FORCE POWER     | 10000牛頓<br>10000N                          |
| 應用 Application      | 通用數顯機床                                     |

品名: D100單頭手動卡盤(手柄鎖緊) D100 3M Manual Chuck

**3M0037**



| 規格參數表 SPECIFICATION |  |
|---------------------|--|
| 規格 SIZE             | 145x100x60.5mm                             |
| 主體材料 MATERIAL       | 進口優質不銹鋼 57-60HRC<br>NIPPON STAINLESS STEEL |
| 鎖緊力 FORCE POWER     | 10000牛頓<br>10000N                          |
| 應用 Application      | 通用數顯機床                                     |

品名: D100 CNC手動卡盤(手柄鎖緊) D100 3M Manual Chuck Wit CNC Base

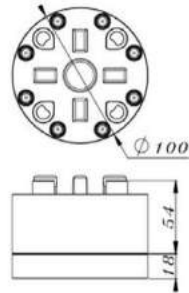
**3M0038**



| 規格參數表 SPECIFICATION |  |
|---------------------|--|
| 規格 SIZE             | Φ130x82.5mm                                |
| 主體材料 MATERIAL       | 進口優質不銹鋼 57-60HRC<br>NIPPON STAINLESS STEEL |
| 鎖緊力 FORCE POWER     | 10000牛頓<br>10000N                          |
| 應用 Application      | EDM機床                                      |

品名: D100 EDM手動卡盤(手柄鎖緊) D100 3M Manual Chuck Wit EDM Base

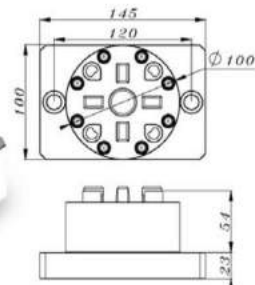
**3M0039**



| 規格參數表 SPECIFICATION   |   |
|-----------------------|---|
| 規格 Size               | Φ100x72mm                                 |
| 主體材料 MATERIAL         | 日本優質鉻鋼 57-60HRC<br>NIPPON STAINLESS STEEL |
| 使用壓力 Min Air Pressure | 6公斤<br>6 Bar                              |
| 鎖緊力 FORCE POWER       | 10000牛頓<br>10000N                         |

品名: D100 單頭氣動卡盤 D100 3M Pneumatic Chuck

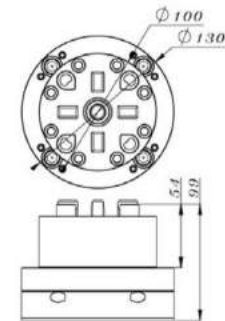
**3M0040**



| 規格參數表 SPECIFICATION   |   |
|-----------------------|---|
| 規格 Size               | 145x100x77mm                              |
| 主體材料 MATERIAL         | 日本優質鉻鋼 57-60HRC<br>NIPPON STAINLESS STEEL |
| 使用壓力 Min Air Pressure | 6公斤<br>6 Bar                              |
| 鎖緊力 FORCE POWER       | 10000牛頓<br>10000N                         |

品名: D100 CNC氣動卡盤 D100 3M CNC Pneumatic Chuck

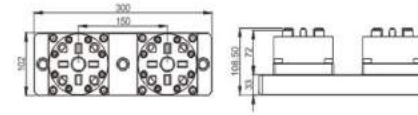
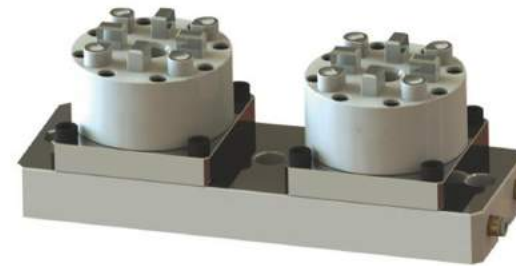
**3M0041**



| 規格參數表 SPECIFICATION   |   |
|-----------------------|---|
| 規格 Size               | Φ130x99mm                                 |
| 主體材料 MATERIAL         | 日本優質鉻鋼 57-60HRC<br>NIPPON STAINLESS STEEL |
| 使用壓力 Min Air Pressure | 6公斤<br>6 Bar                              |
| 鎖緊力 FORCE POWER       | 10000牛頓<br>10000N                         |

品名: D100 EDM氣動卡盤 D100 3M EDM Pneumatic Chuck

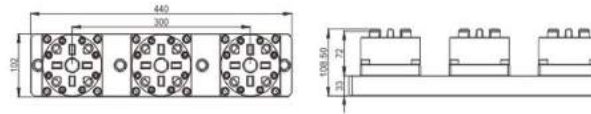
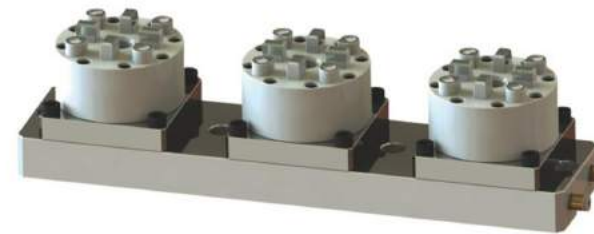
**3M0042**



| 規格參數表 SPECIFICATION   |  |
|-----------------------|--|
| 規格 SIZE               | 300x102x108.5mm                                  |
| 主體材料 MATERIAL         | 日本優質鉻鋼 57-60HRC<br>NIPPON STAINLESS STEEL        |
| 使用壓力 Min Air Pressure | 6公斤<br>6 Bar                                     |
| 鎖緊力 FORCE POWER       | 10000牛頓<br>10000N                                |
| 氣閥控制 SWITCH           | 1控2 (既1個開關控制2個卡盤)<br>2 Chuck Control by 1 Switch |
| 應用 Application        | CNC機床  |

品名: 3M D100 兩頭 CNC氣動卡盤

**3M0043**

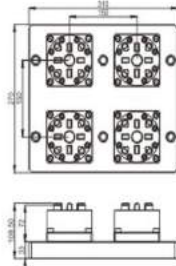


| 規格參數表 SPECIFICATION   |  |
|-----------------------|--|
| 規格 SIZE               | 400x102x108.5mm                                  |
| 主體材料 MATERIAL         | 日本優質鉻鋼 57-60HRC<br>NIPPON STAINLESS STEEL        |
| 使用壓力 Min Air Pressure | 6公斤<br>6 Bar                                     |
| 鎖緊力 FORCE POWER       | 10000牛頓<br>10000N                                |
| 氣閥控制 SWITCH           | 1控3 (既1個開關控制3個卡盤)<br>3 Chuck Control by 1 Switch |
| 應用 Application        | CNC機床  |

品名: 3M D100 三頭 CNC氣動卡盤



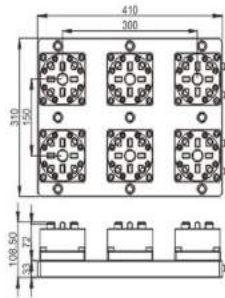
3M0044



| 規格參數表 SPECIFICATION   |  |
|-----------------------|--|
| 規格 SIZE               | 310x270x108.5mm                                  |
| 主體材料 MATERIAL         | 日本優質鉻鋼 57-60HRC<br>NIPPON STAINLESS STEEL        |
| 使用壓力 Min Air Pressure | 6公斤<br>6 Bar                                     |
| 鎖緊力 FORCE POWER       | 10000牛頓<br>10000N                                |
| 氣閥控制 SWITCH           | 2控4 (既1個開關控制2個卡盤)<br>4 Chuck Control by 2 Switch |
| 應用 Application        | CNC機床  |

品名: 3M D100 四頭 CNC氣動卡盤

3M0045

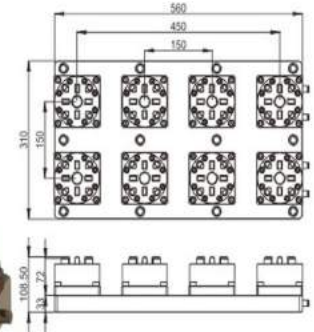


| 規格參數表 SPECIFICATION   |  |
|-----------------------|--|
| 規格 SIZE               | 310x410x108.5mm                                  |
| 主體材料 MATERIAL         | 日本優質鉻鋼 57-60HRC<br>NIPPON STAINLESS STEEL        |
| 使用壓力 Min Air Pressure | 6公斤<br>6 Bar                                     |
| 鎖緊力 FORCE POWER       | 10000牛頓<br>10000N                                |
| 氣閥控制 SWITCH           | 2控6 (既1個開關控制3個卡盤)<br>6 Chuck Control by 2 Switch |
| 應用 Application        | CNC機床  |

品名: 3M D100 六頭 CNC氣動卡盤

100% compatible with EROWA and 3R

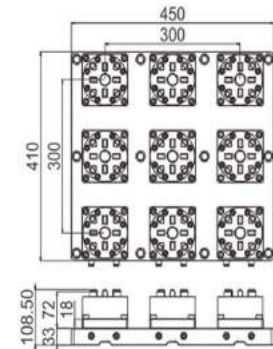
3M0046N8



| 規格參數表 SPECIFICATION   |  |
|-----------------------|--|
| 規格 SIZE               | 310x560x108.5mm                                  |
| 主體材料 MATERIAL         | 日本優質鉻鋼 57-60HRC<br>NIPPON STAINLESS STEEL        |
| 使用壓力 Min Air Pressure | 6公斤<br>6 Bar                                     |
| 鎖緊力 FORCE POWER       | 10000牛頓<br>10000N                                |
| 氣閥控制 SWITCH           | 2控8 (既1個開關控制4個卡盤)<br>8 Chuck Control by 2 Switch |
| 應用 Application        | CNC機床  |

品名: 3M D100 八頭 CNC氣動卡盤

3M0047



| 規格參數表 SPECIFICATION   |  |
|-----------------------|--|
| 規格 SIZE               | 410x450x108.5mm                                  |
| 主體材料 MATERIAL         | 日本優質鉻鋼 57-60HRC<br>NIPPON STAINLESS STEEL        |
| 使用壓力 Min Air Pressure | 6公斤<br>6 Bar                                     |
| 鎖緊力 FORCE POWER       | 10000牛頓<br>10000N                                |
| 氣閥控制 SWITCH           | 3控9 (既1個開關控制3個卡盤)<br>9 Chuck Control by 3 Switch |
| 應用 Application        | CNC機床  |

品名: 3M D100 九頭 CNC氣動卡盤

100% compatible with EROWA and 3R



**3M0048**



| 規格參數表 SPECIFICATION       |   |
|---------------------------|---|
| 規格 SIZE                   | 198x170x83mm                              |
| 主體材料 MATERIAL             | 日本優質鉻鋼 57-60HRC<br>NIPPON STAINLESS STEEL |
| 使用壓力 AIR PRESSURE REQUIRE | 6公斤<br>6Bar                               |
| 鎖緊力 FORCE POWER           | 15000牛頓<br>15000N                         |

品名: 3M D150 CNC氣動卡盤

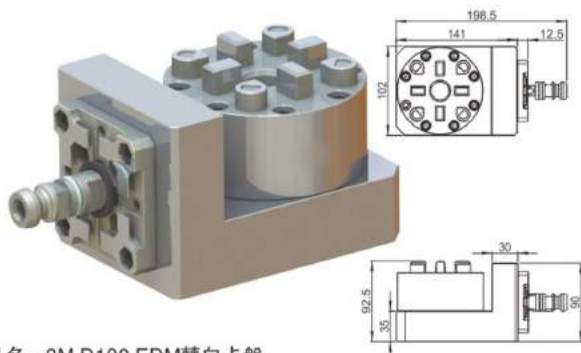
**3M0049**



| 規格參數表 SPECIFICATION |                               |
|---------------------|-------------------------------|
| 規格 SIZE             | 160x35mm                      |
| 主體材料 MATERIAL       | 420不銹鋼<br>Stainless Steel 420 |
| 硬度 HARDNESS         | 48-52HRC                      |
| 裝配 ASSEMBLY         | 3M拉釘                          |

品名: 3M D150 托板

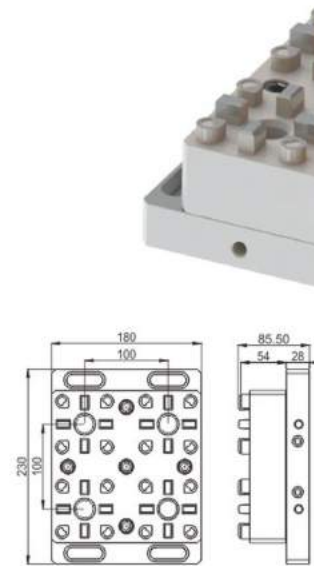
**3M0050**



| 規格參數表 SPECIFICATION       |   |
|---------------------------|---|
| 規格 SIZE                   | 198.5x102x92.5mm                          |
| 主體材料 MATERIAL             | 日本優質鉻鋼 57-60HRC<br>NIPPON STAINLESS STEEL |
| 使用壓力 AIR PRESSURE REQUIRE | 6公斤<br>6Bar                               |
| 鎖緊力 FORCE POWER           | 10000牛頓<br>10000N                         |
| 應用 Application            | EDM用                                      |

品名: 3M D100 EDM轉向卡盤

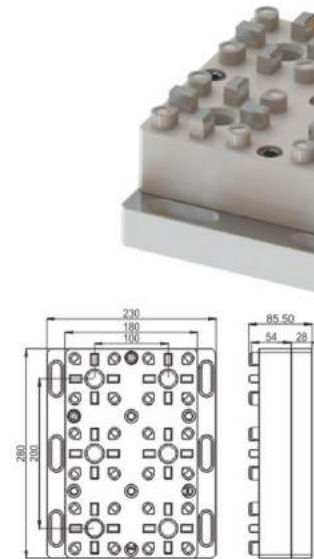
**3M0051**



| 規格參數表 SPECIFICATION       |   |
|---------------------------|---|
| 規格 SIZE                   | 230x180x85.5mm                                    |
| 主體材料 MATERIAL             | 日本優質鉻鋼 57-60HRC<br>NIPPON STAINLESS STEEL         |
| 使用壓力 AIR PRESSURE REQUIRE | 6公斤<br>6Bar                                       |
| 鎖緊力 FORCE POWER           | 10000牛頓<br>10000N                                 |
| 氣閥控制 Switch               | 1控4 (即1個開關控制4個卡盤)<br>4 chucks control by 1 switch |
| 應用 Application            | CNC機床   |

品名: 3M 四頭小型氣動卡盤

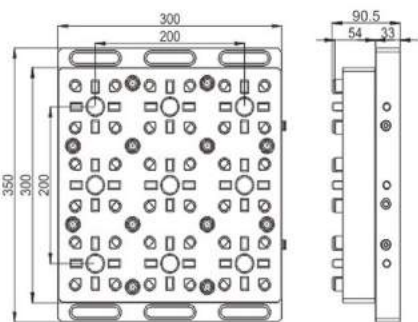
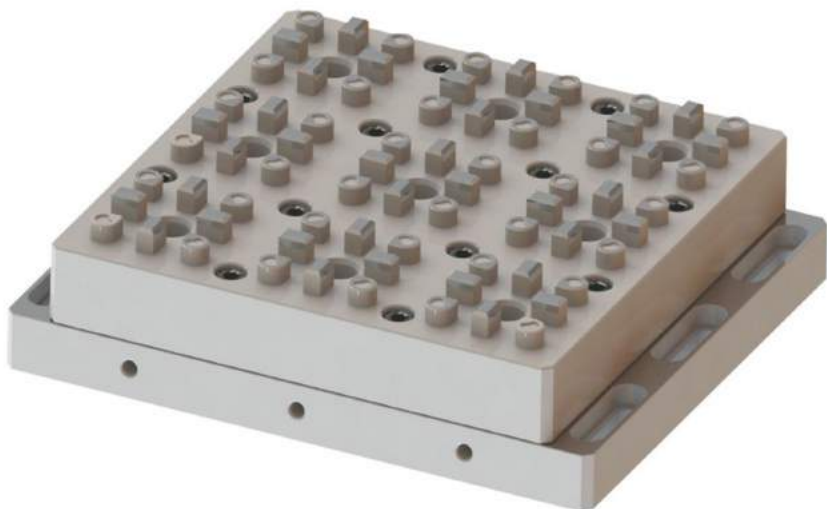
**3M0052**



| 規格參數表 SPECIFICATION       |   |
|---------------------------|---|
| 規格 SIZE                   | 230x280x85.5mm                                    |
| 主體材料 MATERIAL             | 日本優質鉻鋼 57-60HRC<br>NIPPON STAINLESS STEEL         |
| 使用壓力 AIR PRESSURE REQUIRE | 6公斤<br>6Bar                                       |
| 鎖緊力 FORCE POWER           | 10000牛頓<br>10000N                                 |
| 氣閥控制 Switch               | 2控6 (即2個開關控制6個卡盤)<br>6 chucks control by 2 switch |
| 應用 Application            | CNC機床   |

品名: 3M 六頭小型氣動卡盤

3M0053



| 規格參數表 SPECIFICATION       |   |
|---------------------------|---|
| 規格 SIZE                   | 300x350x90.5mm                                    |
| 主體材料 MATERIAL             | 日本優質鉻鋼 57-60HRC<br>NIPPON STAINLESS STEEL         |
| 使用壓力 AIR PRESSURE REQUIRE | 6公斤<br>6Bar                                       |
| 鎖緊力 FORCE POWER           | 6000牛頓<br>6000N                                   |
| 氣閥控制 Switch               | 3控9 (即3個開關控制9個卡盤)<br>9 chucks control by 3 switch |
| 應用 Application            | CNC機床   |

品名: 3M 九頭小型氣動卡盤

100% compatible with EROWA and 3R

3MD100M



D100 manual chuck

3MD80M

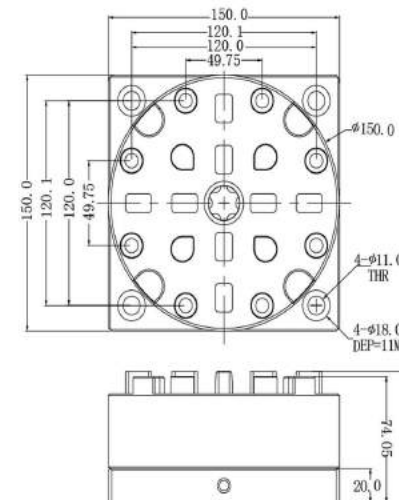


D80 manual chuck

3MD150P



| 規格參數表 Typical Data       |  |
|--------------------------|--|
| 規格 Specification         | 150x150x77.05mm  |
| 主體材料 Body Material       | 日本優質鉻鋼 57-60HRC<br>Nippon Chromium Steel                 |
| 使用壓力 Using Pressure      | 6公斤<br>Air pressure 6 bar/kg                             |
| 鎖緊力 Clamping Force       | 15000牛頓<br>15000N (Newton)                               |
| 主體調質 Body Heat Treatment | 真空熱處理加深冷<br>Vacuum Heat Treatment and Pro-longed cooling |
| 包裝 Packing               | 環保包裝<br>Environmental protection packing                 |
| 應用 Application           | 適用CNC機床<br>Suitable for CNC lathe                        |



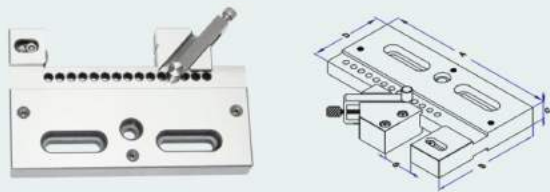
D150 Pneumatic power chuck

100% compatible with EROWA and 3R

手动慢走丝夹具(虎钳)

**VIS650**

夹具材质为马氏体不锈钢，具有抗腐蚀和耐磨损的特点；  
 手动设计使用方便灵活，适用于小零件加工；  
 △ The hold down feature prevents the work piece from lifting.  
 △ Accurate clamping is possible single body construction.  
 △ Designed for ease of use,short and samll compact in size



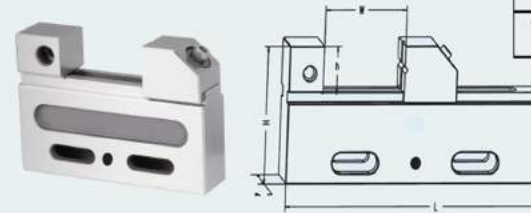
| model           | VIS650.75 | VIS650.100 |
|-----------------|-----------|------------|
| size(mm)        |           |            |
| A               | 145       | 170        |
| B               | 105       | 90         |
| C               | 20        | 30         |
| D               | -         | -          |
| E               | -         | -          |
| G(max)          | 75        | 100        |
| weight(kg)      | -         | -          |
| maximumload(kg) | -         | -          |

|                    |                            |
|--------------------|----------------------------|
| 材质<br>Material     | 马氏体不锈钢<br>SUS420           |
| 硬度<br>Hardened     | HRC50-55°<br>HRC50-55°     |
| 平行度<br>parallelism | 0.005/100mm<br>0.005/100mm |
| 直角度<br>squareness  | 0.005/100mm<br>0.005/100mm |

慢走丝夹具(虎钳)

**VIS660**

夹具材质为马氏体不锈钢，具有抗腐蚀和耐磨损的特点；  
 采用特殊的斜角设计，夹持力强；  
 △Short and small,its compact size is perfect for small work pieces.  
 △Clamping force works to 45degree obliquely downward and it prevents the work piece from lifting



| Code       | A    | h  | H   | W   | L   |
|------------|------|----|-----|-----|-----|
| VIS660.50  | 31.5 | 30 | 85  | 50  | 120 |
| VIS660.100 | 31.5 | 30 | 90  | 100 | 170 |
| VIS660.150 | 32   | 35 | 100 | 150 | 226 |
| VIS660.214 | 35.5 | 40 | 100 | 214 | 300 |

手动超薄慢走丝夹具(虎钳)

**VIS651**

适用于各种线切割机床上的工件夹持  
 手动夹持工件使用方便灵活，适用于小零件加工设计厚度为13mm，适用于端子零件  
 △Accurate clamping is possible single body construction.  
 △Designed for ease of use,short and samll compact in size



超薄慢走丝夹具(虎钳)

**VIS652**

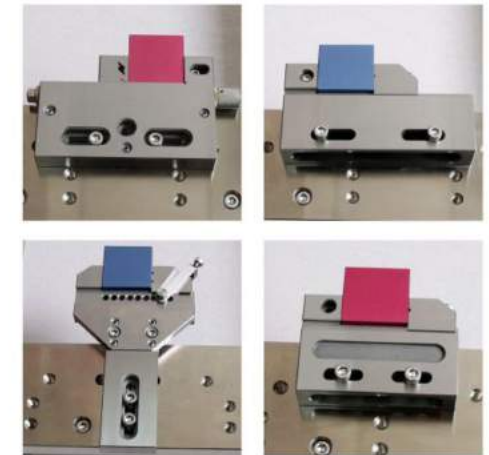
适用于各种线切割机床上的工件夹持  
 主体可以微调，操作方便灵活  
 △Accurate clamping is possible single body construction.  
 △Desinged for ease of use,short and samll compact in size



手动慢走丝夹具(虎钳)

**VIS661**

适用于各种线切割机床上的工件夹持  
 主体可以微调，操作方便灵活  
 △Accurate clamping is possible single body construction.  
 △Desinged for ease of use,short and samll compact in size



手动慢走丝夹具(虎钳)

**VIS653**

夹具材质为马氏体不锈钢，具有抗腐蚀和耐磨损的特点；  
 手动设计使用方便灵活，适用于小零件加工；  
 夹持范围：0-100mm  
 △ The hold down feature prevents the work piece from lifting.  
 △ Accurate clamping is possible single body construction.  
 △ Desinged for ease of use,short and samll compact in size



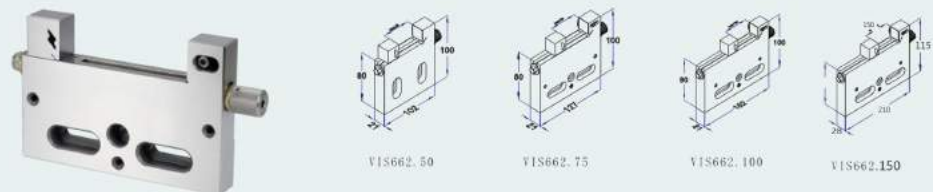
|                    |                            |
|--------------------|----------------------------|
| 材质<br>Material     | 马氏体不锈钢<br>SUS440           |
| 硬度<br>Hardened     | HRC50-55°<br>HRC50-55°     |
| 平行度<br>parallelism | 0.005/100mm<br>0.005/100mm |
| 直角度<br>squareness  | 0.005/100mm<br>0.005/100mm |

手动慢走丝夹具(虎钳)

**VIS662**

夹具材质为马氏体不锈钢，具有抗腐蚀和耐磨损的特点；  
 手动设计使用方便灵活，适用于小零件加工；  
 △ The hold down feature prevents the work piece from lifting.  
 △ Accurate clamping is possible single body construction.  
 △ Desinged for ease of use,short and samll compact in size

|                    |                            |
|--------------------|----------------------------|
| 材质<br>Material     | 马氏体不锈钢<br>SUS440           |
| 硬度<br>Hardened     | HRC50-55°<br>HRC50-55°     |
| 平行度<br>parallelism | 0.005/100mm<br>0.005/100mm |
| 直角度<br>squareness  | 0.005/100mm<br>0.005/100mm |



**强力慢走丝夹具(虎钳)**

**VIS663**

夹具材质为马氏体不锈钢，具有抗腐蚀和耐磨损的特点：  
 采有特殊的斜角设计，夹持力强：  
 △Short and small, its compact size is perfect for small work pieces.  
 △Clamping force works to 45degree obliquely downward and it prevents the work piece from lifting

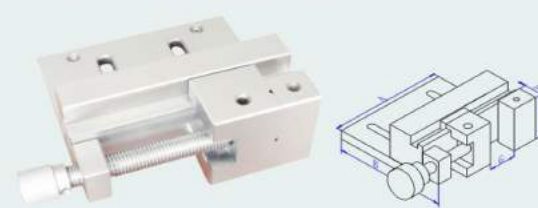


| size(mm)           | model                      | VIS663.100 | VIS663.150 |
|--------------------|----------------------------|------------|------------|
| A                  |                            | 270        | 320        |
| B                  |                            | 135        | 135        |
| C                  |                            | 22         | 22         |
| D                  |                            | 50         | 50         |
| E                  |                            | 50         | 75         |
| G(max)             |                            | 100        | 150        |
| weight (kg)        |                            | 4          | 5.5        |
| maximumload (kg)   |                            | 10         | 12         |
| 材质<br>Material     | 马氏体不锈钢<br>SUS440           |            |            |
| 硬度<br>Hardened     | HRC50-55°<br>HRC50-55°     |            |            |
| 平行度<br>parallelism | 0.005/100mm<br>0.005/100mm |            |            |
| 直角度<br>squareness  | 0.005/100mm<br>0.005/100mm |            |            |

**手动直角万力**

**VIS666**

适用于线切割机床加工各种零件：  
 主体为马氏体不锈钢，淬火后深冷，具有防锈与耐磨损能力：  
 △The dive pin lock structure is attached to the screw holder, so quick clamping is possible.  
 △Tomake it easy to use, it has a simple design.

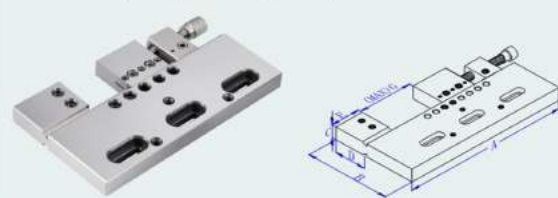


| size(mm)           | model                      | VIS666.25 | VIS666.30 |
|--------------------|----------------------------|-----------|-----------|
| A                  |                            | 175       | 185       |
| B                  |                            | 140       | 140       |
| C                  |                            | 54        | 70        |
| D                  |                            | 30        | 35        |
| E                  |                            | -         | -         |
| G(max)             |                            | 82        | 100       |
| weight (kg)        |                            | 3.7       | 4.5       |
| maximumload (kg)   |                            | 5         | 8         |
| 材质<br>Material     | 马氏体不锈钢<br>SUS440           |           |           |
| 硬度<br>Hardened     | HRC50-55°<br>HRC50-55°     |           |           |
| 平行度<br>parallelism | 0.005/100mm<br>0.005/100mm |           |           |
| 直角度<br>squareness  | 0.005/100mm<br>0.005/100mm |           |           |

**手动慢走丝夹具(虎钳)**

**VIS664**

适用于各种线切割机床上的工件夹持  
 手动设计操作方便灵活，减少工件装夹时间，提升生产效率  
 △The dive pin lock structure is attached to the screw holder, so quick clamping is possible.  
 △Tomake it easy to use, it has a simple design.

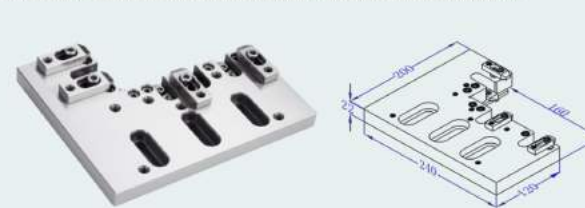


| size(mm)           | model                      | VIS664.100 | VIS664.150 |
|--------------------|----------------------------|------------|------------|
| A                  |                            | 247        | 320        |
| B                  |                            | 145        | 145        |
| C                  |                            | 22         | 22         |
| D                  |                            | 50         | 60         |
| E                  |                            | 60         | 60         |
| G(max)             |                            | 100        | 150        |
| weight (kg)        |                            | 4.5        | 6          |
| maximumload (kg)   |                            | 8          | 10         |
| 材质<br>Material     | 马氏体不锈钢<br>SUS440           |            |            |
| 硬度<br>Hardened     | HRC50-55°<br>HRC50-55°     |            |            |
| 平行度<br>parallelism | 0.005/100mm<br>0.005/100mm |            |            |
| 直角度<br>squareness  | 0.005/100mm<br>0.005/100mm |            |            |

**直角万力**

**VIS667**

适用于线切割机床加工各种板类零件与圆形零件：  
 主体为马氏体不锈钢，淬火后深冷，具有防锈与耐磨损能力：  
 △The two step clamp type can be adjusted for use even on a thin material workpiece.  
 △It can be freely used both on the right and left.  
 △A substrate stopper that can be easily attached or removed is included.

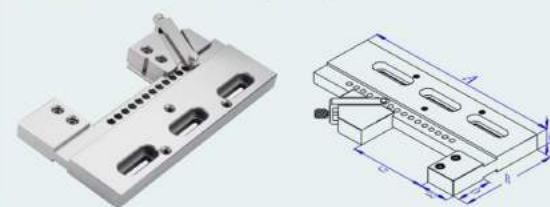


|                    |                            |
|--------------------|----------------------------|
| weight (kg)        | 5.4                        |
| maximumload (kg)   | 12                         |
| 材质<br>Material     | 马氏体不锈钢<br>SUS440           |
| 硬度<br>Hardened     | HRC50-55°<br>HRC50-55°     |
| 平行度<br>parallelism | 0.005/100mm<br>0.005/100mm |
| 直角度<br>squareness  | 0.005/100mm<br>0.005/100mm |

**手动慢走丝夹具(虎钳)**

**VIS665**

适用于各种线切割机床上的工件夹持，  
 手动设计操作方便灵活，减少工件装夹时间，提升生产效率  
 钳口采用特殊角度设计，夹具力强，  
 △The dive pin lock structure is attached to the screw holder, so quick clamping is possible.  
 △Tomake it easy to use, it has a simple design.



| size(mm)           | model                      | VIS665.100 | VIS665.150 |
|--------------------|----------------------------|------------|------------|
| A                  |                            | 220        | 270        |
| B                  |                            | 135        | 135        |
| C                  |                            | 22         | 22         |
| D                  |                            | 45         | 50         |
| E                  |                            | 50         | 60         |
| G(max)             |                            | 100        | 150        |
| weight (kg)        |                            | 4          | 5.5        |
| maximumload (kg)   |                            | 8          | 10         |
| 材质<br>Material     | 马氏体不锈钢<br>SUS440           |            |            |
| 硬度<br>Hardened     | HRC50-55°<br>HRC50-55°     |            |            |
| 平行度<br>parallelism | 0.005/100mm<br>0.005/100mm |            |            |
| 直角度<br>squareness  | 0.005/100mm<br>0.005/100mm |            |            |

**手动慢走丝虎钳**

**VIS654**

适用于各种线切割机床上的工件夹持  
 手动设计操作方便灵活，减少工件装夹时间，提升生产效率  
 夹持范围：0-150mm  
 △The dive pin lock structure is attached to the screw holder, so quick clamping is possible.  
 △Tomake it easy to use, it has a simple design.



|                    |                            |
|--------------------|----------------------------|
| weight (kg)        | 2.8                        |
| maximumload (kg)   | 8                          |
| 材质<br>Material     | 马氏体不锈钢<br>SUS440           |
| 硬度<br>Hardened     | HRC50-55°<br>HRC50-55°     |
| 平行度<br>parallelism | 0.005/100mm<br>0.005/100mm |
| 直角度<br>squareness  | 0.005/100mm<br>0.005/100mm |

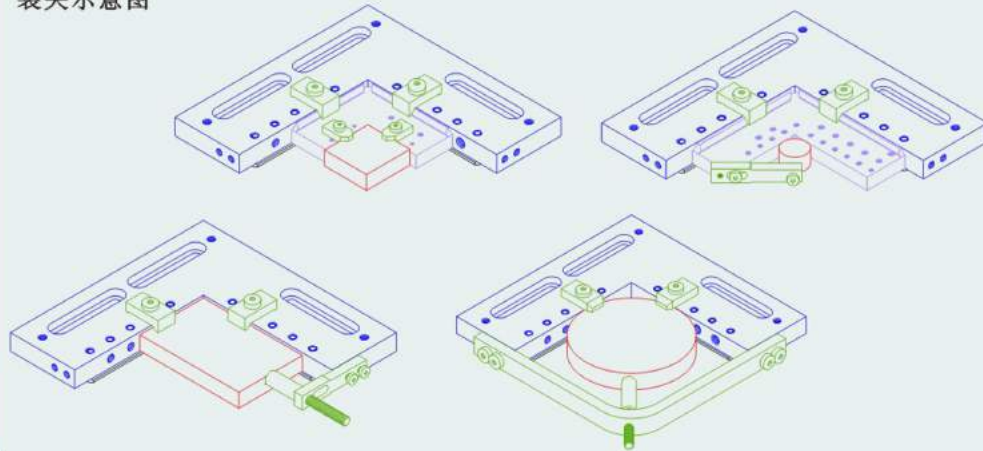
组合直角万力

**VIS668**

适用于线切割机床加工各种板类零件与圆形零件；  
主体为马氏体不锈钢，淬火后深冷，具有防锈与耐磨能力；



装夹示意图



线切割夹圆夹具

**VIS655**

夹具材质为马氏体不锈钢，具有抗腐蚀和耐磨损的特点；  
主要针对圆形零件加工装夹难而设计；  
夹持范围：0-50mm 0-100mm

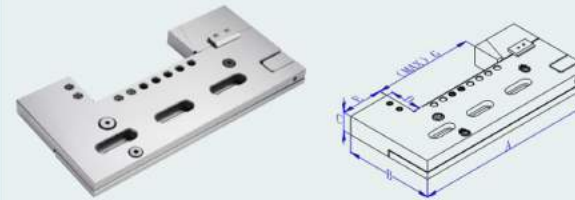
|                    |                            |
|--------------------|----------------------------|
| 材质<br>Material     | 马氏体不锈钢<br>SUS440           |
| 硬度<br>Hardened     | HRC50-55°<br>HRC50-55°     |
| 平行度<br>parallelism | 0.005/100mm<br>0.005/100mm |
| 直角度<br>squareness  | 0.005/100mm<br>0.005/100mm |



可调线切割夹具(虎钳)

**VIS680**

夹具材质为马氏体不锈钢，具有抗腐蚀和耐磨损的特点；  
采用特殊的斜角设计，夹持力强；  
夹具体具有水平/平行X、Y、Z轴微调功能；  
△Short and small, its compact size is perfect for small work pieces.  
△Clamping force works to 45degree obliquely downward and it prevents the work piece from lifting

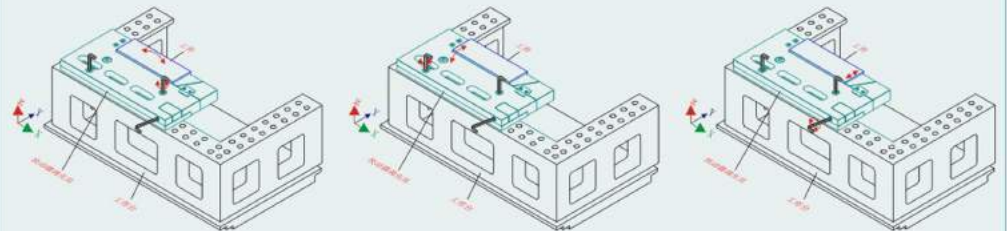


| size (mm)         | model | VIS680. 100 | VIS680. 160 |
|-------------------|-------|-------------|-------------|
| A                 |       | 270         | 350         |
| B                 |       | 170         | 170         |
| C                 |       | 24          | 24          |
| D                 |       | 50          | 60          |
| E                 |       | 60          | 80          |
| G (max)           |       | 100         | 160         |
| weight (kg)       |       | 5.4         | 7.8         |
| maximum load (kg) |       | 6           | 10          |

|                    |                            |
|--------------------|----------------------------|
| 材质<br>Material     | 马氏体不锈钢<br>SUS440           |
| 硬度<br>Hardened     | HRC50-55°<br>HRC50-55°     |
| 平行度<br>parallelism | 0.005/100mm<br>0.005/100mm |
| 直角度<br>squareness  | 0.005/100mm<br>0.005/100mm |

水平/平行X、Y、Z轴微调示意图：

△Workpiece finishing according to standards can be easily done while the vise is attached to the work stand.  
△Work speed can increase because work finishing according to standards can be done without removing the vise each time.



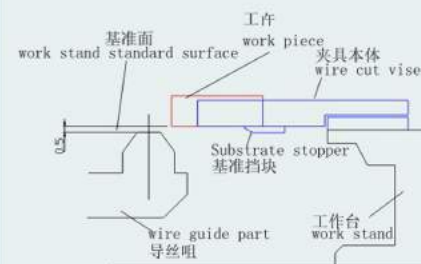
左右可调  
Horizontal adjustment function

上下可调  
Horizontal adjustment function

前后可调  
Parallel adjustment function

装夹位置关系图

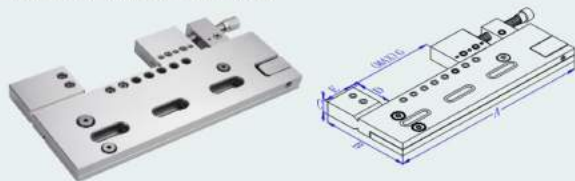
夹具与导丝嘴的位置关系  
△Please remove substrate stopper if it hinders processing.  
△A 0.2mm leeway is given to avoid interference with the wire guide part after adjustment work.



手动可调线切割夹具(虎钳)

**VIS681**

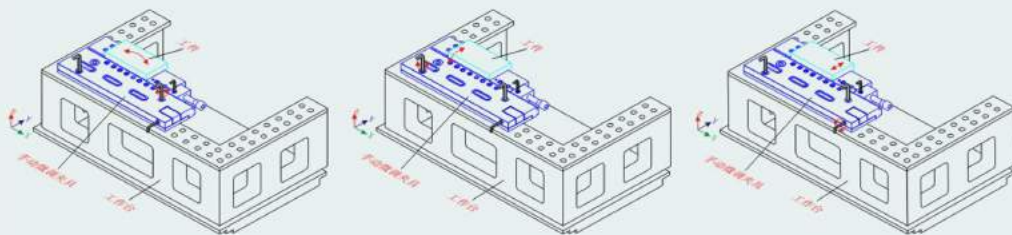
夹具材质为马氏体不锈钢，具有抗腐蚀和耐磨损的特点；  
 手动夹持设计，操作方便、灵活、简单，提升生产效率；  
 夹具本体具有水平/平行X、Y、Z三轴微调功能；  
 △Short and small, its compact size is perfect for small work pieces.  
 △Clamping force works to 45degree obliquely downward and it prevents the work piece from lifting



| size(mm)           | model | VIS681.100                 | VIS681.160 |
|--------------------|-------|----------------------------|------------|
| A                  |       | 260                        | 350        |
| B                  |       | 170                        | 170        |
| C                  |       | 24                         | 24         |
| D                  |       | 50                         | 60         |
| E                  |       | 60                         | 80         |
| G(max)             |       | 100                        | 160        |
| weight(kg)         |       | 4.8                        | 7          |
| maximumload(kg)    |       | 6                          | 10         |
| 材质<br>Material     |       | 马氏体不锈钢<br>SUS440           |            |
| 硬度<br>Hardened     |       | HRC50-55°<br>HRC50-55°     |            |
| 平行度<br>parallelism |       | 0.005/100mm<br>0.005/100mm |            |
| 直角度<br>squareness  |       | 0.005/100mm<br>0.005/100mm |            |

水平/平行X、Y、Z三轴微调示意图：

△Workpiece finishing accord-ing to standards can be easily done while the vise is attached to the work stand.  
 △Work speed can increase because work finishing according to standards can be done without removing the vise each time.



左右可调

Horizontal adjustment function

上下可调

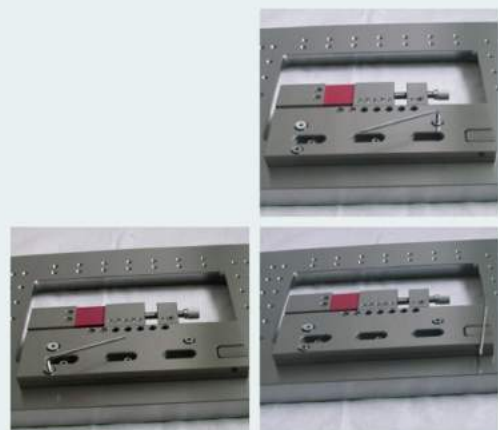
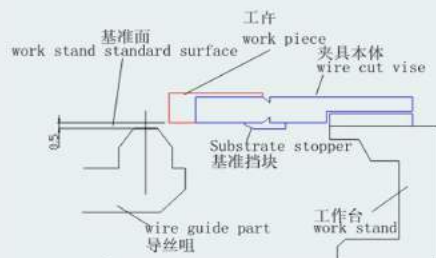
Horizontal adjustment function

前后可调

Parallel adjustment function

装夹位置关系图

夹具与导丝嘴的位置关系  
 △Please remove substrate stopper if it hinders processing.  
 △A 0.2mm leeway is given to avoid interference with the wire guide part after adjustment work.

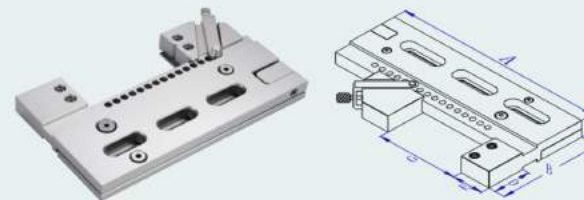


100% compatible with EROWA and 3R

手动可调线切割夹具(虎钳)

**VIS682**

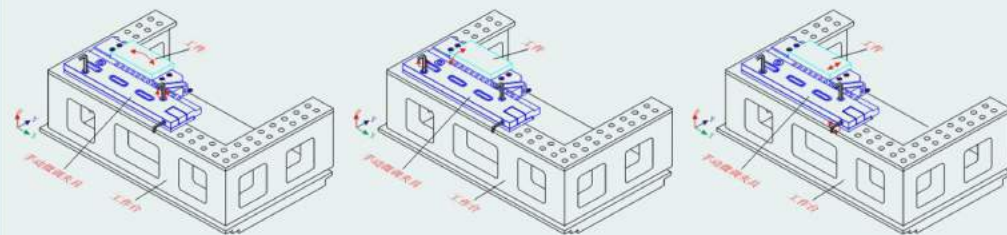
夹具材质为马氏体不锈钢，具有抗腐蚀和耐磨损的特点；  
 手动夹持设计，操作方便、灵活、简单，提升生产效率；  
 夹具本体具有水平/平行X、Y、Z三轴微调功能；  
 △Short and small, its compact size is perfect for small work pieces.  
 △Clamping force works to 45degree obliquely downward and it prevents the work piece from lifting



| size(mm)           | model | VIS682.100                 | VIS682.160 |
|--------------------|-------|----------------------------|------------|
| A                  |       | 220                        | 270        |
| B                  |       | 135                        | 135        |
| C                  |       | 24                         | 24         |
| D                  |       | 45                         | 50         |
| E                  |       | 50                         | 60         |
| G(max)             |       | 100                        | 160        |
| weight(kg)         |       | 4.6                        | 7.2        |
| maximumload(kg)    |       | 6                          | 10         |
| 材质<br>Material     |       | 马氏体不锈钢<br>SUS440           |            |
| 硬度<br>Hardened     |       | HRC50-55°<br>HRC50-55°     |            |
| 平行度<br>parallelism |       | 0.005/100mm<br>0.005/100mm |            |
| 直角度<br>squareness  |       | 0.005/100mm<br>0.005/100mm |            |

水平/平行X、Y、Z三轴微调示意图：

△Workpiece finishing accord-ing to standards can be easily done while the vise is attached to the work stand.  
 △Work speed can increase because work finishing according to standards can be done without removing the vise each time.



左右可调

Horizontal adjustment function

上下可调

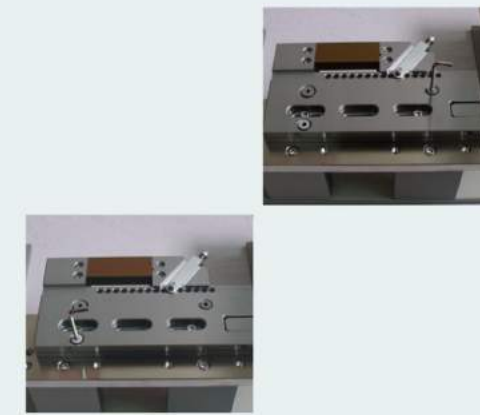
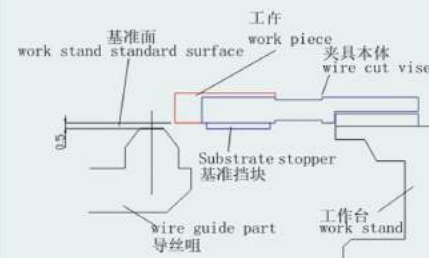
Horizontal adjustment function

前后可调

Parallel adjustment function

装夹位置关系图

夹具与导丝嘴的位置关系  
 △Please remove substrate stopper if it hinders processing.  
 △A 0.2mm leeway is given to avoid interference with the wire guide part after adjustment work.



100% compatible with EROWA and 3R

可调线切割夹具(虎钳)

**VIS683**

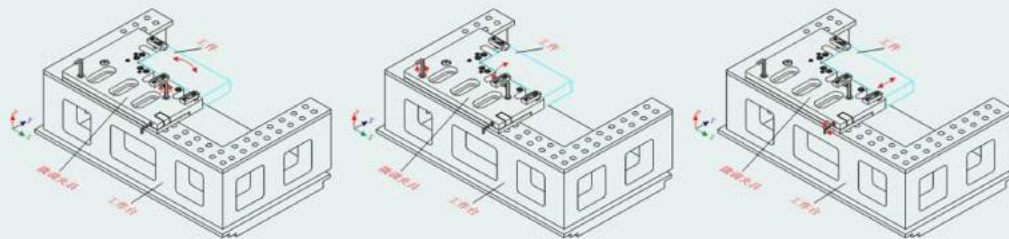
夹具材质为马氏体不锈钢, 具有抗腐蚀和耐磨损的特点:  
 夹具本体具有水平/平行X、Y、Z三轴微调功能:  
 △Short and small, its compact size is perfect for small work pieces.  
 △Clamping force works to 45degree obliquely downward and it prevents the work piece from lifting

|                    |                            |
|--------------------|----------------------------|
| weight (kg)        | 4.5                        |
| maximumload (kg)   | 8                          |
| 材质<br>Material     | 马氏体不锈钢<br>SUS440           |
| 硬度<br>Hardened     | HRC50-55°<br>HRC50-55°     |
| 平行度<br>parallelism | 0.005/100mm<br>0.005/100mm |
| 直角度<br>squareness  | 0.005/100mm<br>0.005/100mm |



水平/平行X、Y、Z三轴微调示意图:

△Workpiece finishing according to standards can be easily done while the vise is attached to the work stand.  
 △Work speed can increase because work finishing according to standards can be done without removing the vise each time.



左右可调

Horizontal adjustment function

上下可调

Horizontal adjustment function

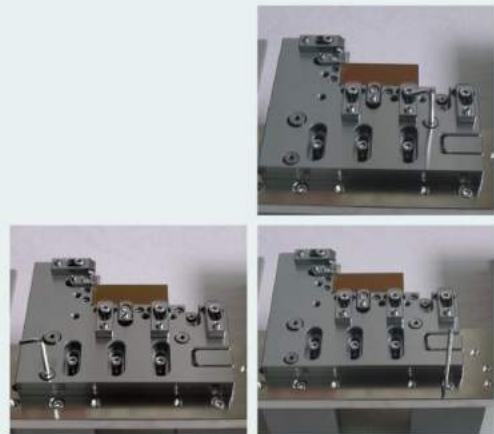
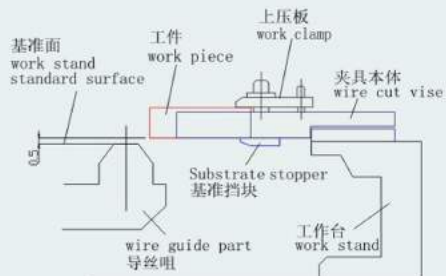
前后可调

Parallel adjustment function

装夹位置关系图

夹具与导丝嘴的位置关系

△Please remove substrate stopper if it hinders processing.  
 △A 0.2mm leeway is given to avoid interference with the wire guide part after adjustment work.



100% compatible with EROWA and 3R

可调线切割夹具(虎钳)

**VIS684**

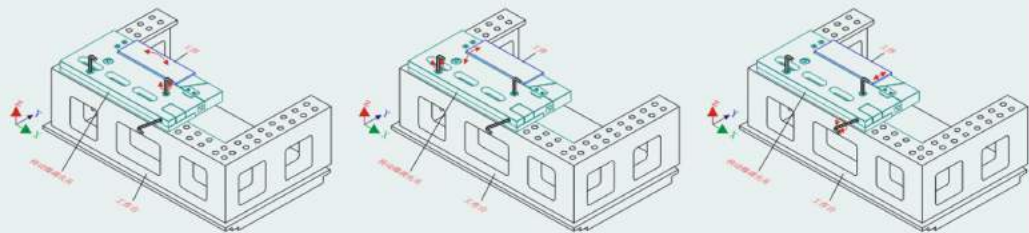
夹具材质为马氏体不锈钢, 具有抗腐蚀和耐磨损的特点:  
 采用特殊的斜角设计, 夹持力强:  
 夹具本体具有水平/平行X、Y、Z三轴微调功能:  
 △Short and small, its compact size is perfect for small work pieces.  
 △Clamping force works to 45degree obliquely downward and it prevents the work piece from lifting

| size (mm)          | model | VIS684.100                 | VIS684.160 |
|--------------------|-------|----------------------------|------------|
| A                  |       | 240                        | 300        |
| B                  |       | 160                        | 160        |
| C                  |       | 24                         | 24         |
| D                  |       | 50                         | 50         |
| E                  |       | 60                         | 60         |
| G (max)            |       | 100                        | 160        |
| weight (kg)        |       | 5.4                        | 7.8        |
| maximumload (kg)   |       | 6                          | 10         |
| 材质<br>Material     |       | 马氏体不锈钢<br>SUS440           |            |
| 硬度<br>Hardened     |       | HRC50-55°<br>HRC50-55°     |            |
| 平行度<br>parallelism |       | 0.005/100mm<br>0.005/100mm |            |
| 直角度<br>squareness  |       | 0.005/100mm<br>0.005/100mm |            |



水平/平行X、Y、Z三轴微调示意图:

△Workpiece finishing according to standards can be easily done while the vise is attached to the work stand.  
 △Work speed can increase because work finishing according to standards can be done without removing the vise each time.



左右可调

Horizontal adjustment function

上下可调

Horizontal adjustment function

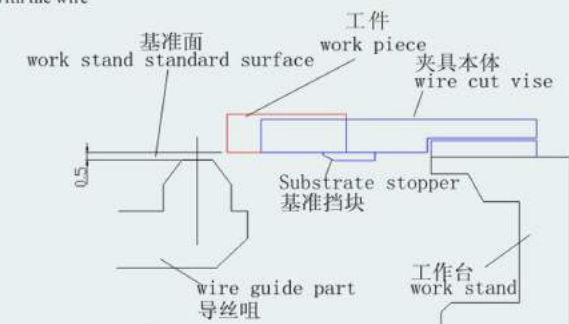
前后可调

Parallel adjustment function

装夹位置关系图

夹具与导丝嘴的位置关系

△Please remove substrate stopper if it hinders processing.  
 △A 0.2mm leeway is given to avoid interference with the wire guide part after adjustment work.



100% compatible with EROWA and 3R

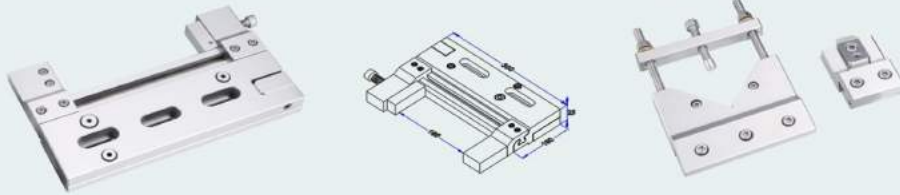
可调组合线切割夹具(虎钳)

**VIS685**

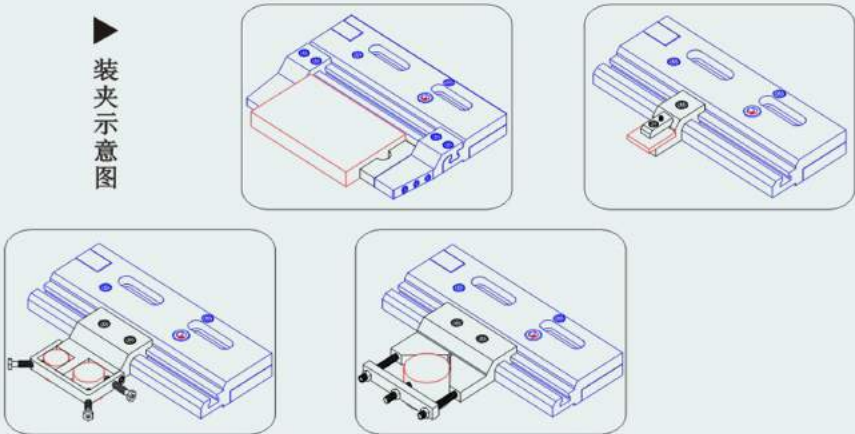
夹具材质为马氏体不锈钢, 具有抗腐蚀和耐磨损的特点;  
 采用特殊的斜角设计, 夹持力强;  
 夹具本体具有水平/平行X、Y、Z三轴微调功能:  
 △Short and small, its compact size is perfect for small work pieces.  
 △Clamping force works to 45degree obliquely downward and it prevents the work piece from lifting

|                    |                            |
|--------------------|----------------------------|
| 材质<br>Material     | 马氏体不锈钢<br>SUS440           |
| 硬度<br>Hardened     | HRC50-55°<br>HRC50-55°     |
| 平行度<br>parallelism | 0.005/100mm<br>0.005/100mm |
| 直角度<br>squareness  | 0.005/100mm<br>0.005/100mm |

选配附件

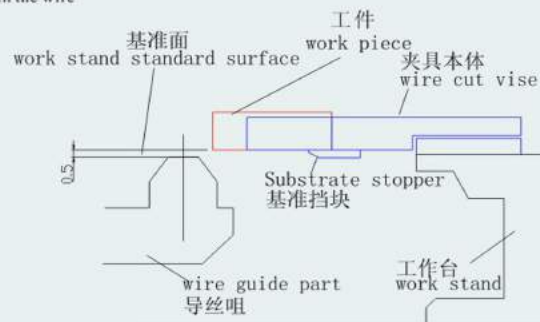


装夹示意图



装夹位置关系图

夹具与导丝嘴的位置关系  
 △Please remove substrate stopper if it hinders processing.  
 △A 0.2mm leeway is given to avoid interference with the wire guide part after adjustment work.



水平调节式通用底座

**VIS686**

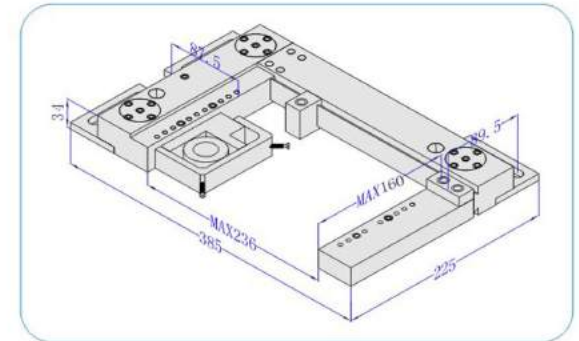


产品特征:

夹具采用了特殊球面支撑, 简化了工件水平对中工作, 大大缩短了装夹时间, 提高了机械动作的效率。

特别附件一夹具主体配合, 用于各种大小圆形零件的加工, 用于宽大平板的L块以及用于薄零件的钳口全部组合起来后, 可以更加有效地固定各种零件。

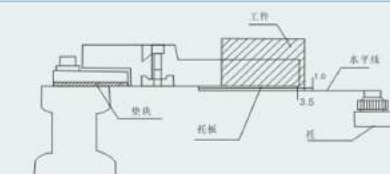
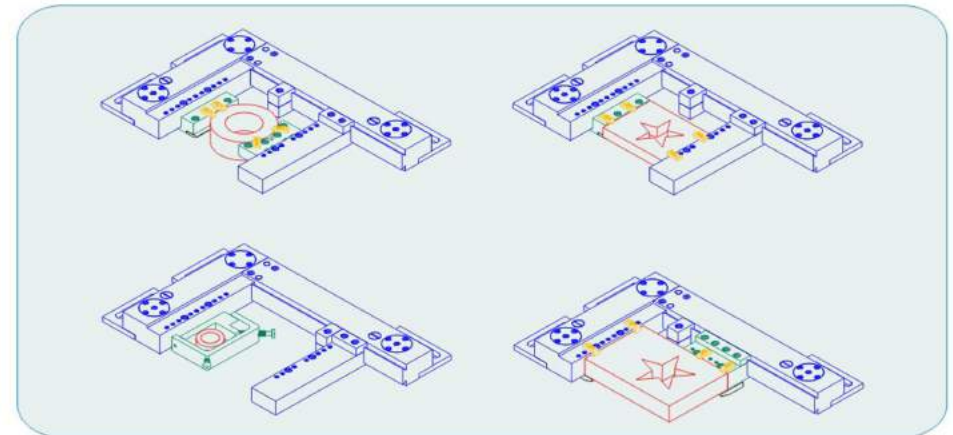
规格尺寸:



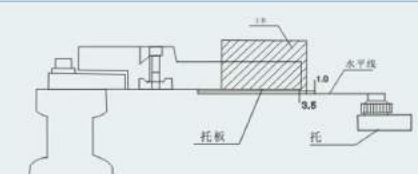
Features:

- △Through the adoption of special spherical bearings, horizontal centering of the work can be easily done, setup time is greatly shortened, and machine operation rate is improved.
- △Various works can be efficiently set by combining special accessories such as V block for large/small round work, L-type block for wide flat-plate work, and jaw, for thin work.
- △These are superior in rustproofing by adopting martensitic stainless steel (quenched/ground/finished).

装夹示意图



When the spacer (standard attachment) is not used.  
 Due to the thickness of work receiver which is 4.5mm, its underside lowers form the table zero line by 3.5mm.  
 In this case, the distance between the underside of work and the table zero will be 10mm.  
 Attention should be paid to interference between the work receiver and the lower wire gride.



When the spacer (standard attachment) is used.  
 Due to the thickness of spacer which is 4mm, its underside workreceiver lifts form the table zero line by 0.5mm.  
 In this case, the distance between the underside of work and the table zero will be 5.0mm, since the underside of interference cannot be caused by the wire guide.



横梁线切割夹具 (虎钳)

**VIS693**

线切割虎钳与横梁配合使用，钳口是可移动设计，可夹持更大的工件，操作方便快捷。



横梁

**VIS690**

横梁适用于线切割机大尺寸的零件加工，产品可根据客户机床行程定做。

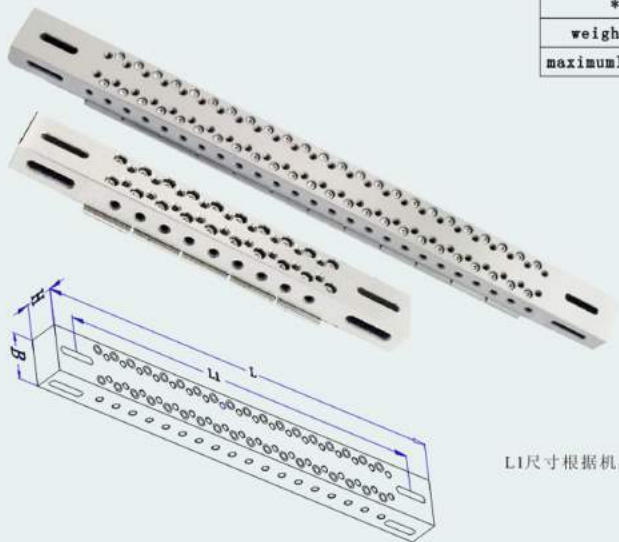
2个一组可稳定固定平板零件

可配合VIS693精密虎钳使用，提升横梁的使用率

These are designed/manufactured in accordance with various work stands.

A flat-plate work can be stably fixed with one set of two pieces.

| model            | size(mm) | L | L1 | B  | H |
|------------------|----------|---|----|----|---|
| **               | 370      | - | 50 | 25 |   |
| **               | 450      | - | 50 | 30 |   |
| **               | 550      | - | 50 | 30 |   |
| **               | 650      | - | 60 | 35 |   |
| **               | 750      | - | 60 | 40 |   |
| **               | 950      | - | 80 | 45 |   |
| weight (kg)      |          | - | -  | -  | - |
| maximumload (kg) |          | - | -  | -  | - |



L1尺寸根据机床工作台中心距确定

|                    |                            |
|--------------------|----------------------------|
| 材质<br>Material     | 马氏体不锈钢<br>SUS440           |
| 硬度<br>Hardened     | HRC50-550<br>HRC50-550     |
| 平行度<br>parallelism | 0.005/100mm<br>0.005/100mm |
| 直角度<br>squareness  | 0.005/100mm<br>0.005/100mm |

100% compatible with EROWA and 3R

横梁

**VIS691**

横梁适用于线切割机大尺寸的零件加工，产品可根据客户机床行程定做



| model            | size(mm) | L | L1 | B  | H |
|------------------|----------|---|----|----|---|
| **               | 370      | - | 45 | 30 |   |
| **               | 450      | - | 60 | 30 |   |
| **               | 550      | - | 60 | 30 |   |
| **               | 650      | - | 80 | 36 |   |
| **               | 750      | - | 80 | 36 |   |
| **               | 950      | - | 80 | 40 |   |
| weight (kg)      |          | - | -  | -  | - |
| maximumload (kg) |          | - | -  | -  | - |

横梁

**VIS692**

横梁适用于线切割机大尺寸的零件加工，产品可根据客户机床行程定做



| model            | size(mm) | L | L1 | B  | H |
|------------------|----------|---|----|----|---|
| **               | 370      | - | 45 | 30 |   |
| **               | 450      | - | 60 | 30 |   |
| **               | 550      | - | 60 | 30 |   |
| **               | 650      | - | 80 | 36 |   |
| **               | 750      | - | 80 | 36 |   |
| **               | 950      | - | 80 | 40 |   |
| weight (kg)      |          | - | -  | -  | - |
| maximumload (kg) |          | - | -  | -  | - |

横梁

**VIS694**

横梁适用于线切割机大尺寸的零件加工，产品可根据客户机床行程定做



| model            | size(mm) | L | L1 | B  | H |
|------------------|----------|---|----|----|---|
| **               | 370      | - | 90 | 22 |   |
| **               | 450      | - | 90 | 22 |   |
| **               | 550      | - | 90 | 25 |   |
| **               | 650      | - | 90 | 25 |   |
| **               | 750      | - | 90 | 25 |   |
| **               | 950      | - | 90 | 30 |   |
| weight (kg)      |          | - | -  | -  | - |
| maximumload (kg) |          | - | -  | -  | - |

100% compatible with EROWA and 3R

一目治具

**VIS670**

适用于线切割机床装夹各类零件加工。  
推荐工件最大重量为20kg

规格: 120X50X15 150X50X15  
180X50X15 120X60X15

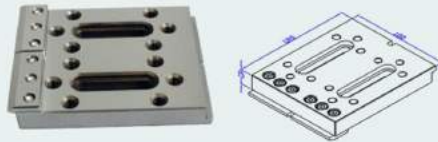


二目治具

**VIS671**

适用于线切割机床装夹各类零件加工。  
推荐工件最大重量为20kg

规格: 120X100X15

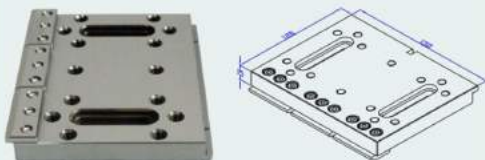


三目治具

**VIS672**

适用于线切割机床装夹各类零件加工。  
推荐工件最大重量为20kg

规格: 120X150X15



加长治具

**VIS673**

适用于线切割机床装夹各类零件加工。  
可调整长度为35-135毫米  
推荐工件最大重量为20kg



治具

**VIS674**

适用于线切割机床装夹各类零件加工。  
可调整长度为35-135毫米  
推荐工件最大重量为20kg



压板

**VIS675**

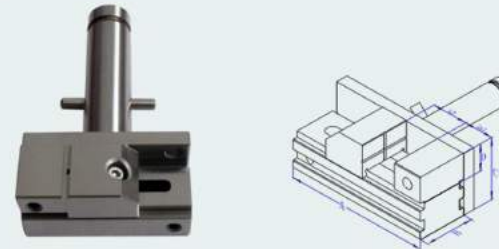
与横梁/治具配合使用，压持工件，使工件不松动

规格: 70X23X8 70X23X12  
材质: 420 304



不锈钢电极万力

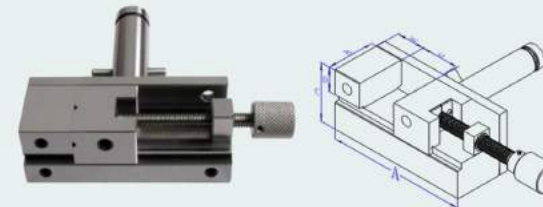
**VIS676**



| size(mm) \ model | 1.0" | 1.5" | 2.0" |
|------------------|------|------|------|
| A                | 65   | 100  | 135  |
| B                | 25   | 35   | 50   |
| C                | 30   | 35   | 50   |
| D                | 12   | 16   | 24   |
| E                | 18   | 25   | 30   |
| G(max)           | 20   | 45   | 60   |
| weight(kg)       | -    | -    | -    |
| maximumload(kg)  | -    | -    | -    |

手动不锈钢电极万力

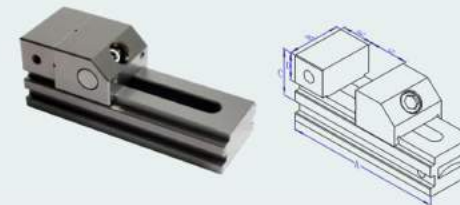
**VIS677**



| size(mm) \ model | 1.5" | 2.0" |
|------------------|------|------|
| A                | 100  | 135  |
| B                | 35   | 50   |
| C                | 35   | 50   |
| D                | 16   | 24   |
| E                | 25   | 30   |
| G(max)           | 45   | 60   |
| weight(kg)       | -    | -    |
| maximumload(kg)  | -    | -    |

不锈钢工具万力

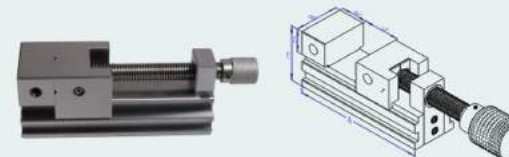
**VIS678**



| size(mm) \ model | 15  | 20  | 25  | 30  | 40  |
|------------------|-----|-----|-----|-----|-----|
| A                | 100 | 140 | 172 | 190 | 230 |
| B                | 35  | 48  | 63  | 73  | 98  |
| C                | 40  | 50  | 60  | 70  | 80  |
| D                | 20  | 25  | 30  | 35  | 40  |
| E                | 25  | 25  | 30  | 35  | 40  |
| G(max)           | 45  | 75  | 90  | 100 | 125 |
| weight(kg)       | -   | -   | -   | -   | -   |
| maximumload(kg)  | -   | -   | -   | -   | -   |

手动不锈钢工具万力

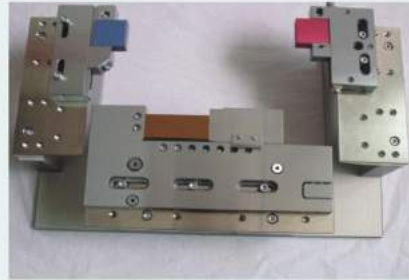
**VIS679**



| size(mm) \ model | 20  | 25  | 30  | 40  |
|------------------|-----|-----|-----|-----|
| A                | 140 | 100 | 180 | 230 |
| B                | 48  | 65  | 73  | 98  |
| C                | 55  | 69  | 78  | 92  |
| D                | 25  | 30  | 35  | 45  |
| E                | 25  | 30  | 35  | 40  |
| G(max)           | -   | -   | -   | -   |
| weight(kg)       | -   | -   | -   | -   |
| maximumload(kg)  | -   | -   | -   | -   |

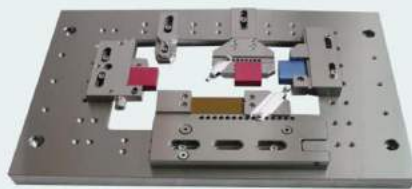
**慢走丝工作台 VIS610 custom-made**

材料为马氏体不锈钢，热处理：调质HB225-245，是线切割机床最主要的组成部分之一，按要求定制



**慢走丝工作台 VIS611 custom-made**

材料为马氏体不锈钢，热处理：调质HB225-245，是线切割机床最主要的组成部分之一，按要求定制



**夹紧支承千斤顶 VIS612**

适用于WEDM慢走丝线切割机床，针对加工零件的厚度不同，夹紧支承千斤顶可以灵活调节高度，方便稳定可靠。

Height:30~100 mm



**夹紧架高螺丝 VIS613**

适用于WEDM慢走丝线切割机床，针对加工零件的厚度不同，架高螺丝可以灵活调节高度，方便稳定可靠。

Height:30~130 mm



**冲子成型器 PUNCH FORMER**

|   |  |  |   |
|---|--|--|---|
| <br>单冲子成型器<br>Punch Former<br>EPT-101<br>NO.02                                  | <br>电动调速单向冲子成型器<br>Electric speed regulating one-way punch forming device<br>EPT-101D<br>NO.03 | <br>双向冲子成型器<br>2-Way Punch Former<br>EPT-102<br>NO.04                      | <br>三爪冲子成型器<br>ER Collet Punch Former<br>EPT-103<br>NO.05             |
| <br>电动调速三爪冲子成型器<br>Motor 3-Jaw Punch Former<br>EPT-103D<br>NO.06                | <br>陶瓷研磨器<br>Motor ER Collet Punch Former<br>EPT-104<br>NO.08                                  | <br>电动调速陶瓷式ER冲子成型器<br>ER Collet Dividing Punch Former<br>EPT-104D<br>NO.06 | <br>大型三爪冲子成型器<br>3Jaws Punch Former(big)<br>EPT-105<br>NO.07          |
| <br>大型电动三爪冲子成型器<br>Precision Motor 3Jaws Punch Former(big)<br>EPT-105D<br>NO.07 | <br>大型双向冲子成型器<br>Big Punch Former<br>EPT-106<br>NO.08  | <br>大型双向冲子成型器<br>Punch Former(Two-Way)<br>EPT-107<br>NO.08                 | <br>大型三爪冲子成型器<br>3Jaws Punch Former(big)<br>EPT-106<br>NO.07          |
| <br>中型单向冲子成型器<br>Medium-Sized Punch Former<br>EPT-108<br>NO.09                  | <br>中型双向冲子成型器<br>Medium 2-Way Punch Former<br>EPT-109<br>NO.09                                 | <br>单向顶针冲子成型器<br>Single-Way Punch Former<br>EPT-1011<br>NO.10              | <br>电动单向顶针冲子成型器<br>Single-Way Motor Punch Former<br>EPT-1012<br>NO.10 |
| <br>三爪顶针冲子成型器<br>3-Jaws Punch Former<br>EPT-1091<br>NO.11                       | <br>电动三爪顶针冲子成型器<br>3-Jaws Motor Punch Former<br>EPT-1092<br>NO.11                              | <br>手动顶针冲子成型器<br>Manual Thumbstall Punch Former<br>EPT-1061<br>NO.12       | <br>电动顶针冲子成型器<br>Motor Thumbstall Punch Former<br>EPT-1062<br>NO.12   |
| <br>冲子正弦塞<br>Sine Plate For Punch Former<br>EPT-1013<br>NO.13                   | <br>替换式螺纹研磨滑座(不锈钢)<br>Replaceable type Thread Grinding Slider<br>EPT-1063<br>NO.14             |  |   |

**磁臺 MAGNETIC CHUCK**

|  |  |  |  |   |
|--|--|--|--|---|
| <br>一维正弦磁塞(超薄型)<br>Sine Plate With Fine Magnetic Chuck<br>EPT-501<br>NO.24       | <br>超薄磁塞<br>Fine Adjustment Sine Plate With Magnetic Chuck<br>EPT-502<br>NO.24 | <br>超薄磁塞<br>Rotary Permanent Magneto Chuck<br>EPT-503<br>NO.26                 | <br>正弦塞<br>Sine Plate<br>EPT-5041<br>NO.26                           | <br>双向正弦塞<br>Compound Sine Plate<br>EPT-5042<br>NO.26                           |
| <br>高精度钢塞<br>Steel Metric Gauge Block<br>EPT-5043<br>NO.26                       | <br>陶瓷磁塞<br>Carbide Metric Gauge Block<br>EPT-5044<br>NO.27                    | <br>陶瓷磁塞<br>Ceramic Gauge Block<br>EPT-5045<br>NO.28                           | <br>薄型永磁磁塞<br>Thin Type Permanent Magneto Chuck<br>EPT-5046<br>NO.29 | <br>厚型精密永磁磁塞<br>Thick Type Precise Permanent Magneto Chuck<br>EPT-5047<br>NO.29 |
| <br>强力薄型永磁磁塞<br>Powerful Micropitch Permanent Magneto Chuck<br>EPT-5048<br>NO.30 | <br>超薄永磁磁塞<br>Micro pitch Permanent Magneto Chuck<br>EPT-5049<br>NO.31         | <br>精密调整旋转磁塞<br>Precision Adjustment Rotary Magneto Chuck<br>EPT-5050<br>NO.32 | <br>电枢永磁磁塞<br>Neopower Magneto Chuck<br>EPT-5050/70<br>NO.33 NO.34   |   |