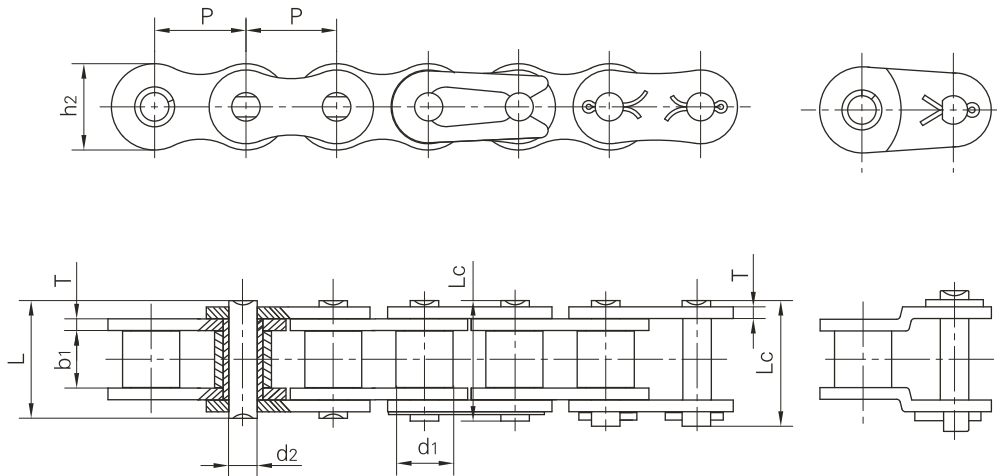




AGS-TECH VISION CHAINS

传动用滚子链 Driving chains

A系列短节距精密滚子链 Short pitch precision roller chains (A series)



单排滚子链/套筒链 Simplex roller chains & bushing chains

DIN/ISO 链号 DIN/ISO Chain No.	ANSI 链号 ANSI Chain No.	节距 Pitch P	滚子直径 Roller diameter d1 max	内节内宽 Width between inner plates b1 min	销轴直径 Pin diameter d2 max	销轴长度 Pin length		内链板高度 Inner plate depth h2 max	链板厚度 Plate thick- ness T max	极限拉伸载荷 Ultimate tensile strength Q min	平均拉伸载荷 Average tensile strength Q0	每米长重 Weight per meter q
						L max	Lc max					
*03C	*15	4.7625	2.48	2.38	1.62	6.10	6.90	4.30	0.60	1.80/409	2.0	0.08
*04C-1	*25	6.350	3.30	3.18	2.31	7.90	8.40	6.00	0.80	3.50/795	4.6	0.15
*06C-1	*35	9.525	5.08	4.77	3.58	12.40	13.17	9.00	1.30	7.90/1795	10.8	0.33
085-1	41	12.700	7.77	6.25	3.58	13.75	15.00	9.91	1.30	6.67/1516	12.6	0.41
08A-1	40	12.700	7.95	7.85	3.96	16.60	17.80	12.00	1.50	14.10/3205	17.5	0.62
10A-1	50	15.875	10.16	9.40	5.08	20.70	22.20	15.09	2.03	22.20/5045	29.4	1.02
12A-1	60	19.050	11.91	12.57	5.94	25.90	27.70	18.00	2.42	31.80/7227	41.5	1.50
16A-1	80	25.400	15.88	15.75	7.92	32.70	35.00	24.00	3.25	56.70/12886	69.4	2.60
20A-1	100	31.750	19.05	18.90	9.53	40.40	44.70	30.00	4.00	88.50/20114	109.2	3.91
24A-1	120	38.100	22.23	25.22	11.10	50.30	54.30	35.70	4.80	127.00/28864	156.3	5.62
28A-1	140	44.450	25.40	25.22	12.70	54.40	59.00	41.00	5.60	172.40/39182	212.0	7.50
32A-1	160	50.800	28.58	31.55	14.27	64.80	69.60	47.80	6.40	226.80/51545	278.9	10.10
36A-1	180	57.150	35.71	35.48	17.46	72.80	78.60	53.60	7.20	280.20/63682	341.8	13.45
40A-1	200	63.500	39.68	37.85	19.85	80.30	87.20	60.00	8.00	353.80/80409	431.6	16.15
48A-1	240	76.200	47.63	47.35	23.81	95.50	103.00	72.39	9.50	510.30/115977	622.5	23.20

*套筒链:表中滚子直径d1为套筒直径

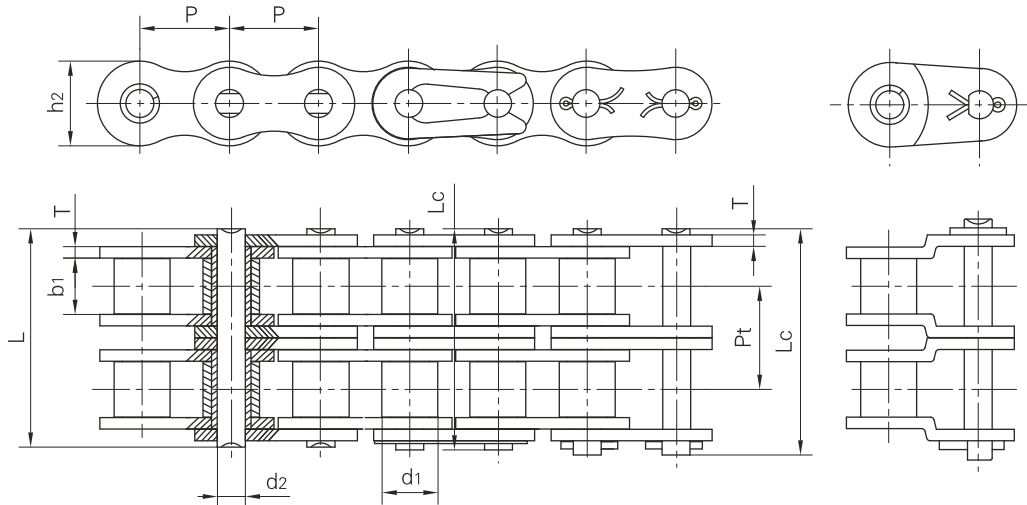
*Bushing chains: d1 in the table indicate the external diameter of the bushing.



AGS-TECH VISION CHAINS

传动用滚子链 Driving chain

A系列短节距精密滚子链 Short pitch precision roller chains (A series)



双排滚子链/套筒链 Duplex roller chains & bushing chains

DIN/ISO 链号 DIN/ISO Chain No.	ANSI 链号 ANSI Chain No.	节距 Pitch P	滚子直径 Roller diameter d1 max	内节内宽 Width between inner plates b1 min	销轴直径 Pin diameter d2 max	销轴长度 Pin length		内链板高度 Inner plate depth h2 max	链板厚度 Plate thick- ness T max	排距 Transversal pitch Pt	极限拉伸载荷 Ultimate tensile strength Q min	平均拉伸载荷 Average tensile strength Q0	每米长重 Weight per meter q
						L max	Lc max						
						mm	mm						
*04C-2	*25-2	6.350	3.30	3.18	2.31	14.5	15.0	6.00	0.80	6.40	7.00/1591	8.6	0.28
*06C-2	*35-2	9.525	5.08	4.77	3.58	22.5	23.3	9.00	1.30	10.13	15.80/3591	19.7	0.63
085-2	41-2	12.700	7.77	6.25	3.58	25.7	26.9	9.91	1.30	11.95	13.34/3032	16.9	0.81
08A-2	40-2	12.700	7.95	7.85	3.96	31.0	32.2	12.00	1.50	14.38	28.20/6409	35.9	1.12
10A-2	50-2	15.875	10.16	9.40	5.08	38.9	40.4	15.09	2.03	18.11	44.40/10091	58.1	2.00
12A-2	60-2	19.050	11.91	12.57	5.94	48.8	50.5	18.00	2.42	22.78	63.60/14455	82.1	2.92
16A-2	80-2	25.400	15.88	15.75	7.92	62.7	64.3	24.00	3.25	29.29	113.40/25773	141.8	5.15
20A-2	100-2	31.750	19.05	18.90	9.53	76.4	80.5	30.00	4.00	35.76	177.00/40227	219.4	7.80
24A-2	120-2	38.100	22.23	25.22	11.10	95.8	99.7	35.70	4.80	45.44	254.00/57727	314.9	11.70
28A-2	140-2	44.450	25.40	25.22	12.70	103.3	107.9	41.00	5.60	48.87	344.80/78364	427.5	15.14
32A-2	160-2	50.800	28.58	31.55	14.27	123.3	128.1	47.80	6.40	58.55	453.60/103091	562.4	20.14
36A-2	180-2	57.150	35.71	35.48	17.46	138.6	144.4	53.60	7.20	65.84	560.50/127386	695.0	29.22
40A-2	200-2	63.500	39.68	37.85	19.85	151.9	158.8	60.00	8.00	71.55	707.60/160818	877.4	32.24
48A-2	240-2	76.200	47.63	47.35	23.81	183.4	190.8	72.39	9.50	87.83	1020.60/213955	1255.3	45.23

*套筒链:表中滚子直径d1为套筒直径

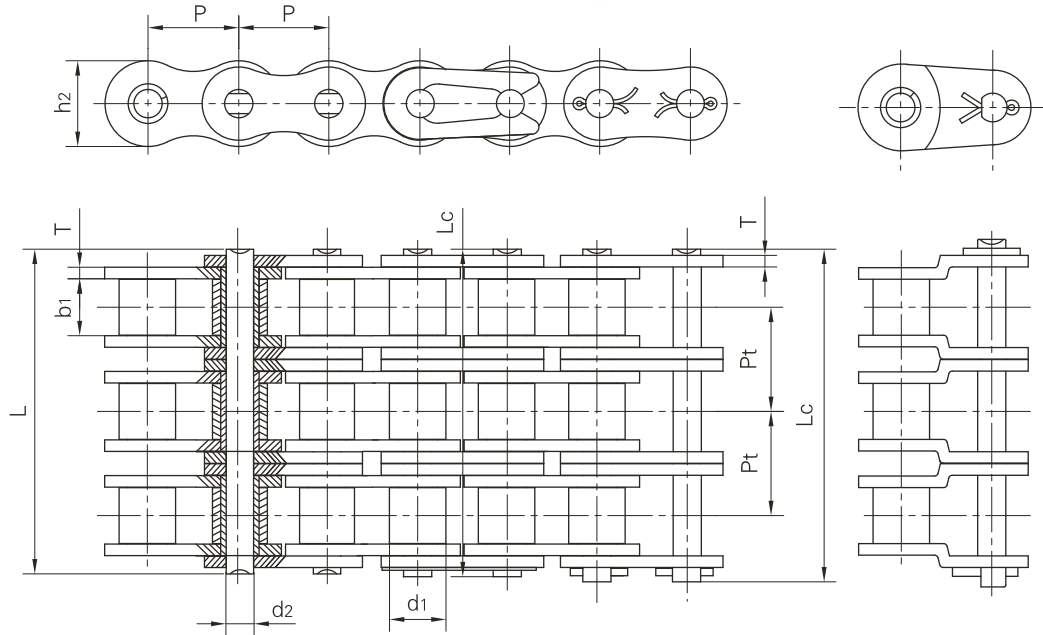
*Bushing chains: d1 in the table indicate the external diameter of the bushing.



AGS-TECH VISION CHAINS

传动用滚子链 Driving chains

A系列短节距精密滚子链 Short pitch precision roller chains (A series)



三排滚子链/套筒链
Triplex roller chains & bushing chains

DIN/ISO 链号 DIN/ISO Chain No.	ANSI 链号 ANSI Chain No.	节距 Pitch P	滚子直径 Roller diameter d1 max	内节内宽 Width between inner plates b1 min	销轴直径 Pin diameter d2 max	销轴长度 Pin length		内链板高度 Inner plate depth h2 max	链板厚度 Plate thickness T max	排距 Transversal pitch Pt	极限拉伸载荷 Ultimate tensile strength Q min	平均拉伸载荷 Average tensile strength Q0	每米长重 Weight per meter q
						L max	Lc max						
						mm	mm						
*04C-3	*25-3	6.350	3.30	3.18	2.31	21.0	21.5	6.00	0.80	6.40	10.5/2386	12.6	0.44
*06C-3	*35-3	9.525	5.08	4.77	3.58	32.7	33.5	9.00	1.30	10.13	23.7/5386	28.6	1.05
08A-3	40-3	12.700	7.95	7.85	3.96	45.4	46.6	12.00	1.50	14.38	42.3/9614	50.0	1.90
10A-3	50-3	15.875	10.16	9.40	5.08	57.0	58.5	15.09	2.03	18.11	66.6/15136	77.8	3.09
12A-3	60-3	19.050	11.91	12.57	5.94	71.5	73.3	18.00	2.42	22.78	95.4/21682	111.1	4.54
16A-3	80-3	25.400	15.88	15.75	7.92	91.7	93.6	24.00	3.25	29.29	170.1/38659	198.4	7.89
20A-3	100-3	31.750	19.05	18.90	9.53	112.2	116.3	30.00	4.00	35.76	265.5/60341	309.6	11.77
24A-3	120-3	38.100	22.23	25.22	11.10	141.4	145.2	35.70	4.80	45.44	381.0/86591	437.2	17.53
28A-3	140-3	44.450	25.40	25.22	12.70	152.2	156.8	41.00	5.60	48.87	517.2/117545	593.3	22.20
32A-3	160-3	50.800	28.58	31.55	14.27	181.8	186.6	47.80	6.40	58.55	680.4/154636	780.6	30.02
36A-3	180-3	57.150	35.71	35.48	17.46	204.4	210.2	53.60	7.20	65.84	840.7/191068	983.6	38.22
40A-3	200-3	63.500	39.68	37.85	19.85	223.5	230.4	60.00	8.00	71.55	1061.4/241227	1217.8	49.03
48A-3	240-3	76.200	47.63	47.35	23.81	271.3	278.6	72.39	9.50	87.83	1530.9/347932	1756.5	71.60

*套筒链:表中滚子直径d1为套筒直径

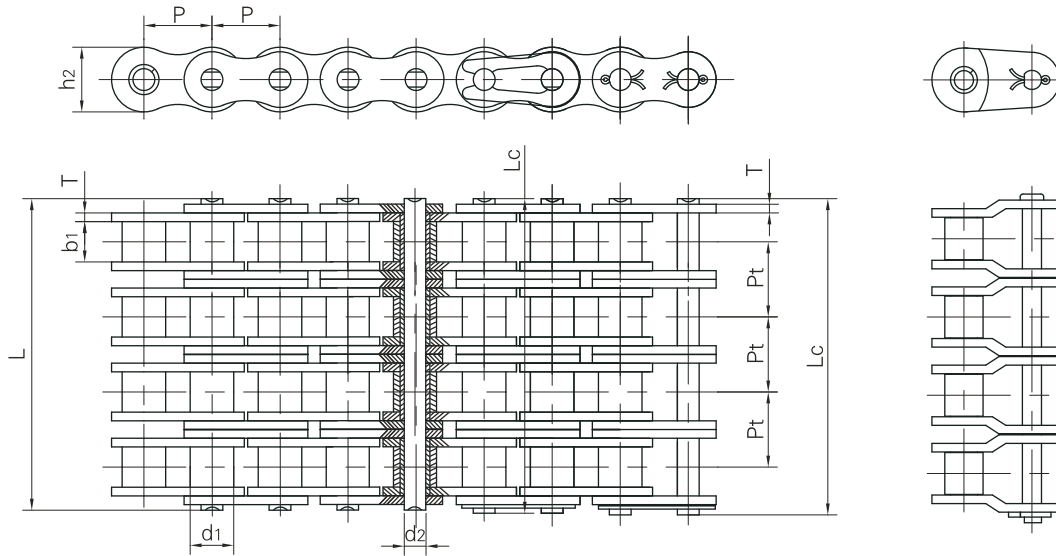
*Bushing chains: d1 in the table indicate the external diameter of the bushing.



AGS-TECH VISION CHAINS

传动用滚子链 Driving chains

A系列短节距精密滚子链 Short pitch precision roller chains (A series)



多排滚子链 Multiple strand roller chains

DIN/ISO 链号 DIN/ISO Chain No.	ANSI 链号 ANSI Chain No.	节距 Pitch	滚子直径 Roller diameter	内节内宽 Width between inner plates	销轴直径 Pin diameter	销轴长度 Pin length		内链板高度 Inner plate depth	链板厚度 Plate thickness	排距 Transversal pitch	极限拉伸载荷 Ultimate tensile strength	平均拉伸载荷 Average tensile strength	每米长重 Weight per meter
						L max	Lc max						
		P	d1 max	b1 min	d2 max	L max	Lc max	h2 max	T max	Pt	Q min	Q0	q
		mm	mm	mm	mm	mm	mm	mm	mm	mm	kN/LB	kN	kg/m
08A-4	40-4	12.700	7.95	7.85	3.96	59.8	61.0	12.00	1.50	14.38	56.4/12687	62.04	2.57
10A-4	50-4	15.875	10.16	9.40	5.08	75.1	76.6	15.09	2.03	18.11	88.8/19976	97.68	4.30
12A-4	60-4	19.050	11.91	12.57	5.94	94.4	96.1	18.00	2.42	22.78	127.2/28614	139.92	6.21
16A-4	80-4	25.400	15.88	15.75	7.92	121.0	124.4	24.00	3.25	29.29	226.8/51020	249.48	10.37
08A-5	40-5	12.700	7.95	7.85	3.96	74.2	75.4	12.00	1.50	14.38	70.5/15859	77.55	3.19
10A-5	50-5	15.875	10.16	9.40	5.08	93.2	94.7	15.09	2.03	18.11	111/24970	122.10	5.37
12A-5	60-5	19.050	11.91	12.57	5.94	117.0	118.8	18.00	2.42	22.78	159/35768	174.90	7.75
16A-5	80-5	25.400	15.88	15.75	7.92	149.9	153.7	24.00	3.25	29.29	283.5/63775	311.85	12.96
08A-6	40-6	12.700	7.95	7.85	3.96	88.5	89.8	12.00	1.50	14.38	84.6/19031	93.06	3.83
10A-6	50-6	15.875	10.16	9.40	5.08	111.3	112.8	15.09	2.03	18.11	133.2/29964	146.52	6.43
12A-6	60-6	19.050	11.91	12.57	5.94	139.8	141.8	18.00	2.42	22.78	190.8/42921	209.80	9.31
16A-6	80-6	25.400	15.88	15.75	7.92	179.2	183.0	24.00	3.25	29.29	340.2/76530	374.22	15.50
08A-8	40-8	12.700	7.95	7.85	3.96	117.3	118.5	12.00	1.50	14.38	112.8/25375	124.08	5.11
10A-8	50-8	15.875	10.16	9.40	5.08	147.5	149.0	15.09	2.03	18.11	177.6/39952	195.36	8.59
12A-8	60-8	19.050	11.91	12.57	5.94	185.8	187.6	18.00	2.42	22.78	254.4/57229	279.84	12.37
16A-8	80-8	25.400	15.88	15.75	7.92	237.8	241.6	24.00	3.25	29.29	453.6/102040	498.96	20.67

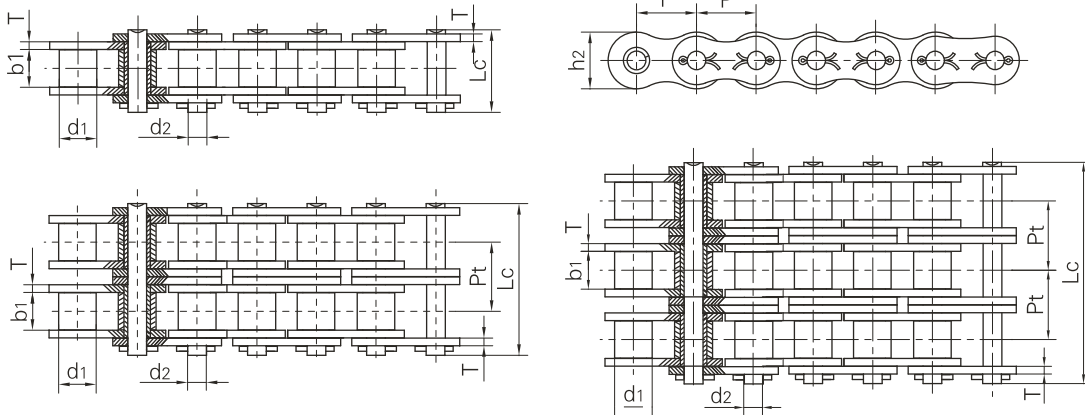


AGS-TECH VISION CHAINS

传动用滚子链 Driving chains

A系列开口销短节距精密滚子链

Cottered type short pitch precision roller chains (A series)



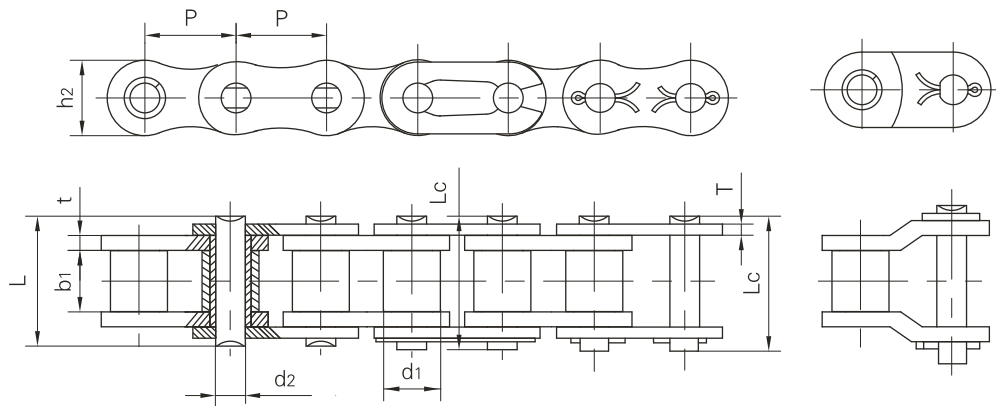
DIN/ISO 链号	ANSI 链号	节距 Pitch	滚子直径 Roller diameter	内节内宽 Width between inner plates	销轴直径 Pin diameter	销轴长度 Pin length	内链板高度 Inner plate depth	链板厚度 Plate thick- ness	排距 Transversal pitch	极限拉伸载荷 Ultimate tensile strength	平均拉伸载荷 Average tensile strength	每米长重 Weight per meter
DIN/ISO Chain No.	ANSI Chain No.	P	d1 max	b1 min	d2 max	Lc max	h2 max	T max	Pt	Q min	Q0	q
		mm	mm	mm	mm	mm	mm	mm	mm	kN/LB	kN	kg/m
10A-1	50	15.875	10.16	9.40	5.08	23.3	15.09	2.03		22.2/5045	29.4	1.02
12A-1	60	19.050	11.91	12.57	5.94	28.3	18.00	2.42		31.8/7227	41.5	1.50
16A-1	80	25.400	15.88	15.75	7.92	36.5	24.00	3.25		56.7/12886	69.4	2.60
20A-1	100	31.750	19.05	18.90	9.53	44.7	30.00	4.00		88.5/20114	109.2	3.91
24A-1	120	38.100	22.23	25.22	11.10	54.3	35.70	4.80		127.0/28864	156.3	5.62
28A-1	140	44.450	25.40	25.22	12.70	59.0	41.00	5.60		172.4/39182	212.0	7.50
32A-1	160	50.800	28.58	31.55	14.27	69.6	47.80	6.40		226.8/51545	278.9	10.10
36A-1	180	57.150	35.71	35.48	17.46	78.6	53.60	7.20		280.2/63682	341.8	13.45
40A-1	200	63.500	39.68	37.85	19.85	87.2	60.00	8.00		353.8/80409	431.6	16.15
48A-1	240	76.200	47.63	47.35	23.81	103.0	72.39	9.50		510.3/115977	622.5	23.20
10A-2	50-2	15.875	10.16	9.40	5.08	41.2	15.09	2.03	18.11	44.4/10091	58.1	2.00
12A-2	60-2	19.050	11.91	12.57	5.94	51.1	18.00	2.42	22.78	63.6/14455	82.1	2.92
16A-2	80-2	25.400	15.88	15.75	7.92	65.8	24.00	3.25	29.29	113.4/25773	141.8	5.15
20A-2	100-2	31.750	19.05	18.90	9.53	80.5	30.00	4.00	35.76	177.0/40227	219.4	7.80
24A-2	120-2	38.100	22.23	25.22	11.10	99.7	35.70	4.80	45.44	254.0/57727	314.9	11.70
28A-2	140-2	44.450	25.40	25.22	12.70	107.9	41.00	5.60	48.87	344.8/78364	427.5	15.14
32A-2	160-2	50.800	28.58	31.55	14.27	128.1	47.80	6.40	58.55	453.6/103091	562.4	20.14
36A-2	180-2	57.150	35.71	35.48	17.46	144.4	53.60	7.20	65.84	560.5/127386	695.0	29.22
40A-2	200-2	63.500	39.68	37.85	19.85	158.8	60.00	8.00	71.55	707.6/160818	877.4	32.24
48A-2	240-2	76.200	47.63	47.35	23.81	190.8	72.39	9.50	87.83	1020.6/231955	1255.3	45.23
10A-3	50-3	15.875	10.16	9.40	5.08	59.3	15.09	2.03	18.11	66.6/15136	77.8	3.09
12A-3	60-3	19.050	11.91	12.57	5.94	73.9	18.00	2.42	22.78	95.4/21682	111.1	4.54
16A-3	80-3	25.400	15.88	15.75	7.92	95.1	24.00	3.25	29.29	170.1/38659	198.4	7.89
20A-3	100-3	31.750	19.05	18.90	9.53	116.3	30.00	4.00	35.76	265.5/60341	309.6	11.77
24A-3	120-3	38.100	22.23	25.22	11.10	145.2	35.70	4.80	45.44	381.0/86591	437.2	17.53
28A-3	140-3	44.450	25.40	25.22	12.70	156.8	41.00	5.60	48.87	517.2/117545	593.3	22.20
32A-3	160-3	50.800	28.58	31.55	14.27	186.6	47.80	6.40	58.55	680.4/154636	780.6	30.02
36A-3	180-3	57.150	35.71	35.48	17.46	210.2	53.60	7.20	65.84	840.7/191068	983.6	38.22
40A-3	200-3	63.500	39.68	37.85	19.85	230.4	60.00	8.00	71.55	1061.4/241227	1217.8	49.03
48A-3	240-3	76.200	47.63	47.35	23.81	278.6	72.39	9.50	87.83	1530.9/347932	1756.5	71.60



AGS-TECH VISION CHAINS

传动用滚子链 Driving chains

B系列短节距精密滚子链 Short pitch precision roller chains (B series)



单排滚子链
Simplex roller chains

DIN/ISO 链号 DIN/ISO Chain No.	节距 Pitch	滚子直径 Roller diameter	内节内宽 Width between inner plates	销轴直径 Pin diameter	销轴长度 Pin length		内链板高度 Inner plate depth	链板厚度 Plate thick- ness	极限拉伸载荷 Ultimate tensile strength	平均拉伸载荷 Average tensile strength	每米长重 Weight per meter
	P	d1 max	b1 min	d2 max	L max	Lc max	h2 max	t/T max	Q min	Q0	q
	mm	mm	mm	mm	mm	mm	mm	mm	kN/LB	kN	kg/m
04B-1	6.000	4.00	2.80	1.85	6.80	7.8	5.00	0.60	3.0/682	3.2	0.11
05B-1	8.000	5.00	3.00	2.31	8.20	8.9	7.10	0.80	5.0/1136	5.9	0.20
*06B-1	9.525	6.35	5.72	3.28	13.15	14.1	8.20	1.30	9.0/2045	10.4	0.41
08B-1	12.700	8.51	7.75	4.45	16.70	18.2	11.80	1.60	18.0/4091	19.4	0.69
10B-1	15.875	10.16	9.65	5.08	19.50	20.9	14.70	1.70	22.4/5091	27.5	0.93
12B-1	19.050	12.07	11.68	5.72	22.50	24.2	16.00	1.85	29.0/6591	32.2	1.15
16B-1	25.400	15.88	17.02	8.28	36.10	37.4	21.00	4.15/3.1	60.0/13636	72.8	2.71
20B-1	31.750	19.05	19.56	10.19	41.30	45.0	26.40	4.5/3.5	95.0/21591	106.7	3.70
24B-1	38.100	25.40	25.40	14.63	53.40	57.8	33.20	6.0/4.8	160.0/36364	178.0	7.10
28B-1	44.450	27.94	30.99	15.90	65.10	69.5	36.70	7.5/6.0	200.0/45455	222.0	8.50
32B-1	50.800	29.21	30.99	17.81	66.00	71.0	42.00	7.0/6.0	250.0/56818	277.5	10.25
40B-1	63.500	39.37	38.10	22.89	82.20	89.2	52.96	8.5/8.0	355.0/80682	394.0	16.35
48B-1	76.200	48.26	45.72	29.24	99.10	107.0	63.80	12.0/10.0	560.0/127272	621.6	25.00
56B-1	88.900	53.98	53.34	34.32	114.6	123.0	77.80	13.5/12.0	850.0/193180	940.0	35.78
64B-1	101.600	63.50	60.96	39.40	130.0	138.5	90.17	15.0/13.0	112.0/254544	1240.0	46.00
72B-1	114.300	72.39	68.58	44.48	147.4	156.4	103.60	17.0/15.0	1400.0/318180	1550.0	60.80

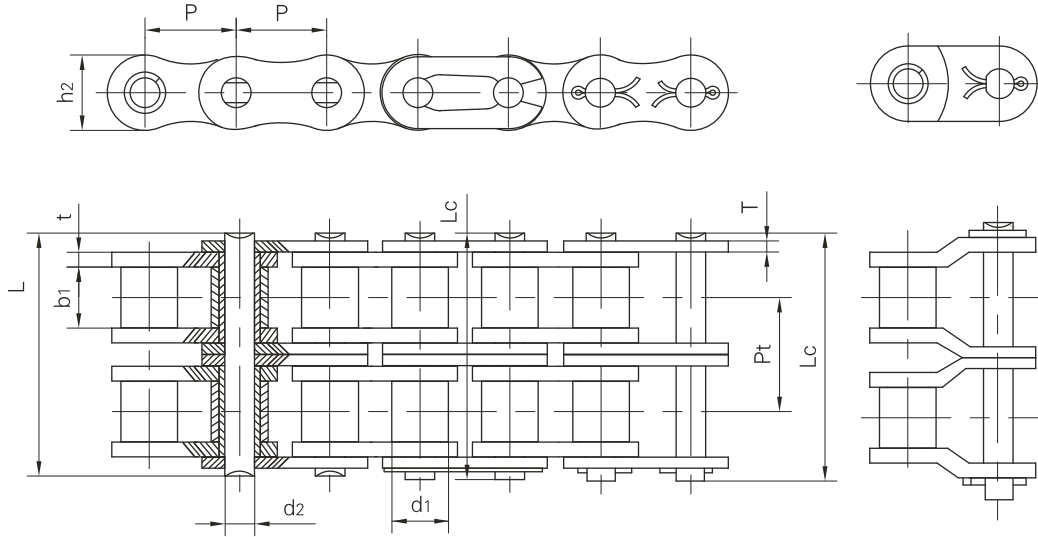
*直链板
*Straight side plate



AGS-TECH VISION CHAINS

传动用滚子链 Driving chains

B系列短节距精密滚子链 Short pitch precision roller chains (B series)



双排滚子链
Duplex roller chains

DIN/ISO 链号 DIN/ISO Chain No.	节距 Pitch	滚子直径 Roller diameter	内节内宽 Width between inner plates	销轴直径 Pin diameter	销轴长度 Pin length		内链板高度 Inner plate depth	链板厚度 Plate thick- ness	排距 Transversal pitch	极限拉伸载荷 Ultimate tensile strength	平均拉伸载荷 Average tensile strength	每米长重 Weight per meter
	P	d1 max	b1 min	d2 max	L max	Lc max	h2 max	t/T max	Pt	Q min	Q0	q
	mm	mm	mm	mm	mm	mm	mm	mm	mm	kN/LB	kN	kg/m
05B-2	8.000	5.00	3.00	2.31	13.9	14.5	7.10	0.80	5.64	7.8/1773	10.2	0.33
*06B-2	9.525	6.35	5.72	3.28	23.4	24.4	8.20	1.30	10.24	16.9/3841	18.7	0.77
08B-2	12.700	8.51	7.75	4.45	31.2	32.2	11.80	1.60	13.92	32.0/7273	38.7	1.34
10B-2	15.875	10.16	9.65	5.08	36.1	37.5	14.70	1.70	16.59	44.5/10114	56.2	1.84
12B-2	19.050	12.07	11.68	5.72	42.0	43.6	16.00	1.85	19.46	57.8/13136	66.1	2.31
16B-2	25.400	15.88	17.02	8.28	68.0	69.3	21.00	4.15/3.1	31.88	106.0/24091	133.0	5.42
20B-2	31.750	19.05	19.56	10.19	77.8	81.5	26.40	4.5/3.5	36.45	170.0/38636	211.2	7.20
24B-2	38.100	25.40	25.40	14.63	101.7	106.2	33.20	6.0/4.8	48.36	280.0/63636	319.2	13.40
28B-2	44.450	27.94	30.99	15.90	124.6	129.1	36.70	7.5/6.0	59.56	360.0/81818	406.8	16.60
32B-2	50.800	29.21	30.99	17.81	124.6	129.6	42.00	7.0/6.0	58.55	450.0/102273	508.5	21.00
40B-2	63.500	39.37	38.10	22.89	154.5	161.5	52.96	8.5/8.0	72.29	630.0/143182	711.9	32.00
48B-2	76.200	48.26	45.72	29.24	190.4	198.2	63.80	12.0/10.0	91.21	1000.0/227272	1130.0	50.00
56B-2	88.900	53.98	53.34	34.32	221.2	229.6	77.80	13.5/12.0	106.6	1600.0/363635	1760.0	71.48
64B-2	101.60	63.50	60.96	39.40	249.9	258.4	90.17	15.0/13.0	119.89	2000.0/454544	2200.0	91.00
72B-2	114.30	72.39	68.58	44.48	283.7	292.7	103.60	17.0/15.0	136.27	2500.0/568180	2750.0	120.40

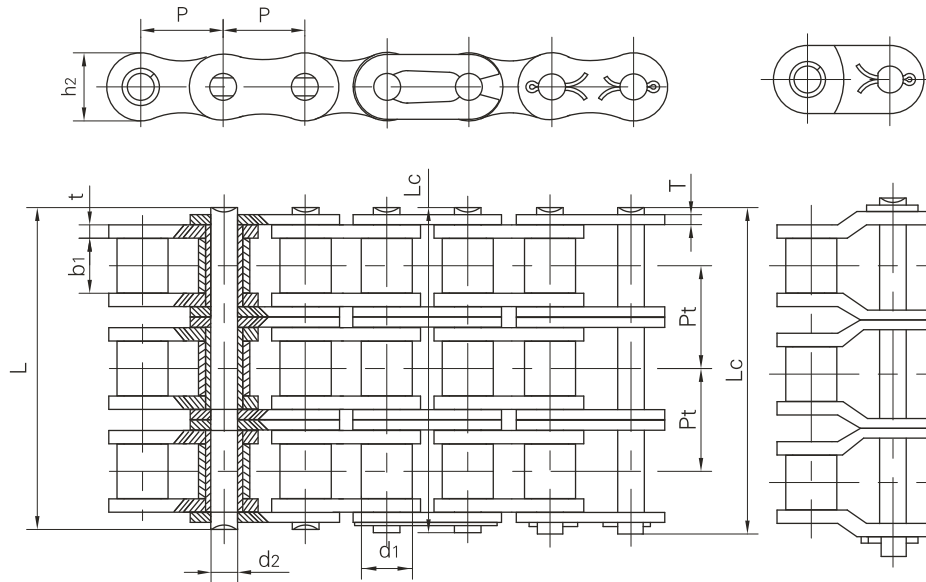
*直链板
*Straight side plate



AGS-TECH VISION CHAINS

传动用滚子链 Driving chains

B系列短节距精密滚子链 Short pitch precision roller chains (B series)



三排滚子链
Triplex roller chains

DIN/ISO 链号 DIN/ISO Chain No.	节距	滚子直径	内节内宽	销轴直径	销轴长度		内链板高度	链板厚度	排距	极限拉伸载荷	平均拉伸载荷	每米长重
	Pitch	Roller diameter	Width between inner plates	Pin diameter	L	L _c	Inner plate depth	Plate thick- ness	Transversal pitch	Ultimate tensile strength	Average tensile strength	Weight per meter
	mm	d ₁ max	b ₁ min	d ₂ max	mm	mm	h ₂ max	t/T max	P _t	Q min	Q ₀	q
	mm	mm	mm	mm	mm	mm	mm	mm	mm	kN/LB	kN	kg/m
05B-3	8.000	5.00	3.00	2.31	19.5	20.2	7.10	0.80	5.64	11.1/2523	13.8	0.48
*06B-3	9.525	6.35	5.72	3.28	33.5	34.6	8.20	1.30	10.24	24.9/5659	30.1	1.16
08B-3	12.700	8.51	7.75	4.45	45.1	46.1	11.80	1.60	13.92	47.5/10795	57.8	2.03
10B-3	15.875	10.16	9.65	5.08	52.7	54.1	14.70	1.70	16.59	66.7/15159	84.5	2.77
12B-3	19.050	12.07	11.68	5.72	61.5	63.1	16.00	1.85	19.46	86.7/19705	101.8	3.46
16B-3	25.400	15.88	17.02	8.28	99.8	101.2	21.00	4.15/3.1	31.88	160.0/36364	203.7	8.13
20B-3	31.750	19.05	19.56	10.19	114.2	117.9	26.40	4.5/3.5	36.45	250.0/56818	290.0	10.82
24B-3	38.100	25.40	25.40	14.63	150.1	154.6	33.20	6.0/4.8	48.36	425.0/96591	493.0	20.10
28B-3	44.450	27.94	30.99	15.90	184.2	188.7	36.70	7.5/6.0	59.56	530.0/120454	609.5	24.92
32B-3	50.800	29.21	30.99	17.81	183.2	188.2	42.00	7.0/6.0	58.55	670.0/152273	770.5	31.56
40B-3	63.500	39.37	38.10	22.89	226.8	233.8	52.96	8.5/8.0	72.29	950.0/215909	1092.5	48.10
48B-3	76.200	48.26	45.72	29.24	281.6	289.4	63.80	12.0/10.0	91.21	1500.0/340909	1710.0	75.00
56B-3	88.900	53.98	53.34	34.32	327.8	336.2	77.80	13.5/12.0	106.6	2240.0/545450	2240.0	107.18
64B-3	101.60	63.50	60.96	39.40	369.8	378.3	90.17	15.0/13.0	119.89	3000.0/681820	3300.0	136.00
72B-3	114.30	72.39	68.58	44.48	420.0	429.0	103.60	17.0/15.0	136.27	3750.0/852270	4125.0	180.00

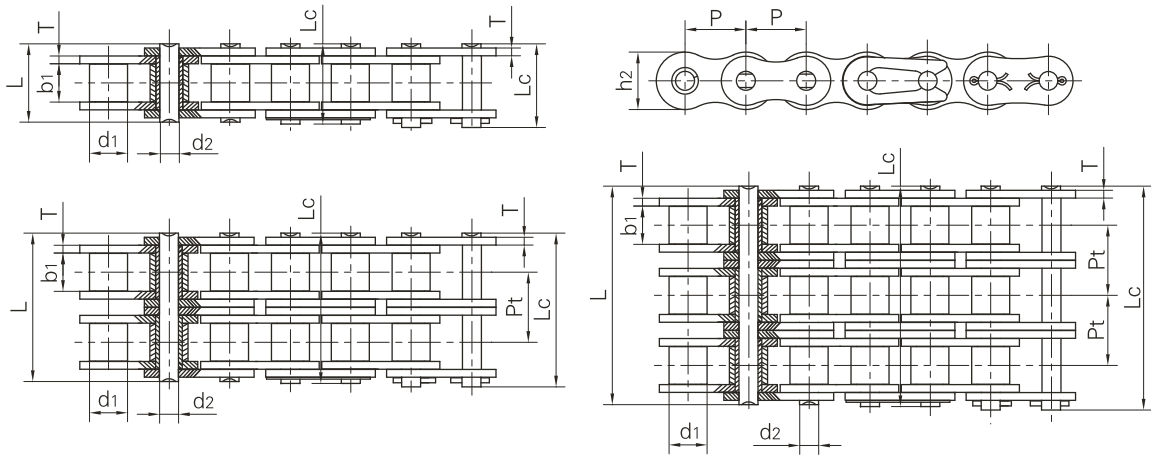
*直链板
*Straight side plate



AGS-TECH VISION CHAINS

传动用滚子链 Driving chains

加重系列滚子链 Heavy duty series roller chains



DIN/ISO 链号 DIN/ISO Chain No.	ANSI 链号 ANSI Chain No.	节距	滚子直径	内节内宽	销轴直径	销轴长度		内链板高度	链板厚度	排距	极限拉伸载荷	平均拉伸载荷	每米长重
		Pitch	Roller diameter	Width between inner plates	Pin diameter	L	L _c	Inner plate depth	Plate thick- ness	Transversal pitch	Ultimate tensile strength	Average tensile strength	Weight per meter
		P	d ₁ max	b ₁ min	d ₂ max	L max	L _c max	h ₂ max	T max	Pt	Q min	Q ₀	q
		mm	mm	mm	mm	mm	mm	mm	mm	mm	kN/LB	kN	kg/m
	*35H	9.525	5.08	4.77	3.58	13.3	14.3	9.00	1.50		7.9/1795	10.8	0.41
08AH-1	40H	12.700	7.95	7.85	3.96	18.8	19.9	12.00	2.03		14.1/3205	19.1	0.82
10AH-1	50H	15.875	10.16	9.40	5.08	22.1	23.4	15.09	2.42		22.2/5045	30.2	1.25
12AH-1	60H	19.050	11.91	12.57	5.94	29.2	31.0	18.00	3.25		31.8/7227	42.7	1.87
16AH-1	80H	25.400	15.88	15.75	7.92	36.2	37.7	24.00	4.00		56.7/12886	71.4	3.10
20AH-1	100H	31.750	19.05	18.90	9.53	43.6	46.9	30.00	4.80		88.5/20114	112.4	4.52
24AH-1	120H	38.100	22.23	25.22	11.10	53.5	57.5	35.70	5.60		127.0/28864	160.9	6.60
28AH-1	140H	44.450	25.40	25.22	12.70	57.6	62.2	41.00	6.40		172.4/39182	217.3	8.30
32AH-1	160H	50.800	28.58	31.55	14.27	68.2	73.0	47.80	7.20		226.8/51545	285.8	10.30
36AH-1	180H	57.150	35.71	35.48	17.46	75.9	81.6	53.60	8.00		281.0/63863	341.8	14.83
40AH-1	200H	63.500	39.68	37.85	19.85	86.6	93.5	60.00	9.50		353.8/80409	444.5	19.16
48AH-1	240H	76.200	47.63	47.35	23.81	109.6	115.9	72.30	12.70		510.3/115977	622.5	30.4
12AH-2	60H-2	19.050	11.91	12.57	5.94	55.3	57.1	18.00	3.25	26.11	63.6/14455	84.5	3.71
16AH-2	80H-2	25.400	15.88	15.75	7.92	68.8	70.3	24.00	4.00	32.59	113.4/25773	145.3	6.15
20AH-2	100H-2	31.750	19.05	18.90	9.53	82.7	86.0	30.00	4.80	39.09	177.0/40227	225.9	9.03
24AH-2	120H-2	38.100	22.23	25.22	11.10	102.4	106.4	35.70	5.60	48.87	254.0/57727	322.7	13.13
28AH-2	140H-2	44.450	25.40	25.22	12.70	109.8	114.4	41.00	6.40	52.20	344.8/78364	437.7	16.60
32AH-2	160H-2	50.800	28.58	31.55	14.27	130.1	134.9	47.80	7.20	61.90	453.6/103091	571.6	20.20
40AH-2	200H-2	63.500	39.68	37.85	19.85	164.9	171.8	60.00	9.50	78.31	707.6/160818	894.9	38.11
12AH-3	60H-3	19.050	11.91	12.57	5.94	81.4	83.2	18.00	3.25	26.11	95.4/21682	113.9	5.54
16AH-3	80H-3	25.400	15.88	15.75	7.92	101.4	102.9	24.00	4.00	32.59	170.1/38659	203.5	9.42
20AH-3	100H-3	31.750	19.05	18.90	9.53	121.8	125.1	30.00	4.80	39.09	265.5/60341	314.8	12.96
24AH-3	120H-3	38.100	22.23	25.22	11.10	151.2	155.2	35.70	5.60	48.87	381.0/86591	444.7	19.64
28AH-3	140H-3	44.450	25.40	25.22	12.70	162.0	166.6	41.00	6.40	52.20	517.2/117545	598.4	24.90
32AH-3	160H-3	50.800	28.58	31.55	14.27	192.0	196.8	47.80	7.20	61.90	680.4/154636	787.3	30.10
40AH-3	200H-3	63.500	39.68	37.85	19.85	243.2	250.1	60.00	9.50	78.31	1061.4/241227	1228.2	57.06

*套筒链:表中滚子直径d1为套筒直径

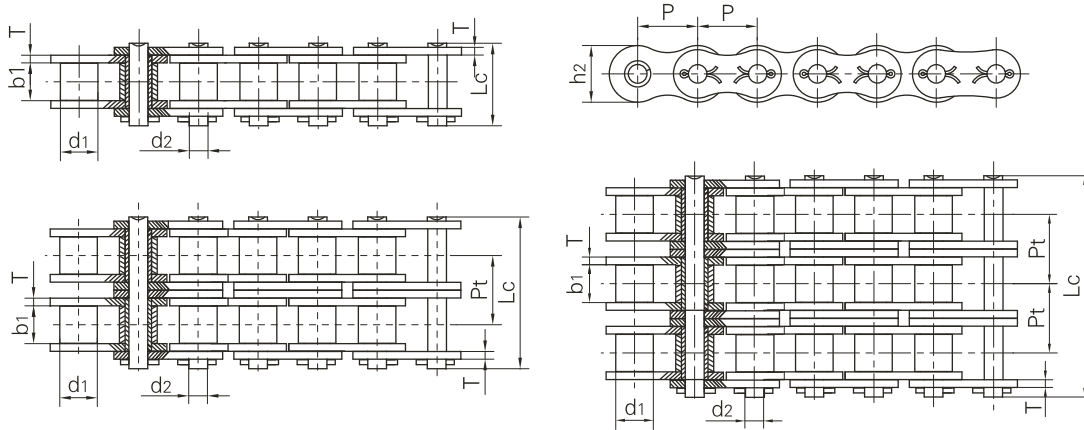
*Bushing chains: d1 in the table indicate the external diameter of the bushing.



AGS-TECH VISION CHAINS

传动用滚子链 Driving chains

加重系列开口销型滚子链 Heavy duty series cottered type roller chains



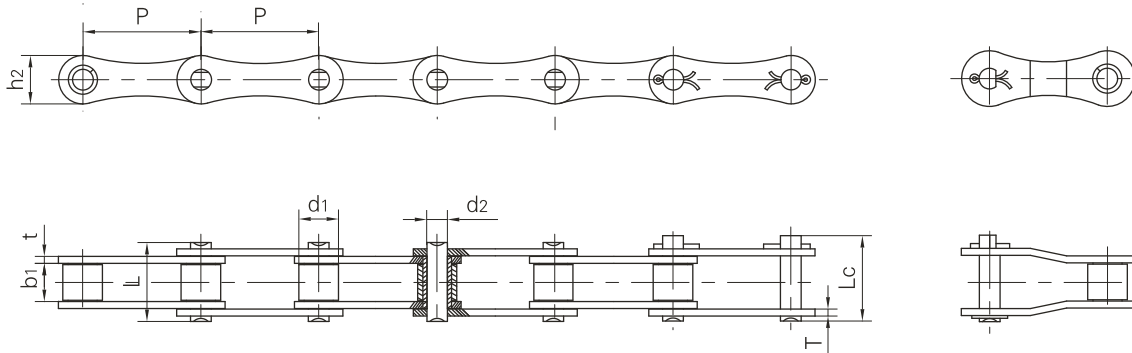
DIN/ISO 链号	ANSI 链号	节距 Pitch	滚子直径 Roller diameter	内节内宽 Width between inner plates	销轴直径 Pin diameter	销轴长度 Pin length	内链板高度 Inner plate depth	链板厚度 Plate thick- ness	排距 Transversal pitch	极限拉伸载荷 Ultimate tensile strength	平均拉伸载荷 Average tensile strength	每米长重 Weight per meter
DIN/ISO Chain No.	ANSI Chain No.	P	d1 max	b1 min	d2 max	Lc max	h2 max	T max	Pt	Q min	Q0	q
		mm	mm	mm	mm	mm	mm	mm	mm	kN/LB	kN	kg/m
10AH-1	50H	15.875	10.16	9.40	5.08	24.4	15.09	2.42		22.2/5045	30.2	1.25
12AH-1	60H	19.050	11.91	12.57	5.94	31.6	18.00	3.25		31.8/7227	42.7	1.87
16AH-1	80H	25.400	15.88	15.75	7.92	39.4	24.00	4.00		56.7/12886	71.4	3.10
20AH-1	100H	31.750	19.05	18.90	9.53	46.9	30.00	4.80		88.5/20114	112.4	4.52
24AH-1	120H	38.100	22.23	25.22	11.10	57.5	35.70	5.60		127.0/28864	160.9	6.60
28AH-1	140H	44.450	25.40	25.22	12.70	62.2	41.00	6.40		172.4/39182	217.3	8.30
32AH-1	160H	50.800	28.58	31.55	14.27	73.0	47.80	7.20		226.8/51545	285.8	10.30
40AH-1	200H	63.500	39.68	37.85	19.85	93.5	60.00	9.50		353.8/80409	444.5	19.16
12AH-2	60H-2	19.050	11.91	12.57	5.94	57.7	18.00	3.25	26.11	63.6/14454	84.5	3.71
16AH-2	80H-2	25.400	15.88	15.75	7.92	72.0	24.00	4.00	32.59	113.4/25773	145.3	6.15
20AH-2	100H-2	31.750	19.05	18.90	9.53	86.0	30.00	4.80	39.09	177.0/40227	225.9	9.03
24AH-2	120H-2	38.100	22.23	25.22	11.10	106.4	35.70	5.60	48.87	254.0/57727	322.7	13.13
28AH-2	140H-2	44.450	25.40	25.22	12.70	114.4	41.00	6.40	52.20	344.8/78364	437.7	16.60
32AH-2	160H-2	50.800	28.58	31.55	14.27	134.9	47.80	7.20	61.90	453.6/103091	571.6	20.20
40AH-2	200H-2	63.500	39.68	37.85	19.85	171.8	60.00	9.50	78.31	707.6/160818	894.9	38.11
12AH-2	60H-3	19.050	11.91	12.57	5.94	83.8	18.00	3.25	26.11	95.4/21682	113.9	5.54
16AH-2	80H-3	25.400	15.88	15.75	7.92	104.6	24.00	4.00	32.59	170.1/38659	203.5	9.42
20AH-3	100H-3	31.750	19.05	18.90	9.53	125.1	30.00	4.80	39.09	265.5/60341	314.8	12.96
24AH-3	120H-3	38.100	22.23	25.22	11.10	155.2	35.70	5.60	48.87	381.0/86591	444.7	19.64
28AH-3	140H-3	44.450	25.40	25.22	12.70	166.6	41.00	6.40	52.20	517.2/117545	598.4	24.90
32AH-3	160H-3	50.800	28.58	31.55	14.27	196.8	47.80	7.20	61.90	680.4/154636	787.3	30.10
40AH-3	200H-3	63.500	39.68	37.85	19.85	250.1	60.00	9.50	78.31	1061.4/241227	1228.2	57.06



AGS-TECH VISION CHAINS

传动用滚子链 Driving chain

双节距传动链 Double pitch transmission chains



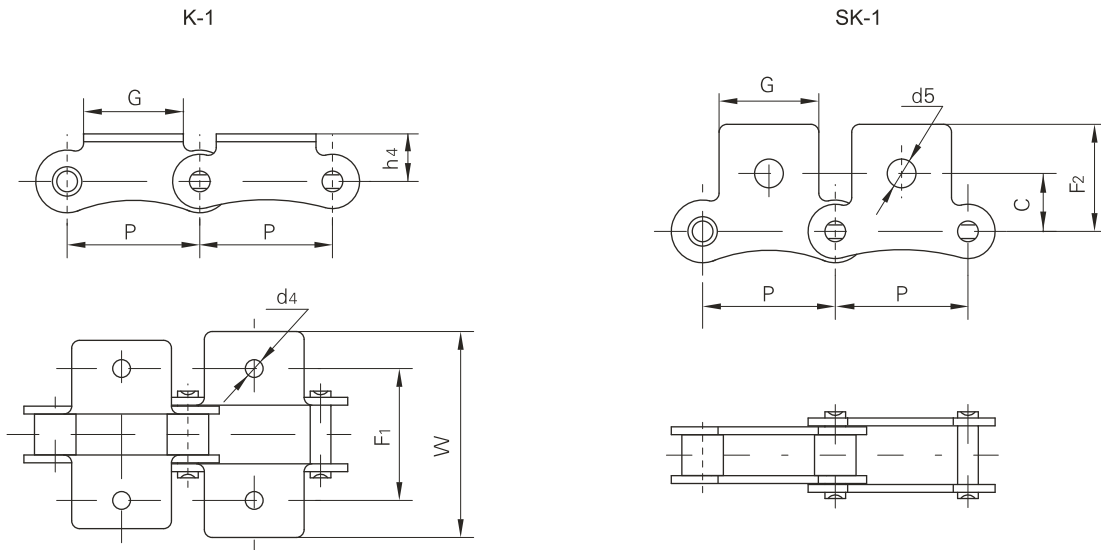
DIN/ISO 链号 DIN/ISO Chain No.	ANSI 链号 ANSI Chain No.	节距 Pitch	滚子直径 Roller diameter	内节内宽 Width between inner plates	销轴直径 Pin diameter	销轴长度 Pin length		内链板高度 Inner plate depth	链板厚度 Plate thick- ness	极限拉伸载荷 Ultimate tensile strength	平均拉伸载荷 Average tensile strength	每米长重 Weight per meter
		P	d1 max	b1 min	d2 max	L max	Lc max	h2 max	t/T max	Q min	Q0	q
		mm	mm	mm	mm	mm	mm	mm	mm	kN/LB	kN	kg/m
208A	2040	25.40	7.95	7.85	3.96	16.6	17.8	12.0	1.50	14.1/3205	16.7	0.42
208B		25.40	8.51	7.75	4.45	16.7	18.2	11.8	1.60	18.0/4091	19.4	0.45
210A	2050	31.75	10.16	9.40	5.08	20.7	22.2	15.0	2.03	22.2/5045	28.1	0.73
210B		31.75	10.16	9.65	5.08	19.5	20.9	14.7	1.70	22.4/5091	27.5	0.65
212A	2060	38.10	11.91	12.57	5.94	25.9	27.7	18.0	2.42	31.8/7227	36.8	1.02
212B		38.10	12.07	11.68	5.72	22.5	25.2	16.0	1.85	29.0/6591	32.2	0.76
216A	2080	50.80	15.88	15.75	7.92	32.7	36.5	24.0	3.25	56.7/12886	65.7	1.70
216AH	2080H	50.80	15.88	15.75	7.92	36.2	39.4	24.0	4.00	56.7/12886	70.0	2.17
216B		50.80	15.88	17.02	8.28	36.1	39.1	21.0	4.15/3.1	60.0/13636	72.8	1.75
220A	2100	63.50	19.05	18.90	9.53	40.4	44.7	30.0	4.00	88.5/20114	102.6	2.55
220B		63.50	19.05	19.56	10.19	41.3	45.0	26.4	4.5/3.5	95.0/14773	106.7	2.62
224A	2120	76.20	22.23	25.22	11.10	50.3	54.3	35.7	4.80	127.0/28864	147.3	4.06
224B		76.20	25.40	25.40	14.63	53.4	57.8	33.2	6.0/4.8	160.0/36364	178.0	4.70
228B		88.90	27.94	30.99	15.90	65.1	69.5	36.7	7.5/6.0	200.0/45455	222.0	6.23
232B		101.60	29.21	30.99	17.81	66.0	71.0	42.0	7.0/6.0	250.0/56818	277.5	6.72



AGS-TECH VISION CHAINS

传动用滚子链 Driving chain

双节距传动链附件 Double pitch transmission chain with attachments



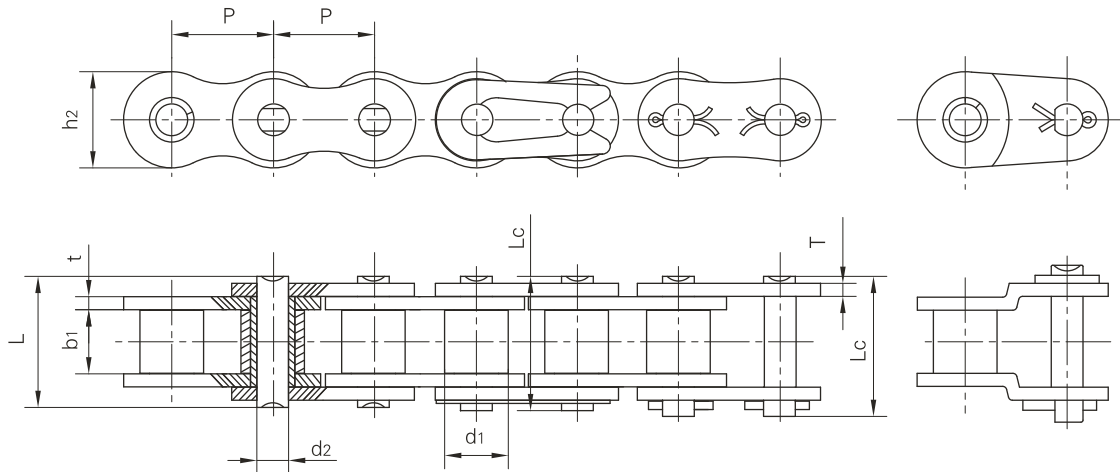
DIN/ISO 链号	ANSI 链号	P	G	F ₁	W	h ₄	d ₄	C	F ₂	d ₅
DIN/ISO Chain No.	ANSI Chain No.	mm	mm	mm	mm	mm	mm	mm	mm	mm
208A	2040	25.40	19.1	25.4	39.6	9.1	3.4	11.1	20.5	5.5
210A	2050	31.75	23.8	31.8	49.0	11.1	5.5	14.3	25.0	6.6
212A	2060	38.10	28.6	42.9	67.8	14.7	5.5	17.5	32.9	9.2
216A	2080	50.80	38.1	55.6	87.8	19.1	6.8	22.2	43.5	11.0
220A	2100	63.50	47.6	66.6	107.5	23.4	9.2	28.6	50.4	13.0
224A	2120	76.20	57.2	79.3	121.4	27.8	10.5	33.3	55.5	15.0
208B		25.40	23.2	25.4	39.6	9.1	4.5	11.1	20.5	5.5
210B		31.75	23.8	31.8	49.0	11.1	5.5			
212B		38.10	35.0	38.1	57.0	14.7	6.6			
216B		50.80	44.0	50.8	84.0	19.1	6.6			
220B		63.50	52.0	63.5	104.0	23.4	8.4			
224B		76.20	60.0	76.2	120.0	27.8	10.5			



SH 系列高强度短节距滚子链 SH series high strength short pitch roller chains

SH系列滚子链通过销轴整体淬硬其极限拉伸载荷比A系列标准滚子链增加约25%–35%并能提供较高的抗震动负载，参数尺寸与加重系列滚子链相同。

SH series roller chains have a greater ultimate tensile strength (about 25%-35% more) over ANSI standard roller chains by using through hardened pins, these chains also provide a greater shock load resistance, The dimensions of the chain are identical to ANSI heavy series standard roller chains.



Vision Chain No.	节距	滚子直径	内节内宽	销轴直径	销轴长度		内链板高度	链板厚度	极限拉伸载荷	平均拉伸载荷	每米长重
	Pitch	Roller diameter	Width between inner plates	Pin diameter	L	Lc	Inner plate depth	Plate thickness	Ultimate tensile strength	Average tensile strength	Weight per meter
	P	d1 max	b1 min	d2 max	L max	Lc max	h2 max	t/T max	Q min	Q0	q
	mm	mm	mm	mm	mm	mm	mm	mm	kN/LB	kN	kg/m
*25SH	6.350	3.30	3.18	2.31	9.0		6.00	1.04	5.09/1157	5.6	0.11
*35SH	9.525	5.08	4.77	3.58	13.3	14.3	9.00	1.50	11.0/2500	13.6	0.41
40SH	12.700	7.95	7.85	3.96	18.8	19.9	12.00	2.03	22.4/5091	24.8	0.82
50SH	15.875	10.16	9.40	5.08	22.1	23.4	15.09	2.42	30.4/6909	36.2	1.25
60SH	19.050	11.91	12.57	5.94	29.2	31.6	18.00	3.25	44.1/10023	50.4	1.87
80SH	25.400	15.88	15.75	7.92	36.2	37.7	24.00	4.00	88.2/20045	93.0	3.10
100SH	31.750	19.05	18.90	9.53	43.6	46.9	30.00	4.80	116.6/26500	129.1	4.52
120SH	38.100	22.23	25.22	11.10	53.5	57.5	35.70	5.60	158.2/35954	175.3	6.60
140SH	44.450	25.40	25.22	12.70	57.6	62.2	41.00	6.40	206.0/46818	266.5	8.30
160SH	50.800	28.58	31.55	14.27	68.2	73.0	47.80	7.20	274.0/62273	293.0	10.30
200SH	63.500	39.68	37.85	19.85	86.6	93.5	60.00	9.50	506.1/115023	562.3	19.16
#5H63	19.050	14.29	9.55	7.30	27.9		19.6	4.15/3.25	65.7/14932	73.0	2.62

*套筒链:表中滚子直径d1为套筒直径

*Bushing chains: d1 in the table indicate the external diameter of the bushing.

#直链板

#Straight side plate

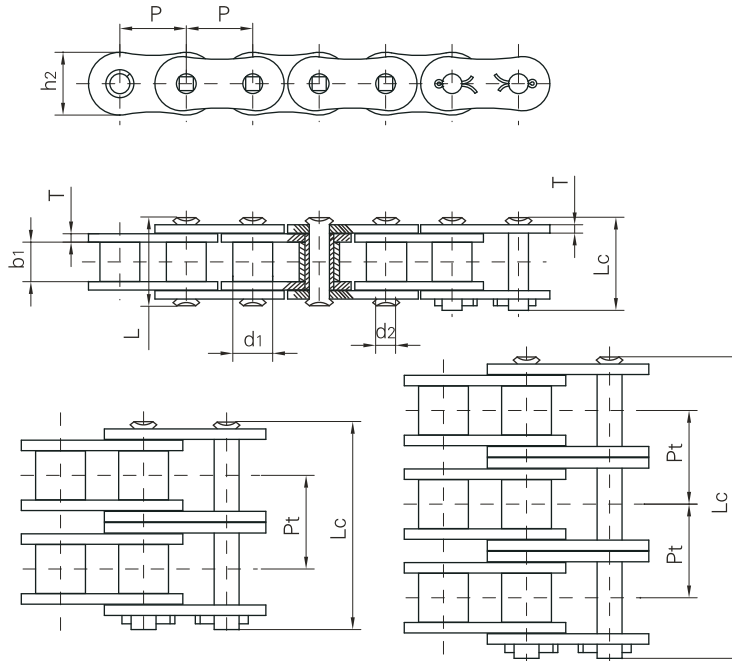


AGS-TECH VISION CHAINS

传动用滚子链 Driving chain

SP 系列高强度短节距滚子链

SP series high strength short pitch roller chains



Vision Chain No.	节距 Pitch	滚子直径 Roller diameter	内节内宽 Width between inner plates	销轴直径 Pin diameter	销轴长度 Pin length		内链板高度 Inner plate depth	链板厚度 Plate thickness	排距 Transversal pitch	极限拉伸载荷 Ultimate tensile strength	平均拉伸载荷 Average tensile strength	每米长重 Weight per meter
	P	d1 max	b1 min	d2 max	L max	Lc max	h2 max	T	Pt max	Q min	Q0	q
	mm	mm	mm	mm	mm	mm	mm	mm	mm	kN/LB	kN	kg/m
80SP-1	25.40	15.88	15.75	7.94	32.7	36.5	24.1	3.2		77.5/17434	85.3	2.86
100SP-1	31.75	19.05	18.95	9.54	40.4	44.7	30.1	4.0		115.5/25982	127.0	4.21
120SP-1	38.10	22.23	25.22	11.11	50.3	54.3	36.2	4.8		165.0/37118	186.0	6.36
140SP-1	44.45	25.40	25.22	12.71	54.4	59.0	42.2	5.6		222.7/50098	245.0	8.04
160SP-1	50.80	28.58	31.55	14.29	64.8	69.6	48.2	6.4		285.5/64215	314.0	10.80
200SP-1	63.50	39.68	37.85	19.85	80.3	87.2	60.3	8.0		445.5/100208	490.0	18.00
80SP-2	25.40	15.88	15.75	7.94	62.7	65.8	24.1	3.2	29.29	155.0/34868	170.6	5.68
100SP-2	31.75	19.05	18.95	9.54	76.4	80.5	30.1	4.0	35.76	231.0/51965	255.0	8.34
120SP-2	38.10	22.23	25.22	11.11	95.8	99.7	36.2	4.8	45.44	339.0/76260	373.0	12.63
140SP-2	44.45	25.40	25.22	12.71	103.3	107.9	42.2	5.6	48.87	445.5/100218	490.0	15.92
160SP-2	50.80	28.58	31.55	14.29	123.3	128.1	48.2	6.4	58.55	571.0/128430	628.0	21.43
200SP-2	63.50	39.68	37.85	19.85	151.9	158.8	60.3	8.0	71.55	892.0/200621	981.0	35.00
80SP-3	25.40	15.88	15.75	7.94	91.7	95.1	24.1	3.2	29.29	232.5/52302	255.9	8.18
100SP-3	31.75	19.05	18.95	9.54	112.2	116.3	30.1	4.0	35.76	347.3/78128	382.0	12.47
120SP-3	38.10	22.23	25.22	11.11	141.4	145.2	36.2	4.8	45.44	508.0/114278	559.0	18.90
140SP-3	44.45	25.40	25.22	12.71	152.2	156.8	42.2	5.6	48.87	668.0/150271	735.0	23.84
160SP-3	50.80	28.58	31.55	14.29	181.8	186.6	48.2	6.4	58.55	855.5/192441	941.0	32.10

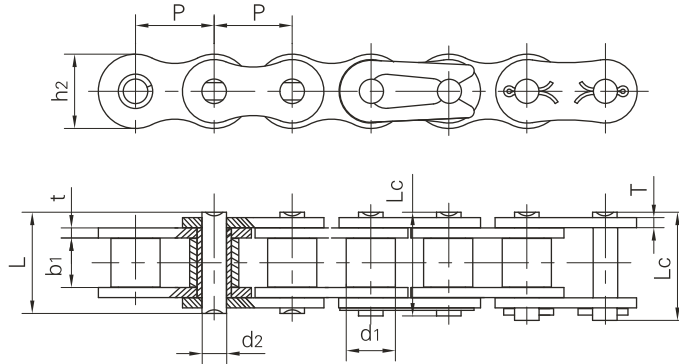


AGS-TECH VISION CHAINS

传动用滚子链 Driving chain

达克罗链 Dacroment-plated chains

达克罗链条适合于有腐蚀性的场合
Dacroment-plated chains are suitable in corrosive conditions



Vision Chain No.	节距 Pitch	滚子直径 Roller diameter	内节内宽 Width between inner plates	销轴直径 Pin diameter	销轴长度 Pin length		内链板高度 Inner plate depth	链板厚度 Plate thickness	破断载荷 Breaking load	每米长重 Weight per meter
	P	d1 max	b1 min	d2 max	L max	Lc max	h2 max	t/T max	Q	q
	mm	mm	mm	mm	mm	mm	mm	mm	kN/LB	kg/m
*25DA	6.350	3.30	3.18	2.31	7.90	8.40	6.00	0.80	3.50/795	0.15
*35DA	9.525	5.08	4.77	3.58	12.40	13.17	9.00	1.30	7.90/1795	0.33
41DA	12.700	7.77	6.25	3.58	13.75	15.00	9.91	1.30	6.67/1516	0.41
40DA	12.700	7.95	7.85	3.96	16.60	17.80	12.00	1.50	14.10/3205	0.62
50DA	15.875	10.16	9.40	5.08	20.70	22.20	15.09	2.03	22.20/5045	1.02
60DA	19.050	11.91	12.57	5.94	25.90	27.70	18.00	2.42	31.80/7227	1.50
80DA	25.400	15.88	15.75	7.92	32.70	35.00	24.00	3.25	56.70/12886	2.60
100DA	31.750	19.05	18.90	9.53	40.40	44.70	30.00	4.00	88.50/20114	3.91
120DA	38.100	22.23	25.22	11.10	50.30	54.30	35.70	4.80	127.00/28864	5.62
140DA	44.450	25.40	25.22	12.70	54.40	59.00	41.00	5.60	172.40/39182	7.50
160DA	50.800	28.58	31.55	14.27	64.80	69.60	47.80	6.40	226.80/51545	10.10
04BDA	6.000	4.00	2.80	1.85	6.80	7.80	5.00	0.60	3.00/682	0.11
05BDA	8.000	5.00	3.00	2.31	8.20	8.90	7.10	0.80	5.00/1136	0.20
#06BDA	9.525	6.35	5.72	3.28	13.15	14.10	8.20	1.30	9.00/2045	0.41
08BDA	12.700	8.51	7.75	4.45	16.70	18.20	11.80	1.60	18.00/4091	0.69
10BDA	15.875	10.16	9.65	5.08	19.50	20.90	14.70	1.70	22.40/5091	0.93
12BDA	19.050	12.07	11.68	5.72	22.50	24.20	16.00	1.85	29.00/6591	1.15
16BDA	25.400	15.88	17.02	8.28	36.10	37.40	21.00	4.15/3.1	60.00/13636	2.71
20BDA	31.750	19.05	19.56	10.19	41.30	45.00	26.40	4.5/3.5	95.00/21591	3.70
24BDA	38.100	25.40	25.40	14.63	53.40	57.80	33.20	6.0/4.8	160.00/36364	7.10
28BDA	44.450	27.94	30.99	15.90	65.10	69.50	36.70	7.5/6.0	200.00/45455	8.50
32BDA	50.800	29.21	30.99	17.81	66.00	71.00	42.00	7.0/6.0	250.00/56818	10.25

*套筒链:表中滚子直径d1为套筒直径

*Bushing chains: d1 in the table indicate the external diameter of the bushing.

#直链板

#Straight side plate

注意:上述规格的双排链、双节距输送链系列依照要求也适合镀达克罗。

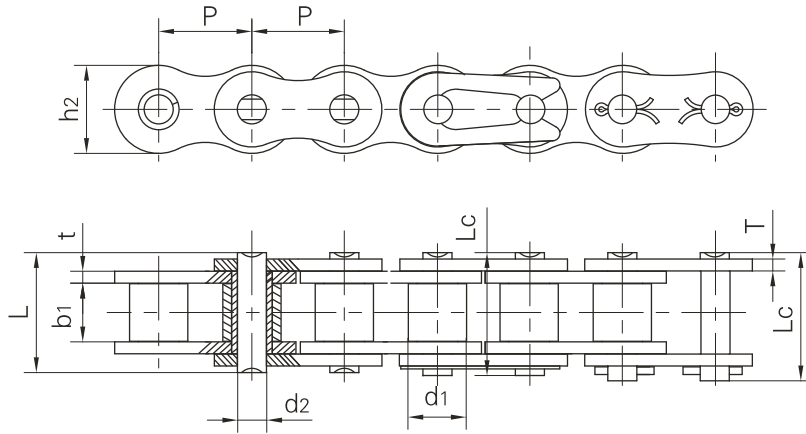
NOTE: Duplex & Triplex dacroment chains are available in all sizes.



AGS-TECH VISION CHAINS

传动用滚子链 Driving chain

镀锌链 Zinc-plated chains



Vision Chain No.	节距	滚子直径	内节内宽	销轴直径	销轴长度		内链板高度	链板厚度	破断载荷	每米长重
	Pitch	Roller diameter	Width between inner plates	Pin diameter	L	L _c	Inner plate depth	Plate thickness	Breaking load	Weight per meter
	P	d ₁ max	b ₁ min	d ₂ max	L max	L _c max	h ₂ max	t/T max	Q	q
	mm	mm	mm	mm	mm	mm	mm	mm	kN/LB	kg/m
*25ZP	6.350	3.30	3.18	2.31	7.90	8.40	6.00	0.80	3.50/795	0.15
*35ZP	9.525	5.08	4.77	3.58	12.40	13.17	9.00	1.30	7.90/1795	0.33
41ZP	12.700	7.77	6.25	3.58	13.75	15.00	9.91	1.30	6.67/1516	0.41
40ZP	12.700	7.95	7.85	3.96	16.60	17.80	12.00	1.50	14.10/3205	0.62
50ZP	15.875	10.16	9.40	5.08	20.70	22.20	15.09	2.03	22.20/5045	1.02
60ZP	19.050	11.91	12.57	5.94	25.90	27.70	18.00	2.42	31.80/7227	1.50
80ZP	25.400	15.88	15.75	7.92	32.70	35.00	24.00	3.25	56.70/12886	2.60
100ZP	31.750	19.05	18.90	9.53	40.40	44.70	30.00	4.00	88.50/20114	3.91
120ZP	38.100	22.23	25.22	11.10	50.30	54.30	35.70	4.80	127.00/28864	5.62
140ZP	44.450	25.40	25.22	12.70	54.40	59.00	41.00	5.60	172.40/39182	7.50
160ZP	50.800	28.58	31.55	14.27	64.80	69.60	47.80	6.40	226.80/51545	10.10
04BZP	6.000	4.00	2.80	1.85	6.80	7.80	5.00	0.60	3.00/682	0.11
05BZP	8.000	5.00	3.00	2.31	8.20	8.90	7.10	0.80	5.00/1136	0.20
#06BZP	9.525	6.35	5.72	3.28	13.15	14.10	8.20	1.30	9.00/2045	0.41
08BZP	12.700	8.51	7.75	4.45	16.70	18.20	11.80	1.60	18.00/4091	0.69
10BZP	15.875	10.16	9.65	5.08	19.50	20.90	14.70	1.70	22.40/5091	0.93
12BZP	19.050	12.07	11.68	5.72	22.50	24.20	16.00	1.85	29.00/6591	1.15
16BZP	25.400	15.88	17.02	8.28	36.10	37.40	21.00	4.15/3.1	60.00/13636	2.71
20BZP	31.750	19.05	19.56	10.19	41.30	45.00	26.40	4.5/3.5	95.00/21591	3.70
24BZP	38.100	25.40	25.40	14.63	53.40	57.80	33.20	6.0/4.8	160.0/36364	7.10
28BZP	44.450	27.94	30.99	15.90	65.10	69.50	36.70	7.5/6.0	200.0/45455	8.50
32BZP	50.800	29.21	30.99	17.81	66.00	71.00	42.00	7.0/6.0	250.0/56818	10.25

*套筒链:表中滚子直径d1为套筒直径

*Bushing chains: d1 in the table indicate the external diameter of the bushing.

#直链板

#Straight side plate

注意:上述规格的双排链、双节距输送链系列依照要求也适合镀锌。

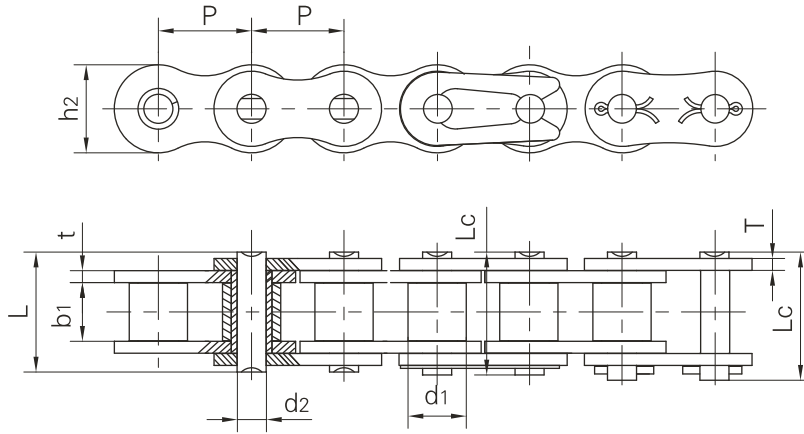
NOTE: Duplex & Triplex dactroment chains are available in all sizes.



AGS-TECH VISION CHAINS

传动用滚子链 Driving chain

镀镍链 Nickel-plated chains



Vision Chain No.	节距	滚子直径	内节内宽	销轴直径	销轴长度		内链板高度	链板厚度	破断载荷	每米长重
	Pitch	Roller diameter	Width between inner plates	Pin diameter	Pin length		Inner plate depth	Plate thickness	Breaking load	Weight per meter
	P	d1 max	b1 min	d2 max	L max	Lc max	h2 max	t/T max	Q	q
	mm	mm	mm	mm	mm	mm	mm	mm	kN/LB	kg/m
*25NP	6.350	3.30	3.18	2.31	7.90	8.40	6.00	0.80	3.50/795	0.15
*35NP	9.525	5.08	4.77	3.58	12.40	13.17	9.00	1.30	7.90/1795	0.33
41NP	12.700	7.77	6.25	3.58	13.75	15.00	9.91	1.30	6.67/1516	0.41
40NP	12.700	7.95	7.85	3.96	16.60	17.80	12.00	1.50	14.10/3205	0.62
50NP	15.875	10.16	9.40	5.08	20.70	22.20	15.09	2.03	22.20/5045	1.02
60NP	19.050	11.91	12.57	5.94	25.90	27.70	18.00	2.42	31.80/7227	1.50
80NP	25.400	15.88	15.75	7.92	32.70	35.00	24.00	3.25	56.70/12886	2.60
100NP	31.750	19.05	18.90	9.53	40.40	44.70	30.00	4.00	88.50/20114	3.91
120NP	38.100	22.23	25.22	11.10	50.30	54.30	35.70	4.80	127.00/28864	5.62
140NP	44.450	25.40	25.22	12.70	54.40	59.00	41.00	5.60	172.40/39182	7.50
160NP	50.800	28.58	31.55	14.27	64.80	69.60	47.80	6.40	226.80/51545	10.10
04BNP	6.000	4.00	2.80	1.85	6.80	7.80	5.00	0.60	3.00/682	0.11
05BNP	8.000	5.00	3.00	2.31	8.20	8.90	7.10	0.80	5.00/1136	0.20
#06BNP	9.525	6.35	5.72	3.28	13.15	14.10	8.20	1.30	9.00/2045	0.41
08BNP	12.700	8.51	7.75	4.45	16.70	18.20	11.80	1.60	18.00/4091	0.69
10BNP	15.875	10.16	9.65	5.08	19.50	20.90	14.70	1.70	22.40/5091	0.93
12BNP	19.050	12.07	11.68	5.72	22.50	24.20	16.00	1.85	29.00/6591	1.15
16BNP	25.400	15.88	17.02	8.28	36.10	37.40	21.00	4.15/3.1	60.00/13636	2.71
20BNP	31.750	19.05	19.56	10.19	41.30	45.00	26.40	4.5/3.5	95.00/21591	3.70
24BNP	38.100	25.40	25.40	14.63	53.40	57.80	33.20	6.0/4.8	160.0/36364	7.10
28BNP	44.450	27.94	30.99	15.90	65.10	69.50	36.70	7.5/6.0	200.00/45455	8.50
32BNP	50.800	29.21	30.99	17.81	66.00	71.00	42.00	7.0/6.0	250.00/56818	10.25

*套筒链:表中滚子直径d1为套筒直径

*Bushing chains: d1 in the table indicate the external diameter of the bushing.

#直链板

#Straight side plate

注意:上述规格的双排链、双节距输送链系列依照要求也适合镀镍

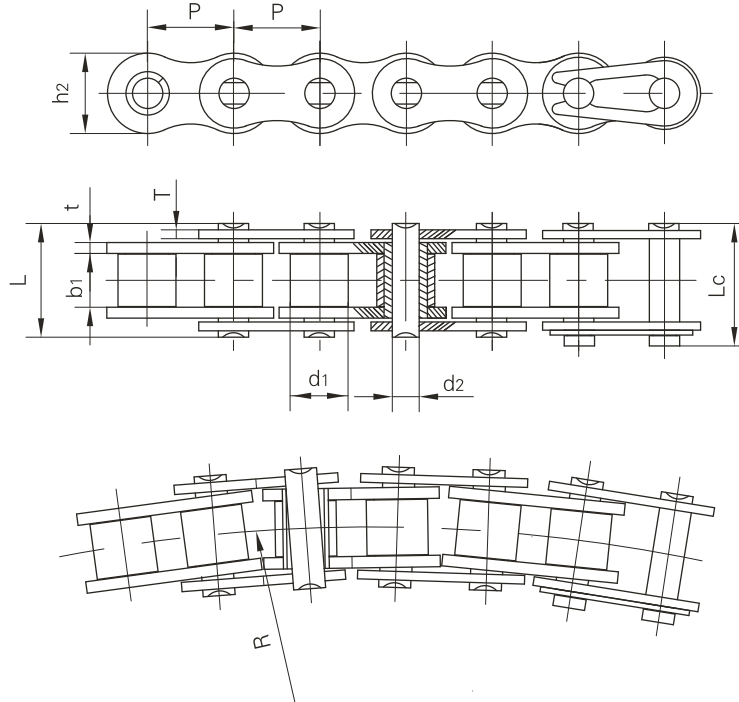
NOTE: Duplex & Triplex dacement chains are available in all sizes.



AGS-TECH VISION CHAINS

传动用滚子链 Driving chain

侧弯链 Side bow chains



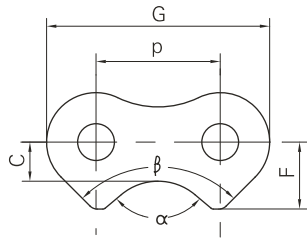
Vision Chain No.	节距	滚子直径	内节内宽	销轴直径	销轴长度		内链板高度	链板厚度	侧弯半径	极限拉伸载荷	平均拉伸载荷	每米长重
	Pitch	Roller diameter	Width between inner plates	Pin diameter	Pin length		Inner plate depth	Plate thickness	Side bow radius	Ultimate tensile strength	Average tensile strength	Weight per meter
	P	d1 max	b1 min	d2 max	L max	Lc max	h2 max	t/T max	R min	Q min	Q0	q
	mm	mm	mm	mm	mm	mm	mm	mm	mm	kN/LB	kN	kg/m
40SB	12.70	7.95	7.85	3.96	16.9	18.1	11.7	1.5	350	13.8/3136	15.2	0.80
43SB	12.70	7.95	7.85	3.45	18.3	19.5	11.7	1.5	305	12.0/2727	13.2	0.64
50SB	15.875	10.16	9.40	4.37	20.7	22.7	14.9	2.03	400	20.6/4681	22.7	1.09
60SB	19.05	11.91	12.57	5.34	26.6	28.4	18.0	2.42	500	15.7/3568	17.3	1.54
63SB	19.05	11.91	12.68	5.08	28.8	30.6	17.2	2.42/2.03	350	12.5/2840	20.0	1.40
80SB	25.40	15.88	15.75	7.19	34.0	37.3	24.0	3.25	711	40.9/9201	42.0	2.60
08BSB	12.70	8.51	7.75	3.97	17.4	18.7	11.8	1.6	400	14.0/3182	15.4	0.70
08BSBF1	12.70	8.51	7.75	3.97	16.3	17.6	11.8	1.6/1.2	400	12.8/2909	14.1	0.65
10BSB	15.875	10.16	9.65	4.50	20.1	21.5	14.7	1.7	400	15.6/3545	17.2	0.93
12BSB	19.05	12.07	11.68	5.12	23.1	24.8	16.0	1.85	500	20.5/4658	22.6	1.16
16BSB	25.40	15.88	17.22	7.90	36.5	39.7	21.0	3.7/3.0	500	55.6/12635	64.0	2.53
C2050SB	31.75	10.16	9.40	5.08	21.3	22.6	15.0	2.03	800	21.8/4954	24.1	0.84



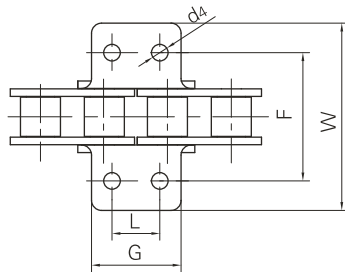
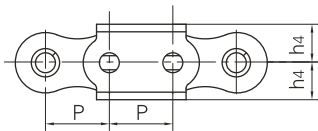
AGS-TECH VISION CHAINS

传动用滚子链 Driving chain

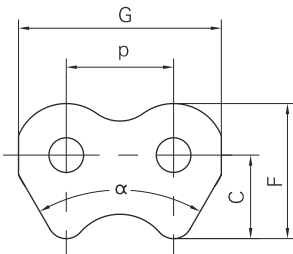
侧弯链附件 Side bow chain with attachments



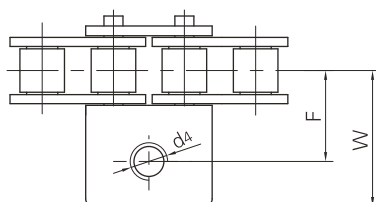
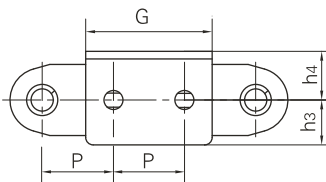
Vision Chain No.	P	G	C	F	α
	mm	mm	mm	mm	mm
08BSBF5	12.7	24.0	9.9	16.0	60°



Vision Chain No.	P	G	L	F	W	h4	d4
	mm	mm	mm	mm	mm	mm	mm
40SBF1	12.7	17.8	9.5	30.2	45.5	7.5	3.3



Vision Chain No.	P	G	C	F	α	β
	mm	mm	mm	mm		
50SBF2	15.875	28.0	5.0	8.56	100°	90°



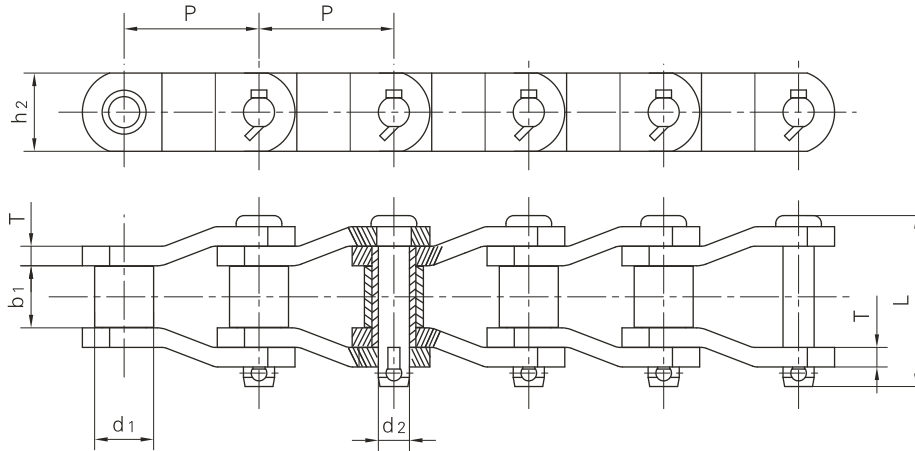
Vision Chain No.	P	G	F	W	h3	h4	d4
	mm	mm	mm	mm	mm	mm	mm
63SBF2	19.05	33.9	24.4	36.4	12.0	13.0	M8



AGS-TECH VISION CHAINS

传动用滚子链 Driving chain

重载弯板传动链 Heavy duty cranked-link transmission chains

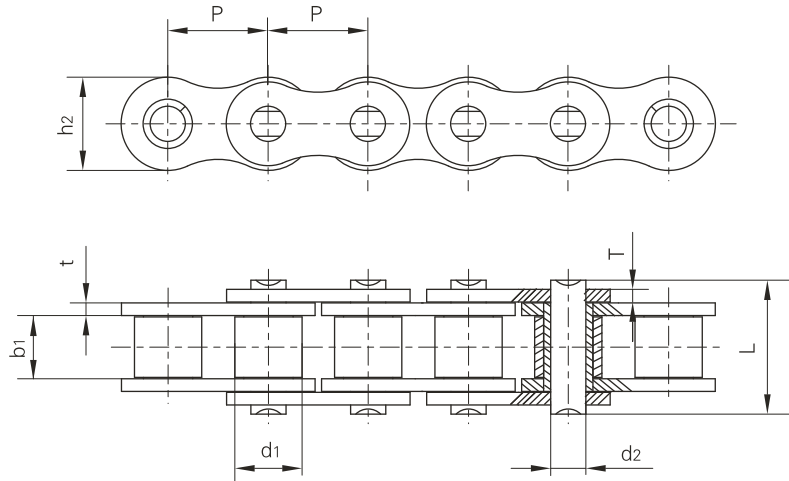


Vision Chain No.	节距	滚子直径	内节内宽	销轴直径	销轴长度	链板高度	链板厚度	极限拉伸载荷	平均拉伸载荷	每米长重
	Pitch	Roller diameter	Width between inner plates	Pin diameter	Pin length	Plate depth	Plate thickness	Ultimate tensile strength	Average tensile strength	Weight per meter
	P	d1 max	b1 min	d2 max	L max	h2	T	Q min	Q0	q
	mm	mm	mm	mm	mm	mm	mm	kN/LB	kN	kg/m
2010	63.50	31.75	38.10	15.90	89.0	47.8	7.9	250.0/56818	270.0	13.53
2510	78.10	31.75	36.90	16.00	94.8	40.0	8.0	271.0/61590	292.6	10.72
2510H	78.10	31.75	36.9	16.5	95.3	45.0	9.5	280.4/63727	302.8	12.70
2512F2	77.90	41.28	38.50	19.05	103.4	60.0	10.0	400.0/90909	420.0	20.28
2814	88.90	44.45	36.60	22.23	117.6	58.0	12.7	471.0/105955	507.6	25.70
3214	103.20	44.45	48.00	22.00	123.5	55.0	13.0	476.0/108180	514.0	23.60
3214F1	103.200	44.45	49.20	23.90	129.0	60.0	14.0	666.4/151450	700.0	26.70
3315	103.45	45.24	49.30	23.85	130.0	63.5	14.2	550.0/125000	594.0	27.71
3618	114.30	57.15	52.30	27.97	138.0	79.2	14.2	760.0/172727	820.8	41.20
4020	127.00	63.50	69.90	31.78	165.7	88.9	15.7	987.0/224300	1069.2	48.60
2184	152.40	76.20	35.00	22.20	96.0	51.0	9.5	330.0/75000	378.0	18.17
MXS882	66.27	22.23	28.58	11.10	68.5	28.5	6.4	115.6/26272	124.8	5.30
MXS3075	78.10	31.75	38.10	16.46	93.5	44.5	9.7	334.0/75909	360.7	13.45
MXS1242	103.20	44.45	49.20	22.23	124.5	57.0	12.8	623.0/141591	672.8	24.63
SS588	66.27	22.23	28.60	11.11	63.7	28.6	6.4	130.0/29545	144.0	5.46
SS588F1	66.27	22.23	27.00	11.11	62.0	28.6	6.4	88.9/20205	97.8	5.39
SS588F2	66.27	22.23	27.00	9.53	59.0	25.4	5.6	84.46/19195	91.2	4.26
SS568H	77.90	41.30	39.70	19.05	97.6	57.0	9.5	340.0/77272	367.2	19.80
SS40H(P)	78.11	31.75	38.10	15.88	97.0	41.5	9.5	250.0/56818	280.0	12.60
SS124	103.20	44.45	49.20	22.23	127.2	57.0	12.7	560.0/127272	590.0	22.57
SS15F1	103.45	45.24	47.6	23.85	133.0	60.0	15.0	650/147726	616.0	27.34
SS1245	103.45	45.20	49.6	23.80	129.4	60.0	14.5	550/125000	605.0	31.19



发动机链(正时链) Engine mechanism chains (Timing chains)

内发动机链条包括启动链,基础驱动链、汽车时规链、油泵链。
Our engine mechanism chains are composed of starter chains primary drive chains, automotive timing chains and oil pump chains etc.



Vision Chain No.	节距	滚子直径	内节内宽	销轴直径	销轴长度	内链板高度	链板厚度	极限拉伸载荷	平均拉伸载荷	每米长重
	Pitch	Roller diameter	Width between inner plates	Pin diameter	Pin length	Inner plate depth	Plate thickness	Ultimate tensile strength	Average tensile strength	Weight per meter
	P	d1 max	b1 min	d2 max	L max	h2 max	t/T max	Q min	Q ₀	q
	mm	mm	mm	mm	mm	mm	mm	kN/LB	kN	kg/m
*C219H	7.774	5.00	5.00	3.01	11.90	7.40	1.2/1.04	6.6/1500	7.4	0.23
*35	9.525	5.08	4.77	3.58	12.40	9.00	1.30	7.9/1795	10.8	0.33
•BF05T	8.000	4.71	4.61	3.05	11.48	7.60	1.3/1.04	7.0/1591	9.8	0.35
•P8.13	8.130	5.65	4.60	3.05	12.00	7.65	1.3/1.2	8.5/1912	9.8	0.39
•05BT	8.000	5.65	4.60	3.05	12.00	7.65	1.3/1.2	8.5/1912	9.8	0.40
•05E	8.000	5.65	4.61	3.05	12.30	7.65	1.3/1.04	8.5/1912	9.8	0.39
•06AT	9.525	6.35	3.94	3.28	10.50	8.20	1.3/1.04	8.9/2023	10.0	0.34
•06BT-1	9.525	6.35	5.72	3.28	12.50	8.20	1.3/1.04	9.0/2045	10.0	0.38
•06BT-2	9.525	6.35	5.72	3.28	22.90	8.20	1.3/1.04	16.9/3841	17.9	0.73
•06BF14	9.525	6.35	5.05	3.28	13.15	8.20	1.5/1.3	11.2/2520	12.5	0.39

*套筒链:表中滚子直径d1为套筒直径

*Bushing chains: d1 in the table indicate the external diameter of the bushing.

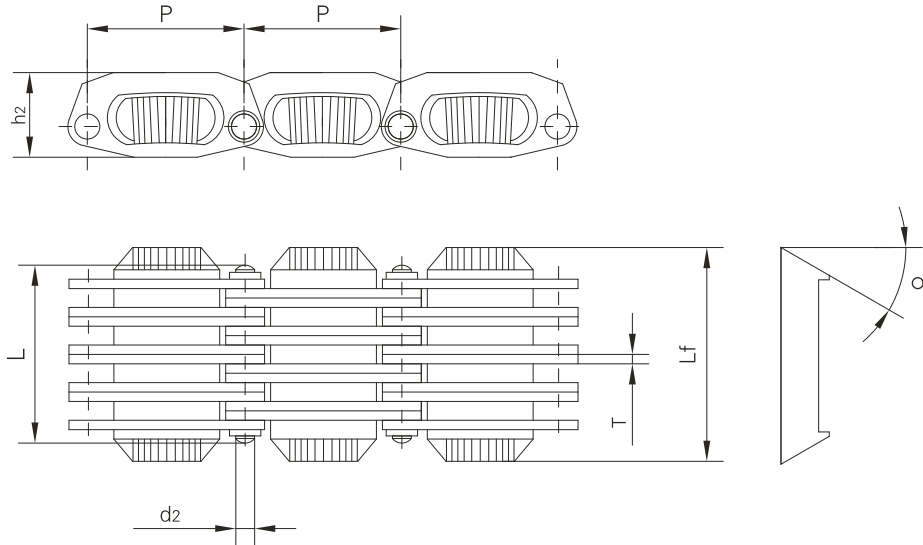
- 直板链
- Straight side plate



AGS-TECH VISION CHAINS

传动用滚子链 Driving chain

PIV无级变速链
Self-tooth-forming chains (P. I. V. chains)



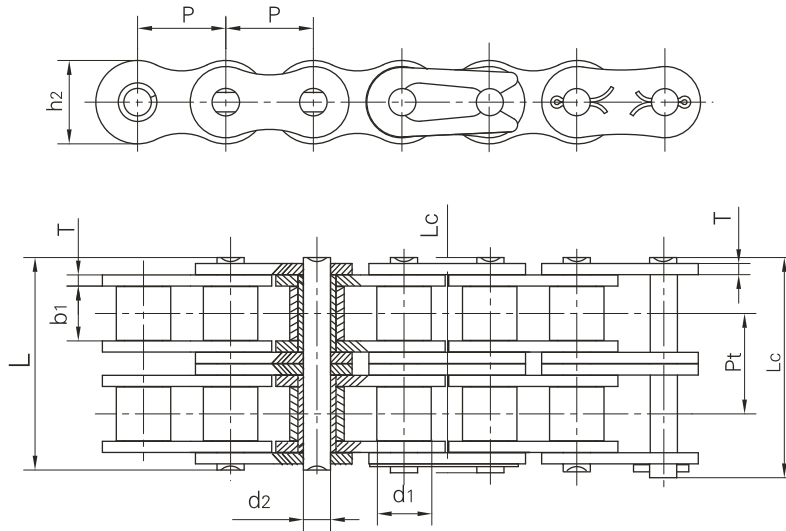
Vision Chain No.	节距	销轴直径	销轴长度	链板高度	链板厚度	摩擦片长度	摩擦片斜角	极限拉伸载荷	平均拉伸载荷	每米长重
	Pitch	Pin diameter	Pin length	Plate depth	Plate thickness	Width over friction plate	Angle of friction plate	Ultimate tensile strength	Average tensile strength	Weight per meter
	P	d2 max	L max	h2 max	T max	Lf	α	Q min	Q ₀	q
	mm	mm	mm	mm	mm	mm		kN/LB	kN	kg/m
A0	18.75	3.00	19.5	9.5	1.0	24.0	15°	9.0/2045	9.9	1.00
A1(A2)	25.0	3.00	30.1	13.5	1.5	37.8	15°	21.0/4772	23.3	2.23
A3	28.6	3.00	35.3	16.0	1.5	44.2	15°	38.5/8750	42.7	3.04
A4	36.0	4.00	48.5	20.5	1.5	58.5	15°	61.5/13977	68.2	5.54
A5	36.0	4.00	60.5	20.5	1.5	70.0	15°	71.0/16136	78.8	6.70



AGS-TECH VISION CHAINS

传动用滚子链 Driving chain

联轴器链 Coupling chains



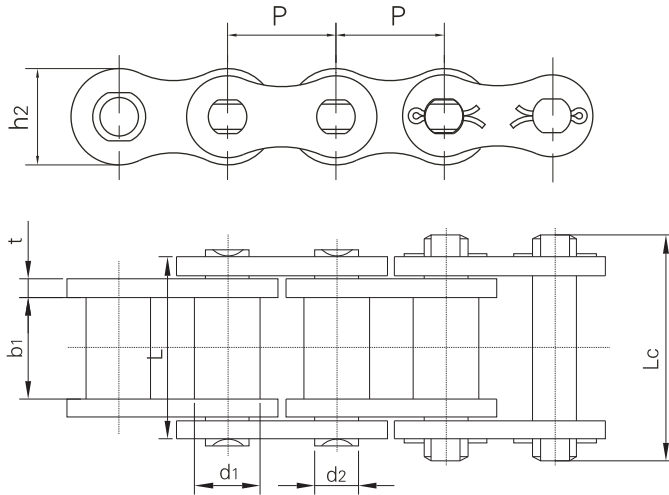
ANSI 链号 ANSI Chain No.	节距	滚子直径	内节内宽	销轴直径	销轴长度		内链板高度	链板厚度	排距	极限拉伸载荷	平均拉伸载荷	每条长重
	Pitch	Roller diameter	Width between inner plates	Pin diameter	L	L _c	Inner plate depth	Plate thickness	Transversal pitch	Ultimate tensile strength	Average tensile strength	Weight per piece
	mm	d ₁ max	b ₁ min	d ₂ max	mm	mm	h ₂ max	T max	P _t	Q _{min}	Q ₀	q
	mm	mm	mm	mm	mm	mm	mm	mm	mm	kN/LB	kN	kg/pc
4012	12.700	7.95	7.85	3.96	31.0	32.2	12.00	1.50	14.38	28.2/6409	35.9	0.16
4014	12.700	7.95	7.85	3.96	31.0	32.2	12.00	1.50	14.38	28.2/6409	35.9	0.19
4016	12.700	7.95	7.85	3.96	31.0	32.2	12.00	1.50	14.38	28.2/6409	35.9	0.21
5014	15.875	10.16	9.40	5.08	38.9	40.4	15.09	2.03	18.11	44.4/10091	58.1	0.49
5016	15.875	10.16	9.40	5.08	38.9	40.4	15.09	2.03	18.11	44.4/10091	58.1	0.56
5018	15.875	10.16	9.40	5.08	38.9	40.4	15.09	2.03	18.11	44.4/10091	58.1	0.63
6018	19.050	11.91	12.57	5.94	48.8	50.5	18.00	2.42	22.78	63.6/14455	82.1	1.00
6020	19.050	11.91	12.57	5.94	48.8	50.5	18.00	2.42	22.78	63.6/14455	82.1	1.11
6022	19.050	11.91	12.57	5.94	48.8	50.5	18.00	2.42	22.78	63.6/14455	82.1	1.22
8018	25.400	15.88	15.75	7.92	62.7	64.3	24.00	3.25	29.29	113.4/25773	141.8	2.35
8020	25.400	15.88	15.75	7.92	62.7	64.3	24.00	3.25	29.29	113.4/25773	141.8	2.62
8022	25.400	15.88	15.75	7.92	62.7	64.3	24.00	3.25	29.29	113.4/25773	141.8	2.88
10018	31.750	19.05	18.90	9.53	76.4	80.5	30.00	4.00	35.76	177.0/40227	219.4	4.95
10022	31.750	19.05	18.90	9.53	76.4	80.5	30.00	4.00	35.76	177.0/40227	219.4	4.95
12018	38.100	22.23	25.22	11.10	95.8	99.7	35.70	4.80	45.44	254.0/57727	314.9	8.14
12022	38.100	22.23	25.22	11.10	95.8	99.7	35.70	4.80	45.44	254.0/57727	314.9	8.14



AGS-TECH VISION CHAINS

传动用滚子链 Driving chain

套筒链 Bushing chains



Vision Chain No.	节距	内节内宽	销轴直径	套筒直径	销轴长度		链板高度	链板厚度	平均拉伸载荷	每米长重
	Pitch	Width between inner plates	Pin diameter	Bush diameter	Pin length		Plate depth	Plate thickness	Average tensile strength	Weight per meter
	P	b1 min	d2 max	d1 max	L max	Lc max	h2 max	t/T max	Q0 min	q
	mm	mm	mm	mm	mm	mm	mm	mm	F _B N	kg/m
B15	15	14	6	9	26	32	14	2.1	12500	1.21
B20	20	16	8	12	34	38	19	3.25	25000	2.15
B25	25	18	10	15	36	43	24	3.25	31500	2.55
B30	30	20	11	17	43	49	28	4.15	40000	4.00
B35	35	22	12	18	45	54	30	4.2	50000	4.30
B40	40	25	14	20	54	61	35	5.2	63000	5.50
B45	45	30	16	22	64	70	40	6.2	80000	7.55
B50	50	35	18	26	70	79	44	6.2	100000	9.04
B65	65	55	26	36	101	113	60	8.6	200000	18.90