



Industrial Chassis

Embedded Chassis for 3.5" SBC

Desktop Chassis for Mini-ITX

Wallmount Chassis for microATX

AGS-TECH Inc

Phone: +1-505-550-6501 and +1-505-565-5102

Fax: +1-505-814-5778

Email: sales@agstech.net

Web: <http://www.agstech.net>



DFI[®]

Revision Control • Long Product Life Cycle



ES520



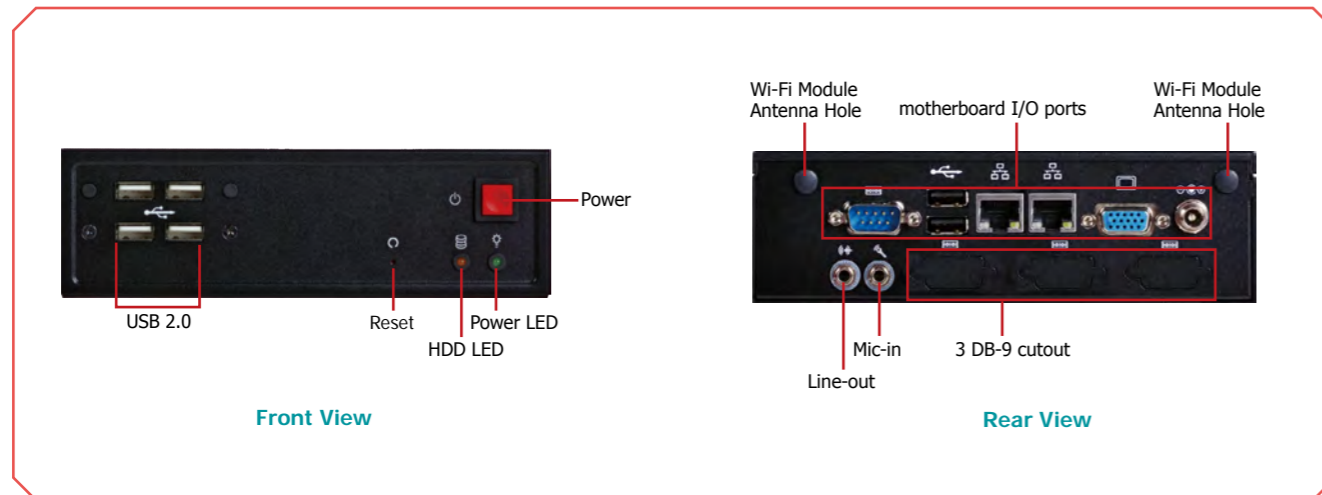
3.5" SBC

Features

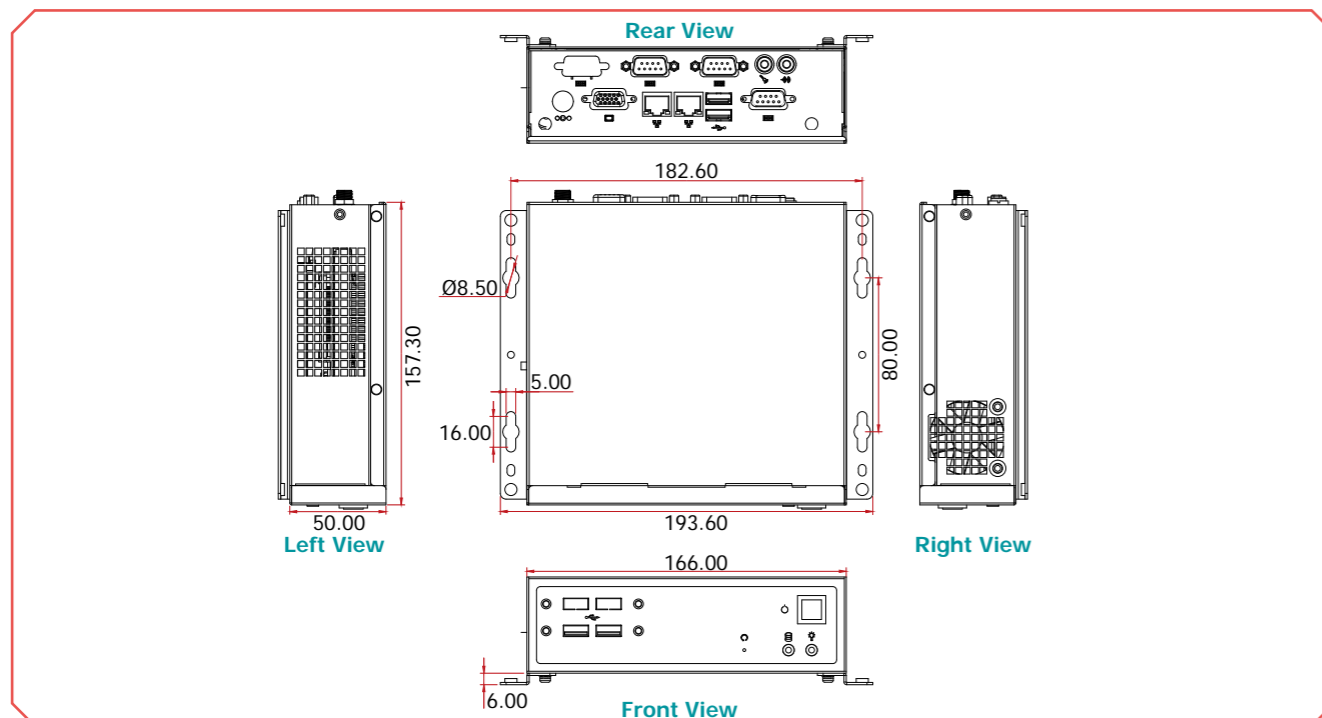
- Designed to accommodate any 3.5" SBCs
- 4 or 2 USB ports at the front panel (optional)
- 1 2.5" SATA drive bay



Panel



Dimensions



ES520

Specifications

STORAGE

- 1 2.5" SATA drive bay

I/O

- Front Panel
 - 4 or 2 USB 2.0 (optional)
 - 1 HDD LED
 - 1 Power LED
 - 1 Power button
 - 1 Reset button
- Rear Panel
 - 3 DB-9 cutout
 - 1 Mic-in
 - 1 Line-out

COOLING SYSTEM

- 1 system fan

ENVIRONMENT

- Temperature
 - Storage: -10°C ~ 60°C
- Humidity
 - Operating: 0% to 85% non-condensing

CONSTRUCTION

- Sheet metal

MOUNTING

- Wall mount
 - brackets and screws (optional)

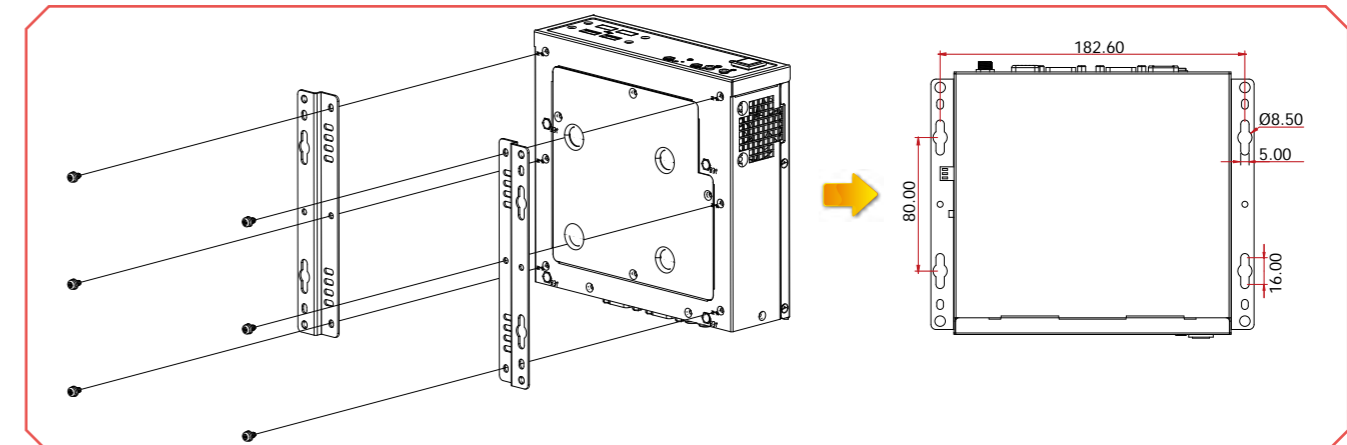
DIMENSIONS

- 166mm x 50mm x 157.3mm (W x H x D)

Optional Items

Optional Items	PN	Description
Wall Mount	761-ES5200-000G	ES520 Wall mount kit, RoHS

Wall Mounting



Designed to accommodate any 3.5" SBCs

- Fully compatible with DFI's 3.5" SBCs



DT122



Mini-ITX

Features

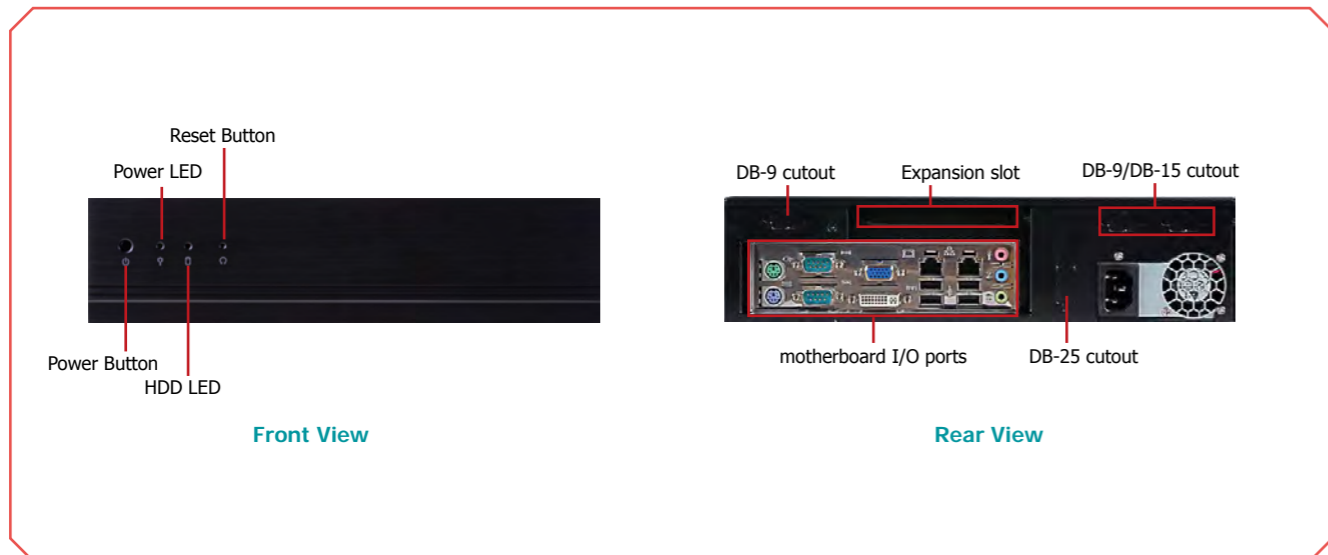
- Designed to accommodate any Mini-ITX board
- Supports one expansion slot
- Up to 2 2.5" or 1 3.5" SATA drive bay
- 1 optical drive bay (optional)

Available models supporting 3rd/2nd Gen Intel® Core™:

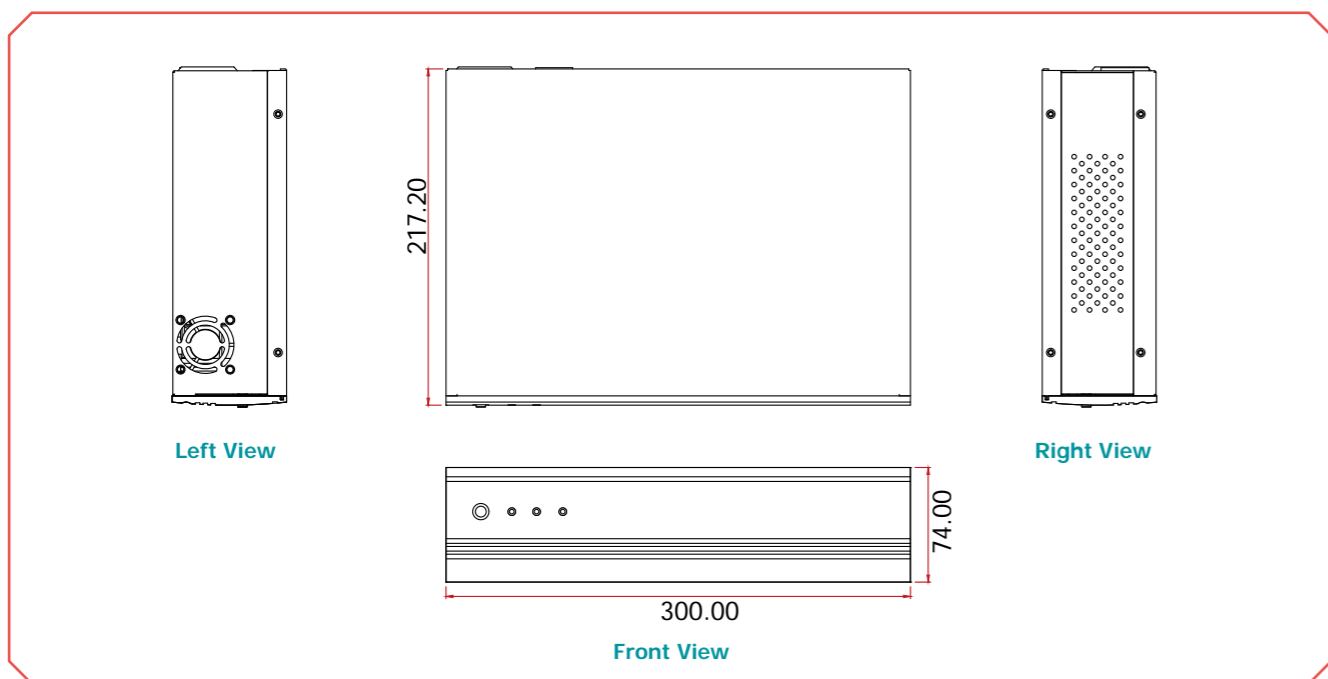
- DT122-CR: QM77
- DT122-SB: Q67
- DT122-HR: QM67



Panel



Dimensions



DT122

Specifications

STORAGE

- Up to 2 2.5" or 1 3.5" SATA drive bay
- 1 optical drive bay (optional)

FRONT PANEL

- 1 HDD LED
- 1 Power LED
- 1 Power button
- 1 Reset button

REAR PANEL

- 1 DB-9 cutout
- 1 DB-9/DB-15 cutout
- 1 DB-25 cutout

COOLING SYSTEM

- 1 system fan

EXPANSION

- 1 expansion slot
 - 1 PCIe x16 or 1 PCI slot

POWER

- Power type
 - Flex ATX power supply

ENVIRONMENT

- Temperature
 - Storage: -20°C ~ 60°C
- Humidity
 - 90% RH at 45°C, 1 week

VIBRATION

- Operating: 1G, 5~500Hz
- Non-operating: 1.5G, 5~25Hz
- IEC 68-2-64 compliant

SHOCK

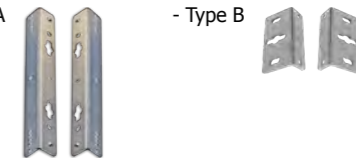
- Operating: 3G peak acceleration (11 msec. duration)
- Non-operating: 10G peak acceleration (11 msec. duration)
- IEC 68-2-27 compliant

CONSTRUCTION

- Front panel: aluminum
- Rear chassis: sheet metal

MOUNTING

- 2 types of wall mount bracket
 - Type A
 - Type B

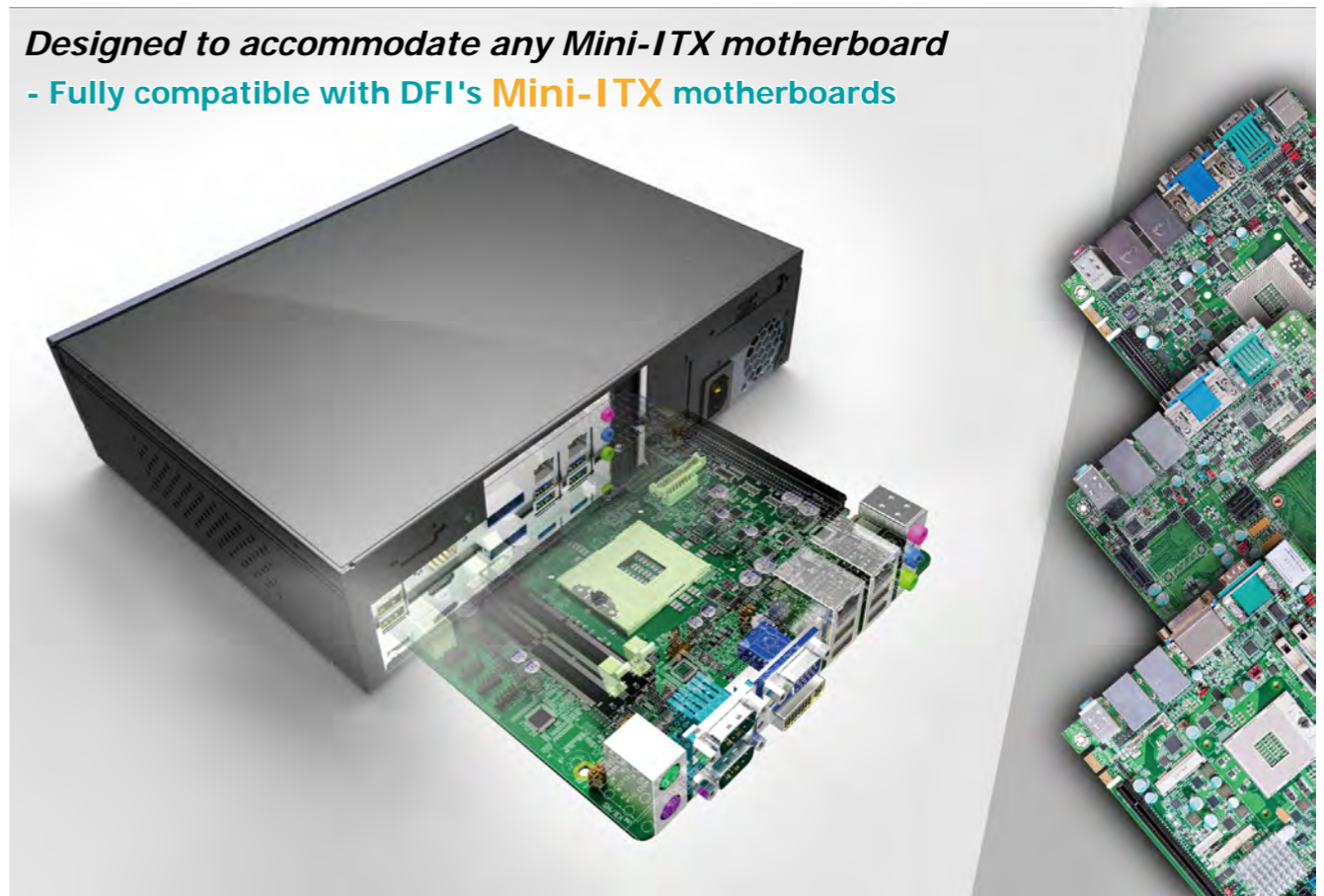


- Brackets and screws (optional)

DIMENSIONS

- 300mm x 74mm x 217.20mm (W x H x D)

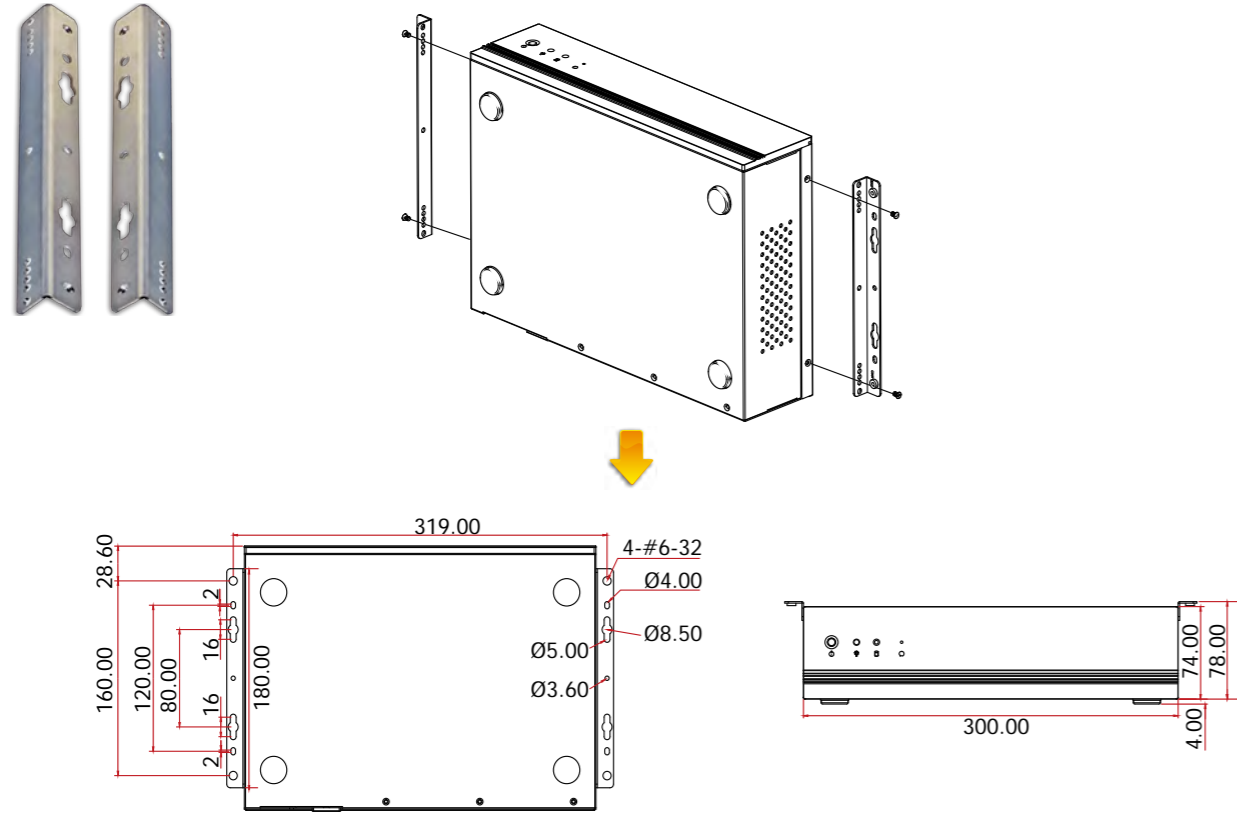
Designed to accommodate any Mini-ITX motherboard
 - Fully compatible with DFI's Mini-ITX motherboards



DT122

▶ Wall Mounting

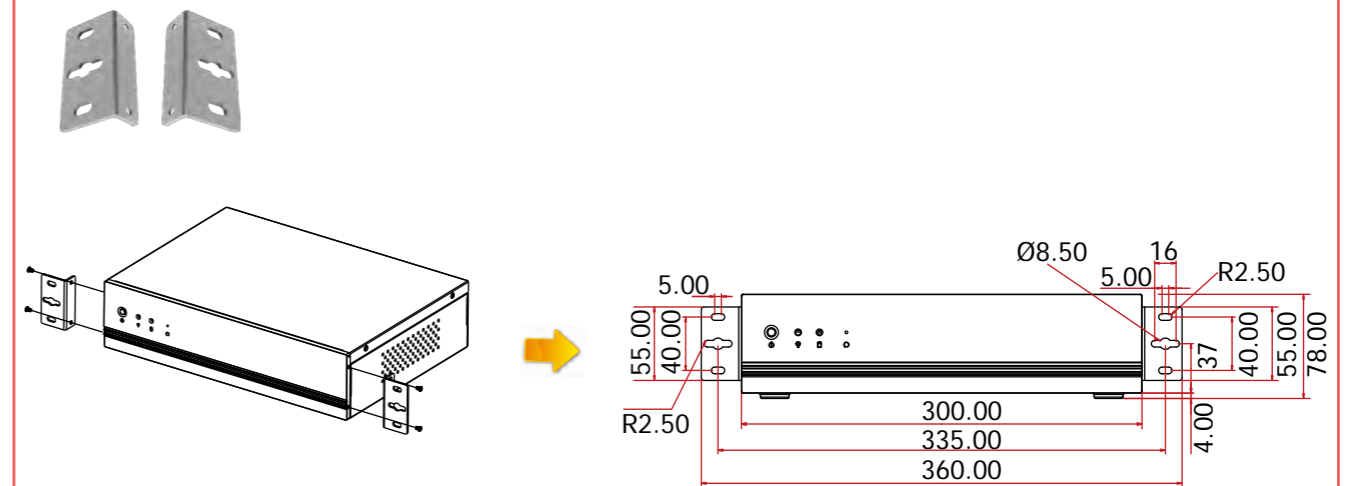
Type A Wall mount bracket





DT122

▶ Wall Mounting

Type B Wall mount bracket



▶ Optional Items

Optional Items	Part Number	Description
Wall Mount	761-DT1220-100G	DT122 type A wall mount kit for top cover, RoHS 
	761-DT1220-000G	DT122 type B wall mount kit for front cover, RoHS 

WM340



microATX

► Features

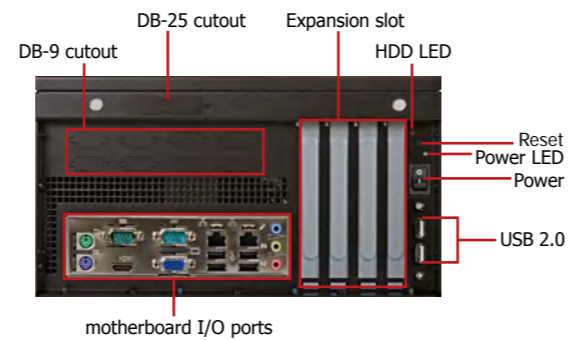
- Designed to accommodate any microATX board
- Support four expansion slots
- 2 2.5" SATA drive bays (standard)
2 3.5" SATA drive bays (optional)



► Panel

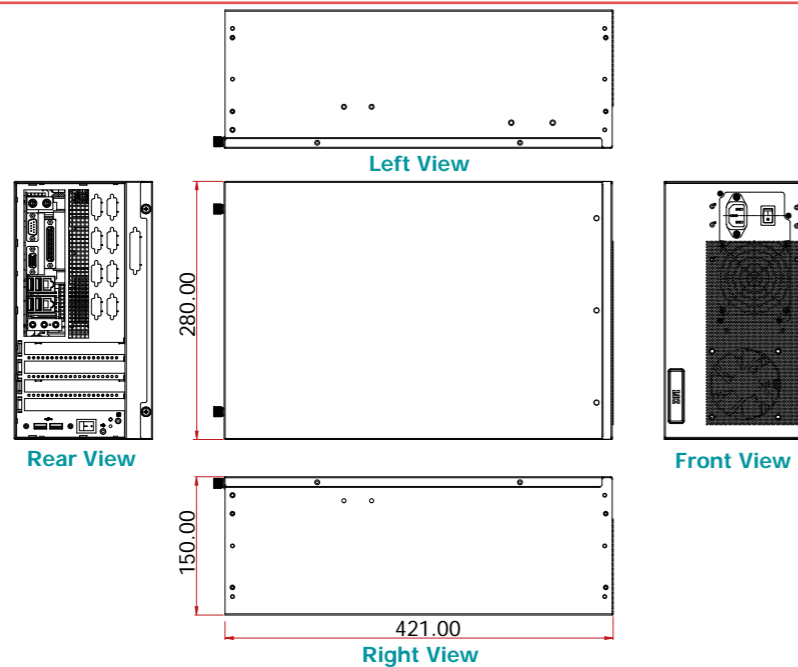


Front View



Rear View

► Dimensions



WM340

► Specifications

STORAGE

- 2 2.5" SATA drive bays (standard)
- 2 3.5" SATA drive bays (optional)

EXPANSION

- 4 expansion slots

REAR I/O

- 1 DB-25 cutout
- 8 DB-9 cutout
- 2 USB 2.0 ports
- Power LED
- HDD LED
- 1 power switch
- 1 reset button

COOLING SYSTEM

- 1 system fan

POWER

- 300W PS/2 power supply

ENVIRONMENT

- Temperature
 - Storage: -10°C ~ 60°C
- Humidity
 - Operating: 85%

CONSTRUCTION

- SECC

MOUNTING

- Wall mount
 - brackets and screws (optional)

DIMENSIONS

- 280mm x 150mm x 421mm (W x H x D)

WEIGHT

- TBD

► Optional Items

Optional Items	PN	Description
Wall Mount	761-EC2000-000G	WM340 wall mount kit, RoHS

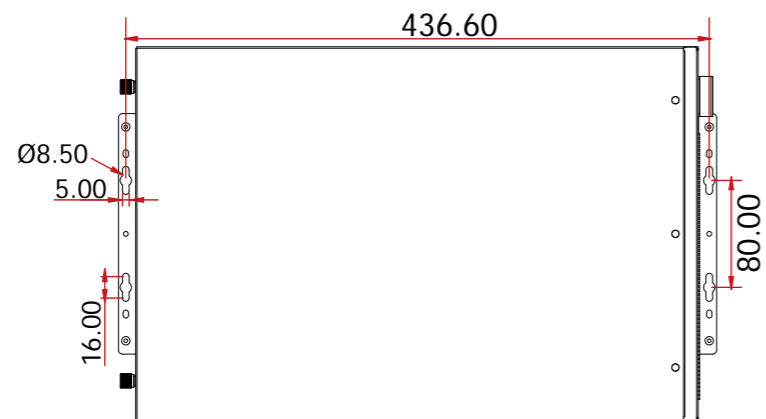
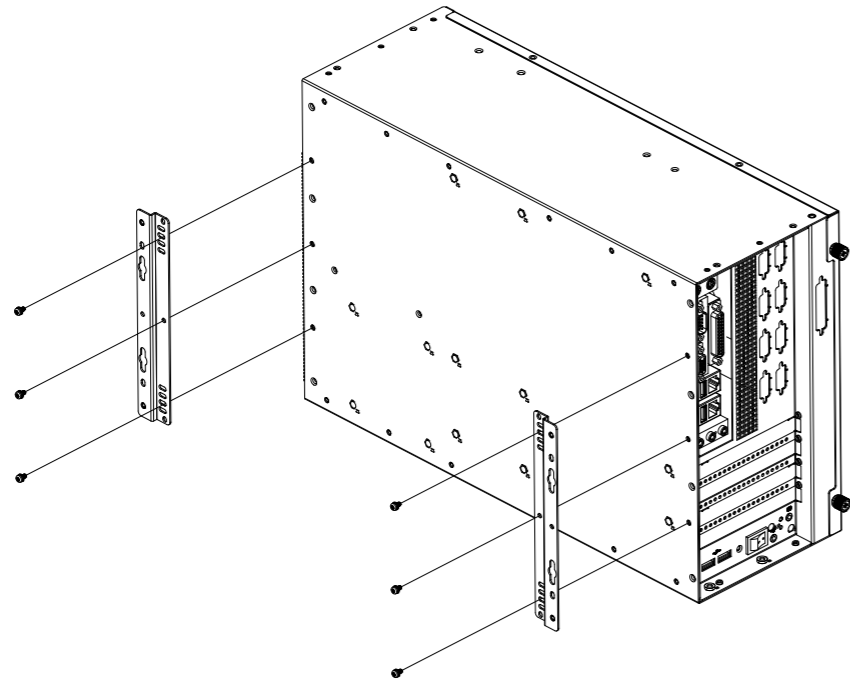
Designed to accommodate any microATX motherboard
- Fully compatible with DFI's microATX motherboards



WM340

▶ Wall Mounting

2 Wall mount brackets



AGS-TECH Inc

Phone: +1-505-550-6501 and +1-505-565-5102

Fax: +1-505-814-5778

Email: sales@agstech.net

Web: <http://www.agstech.net>



WM340

▶ Wall Mounting

4 Wall mount brackets

