

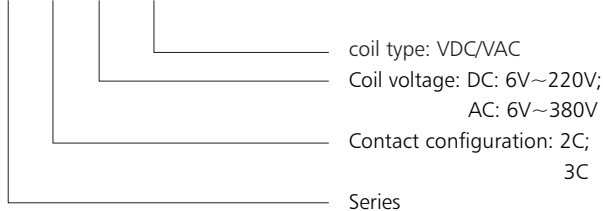
## JTX Miniature power relay

### 1. Features

- 1.1 10A switching current
- 1.2 Various sockets available
- 1.3 Full range of AC and DC coil
- 1.4 Certificate: UL, CE

### 2. Ordering information

JTX - 2C / 006 / VDC



### 3. Contact specification

Contact Arrangement		2C, 3C
Initial contact resistance	mΩ	100
Contact material		Silver alloy
Contact load		10A/250VAC, 10A/28VDC
Max. switching voltage	VAC	250
	VDC	125
Max. switching current	A	10
Max. switching capacity	VA	2500
	W	280
Electrical endurance	Cycles( $\times 10^3$ )	100
Machanical endurance	Cycles( $\times 10^6$ )	10

### 4. Coil specification

AC					DC				
Rated voltage	Holding voltage	Must drop-out voltage	Operating range	Power consumption	Rated voltage	Holding voltage	Must drop-out voltage	Operating range	Power consumption
6					6				
12					12				
24					24				
48	80%Un	30%Un	(80%-110%) Un	3VA	36	75%Un	10%Un	(75%-110%) Un	2W
110					48				
220					110				
380					220				

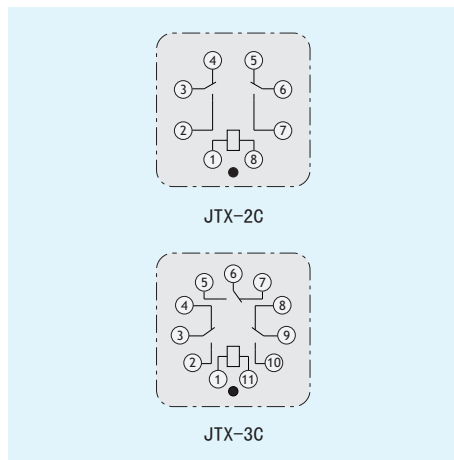


## 5. Characteristics

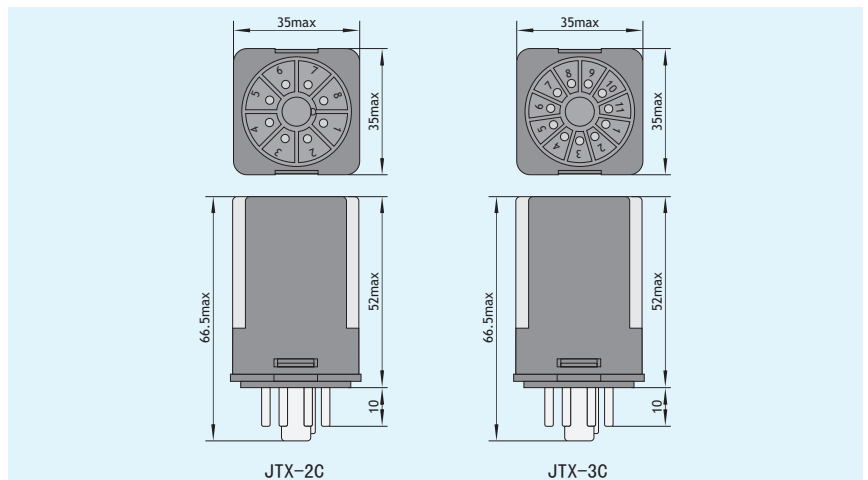
Insulation resistance(at 500VDC)		m Ω	100
Dielectric strength	Between coil & contacts		1500VAC for 1 min
	Between open contacts		1000VAC for 1 min
Operation time		ms	≤20
Release time		ms	≤20
Shock resistance		m/s <sup>2</sup>	100
Vibration			10~55Hz,1mm double amplitude
Humidity			98% RH at +20℃
Ambient temperature range		℃	-40~+55
Termination			Plug-in
Dimension		mm	35×35×52

## 6. Overall mounting dimensions (mm)

Internal connection (bottom view)



Dimensions

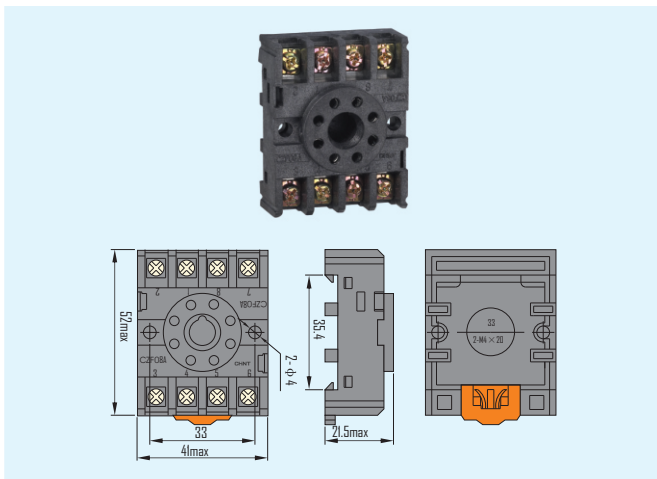


## 7. Socket

Socket for JTX-2C

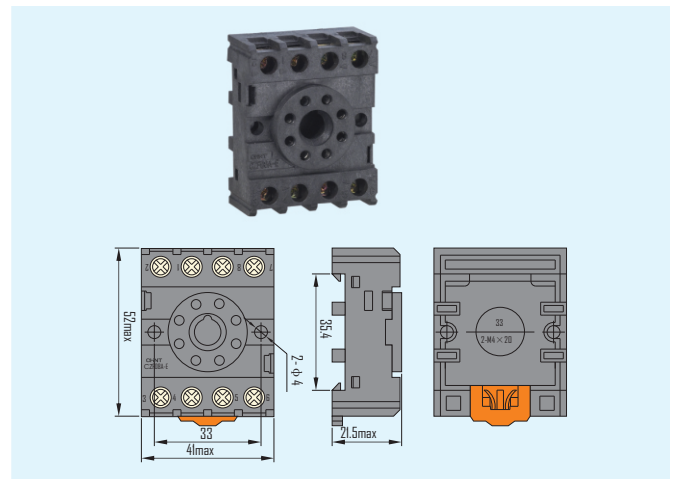
Dimensions: 52×41×21.5 (mm)

CZF08A



Dimensions: 52×41×21.5 (mm)

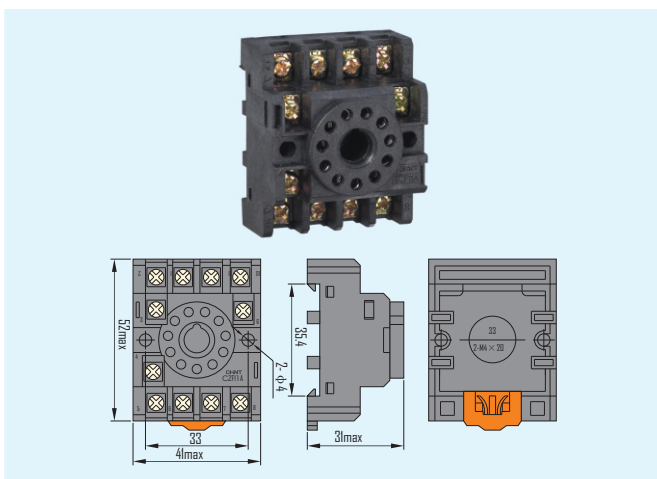
CZF08A-E  
with finger proof



Socket for JTX-3C

Dimensions: 52×44×31 (mm)

CZF11A



Dimensions: 52×44×31 (mm)

CZF11A-E  
with finger proof

