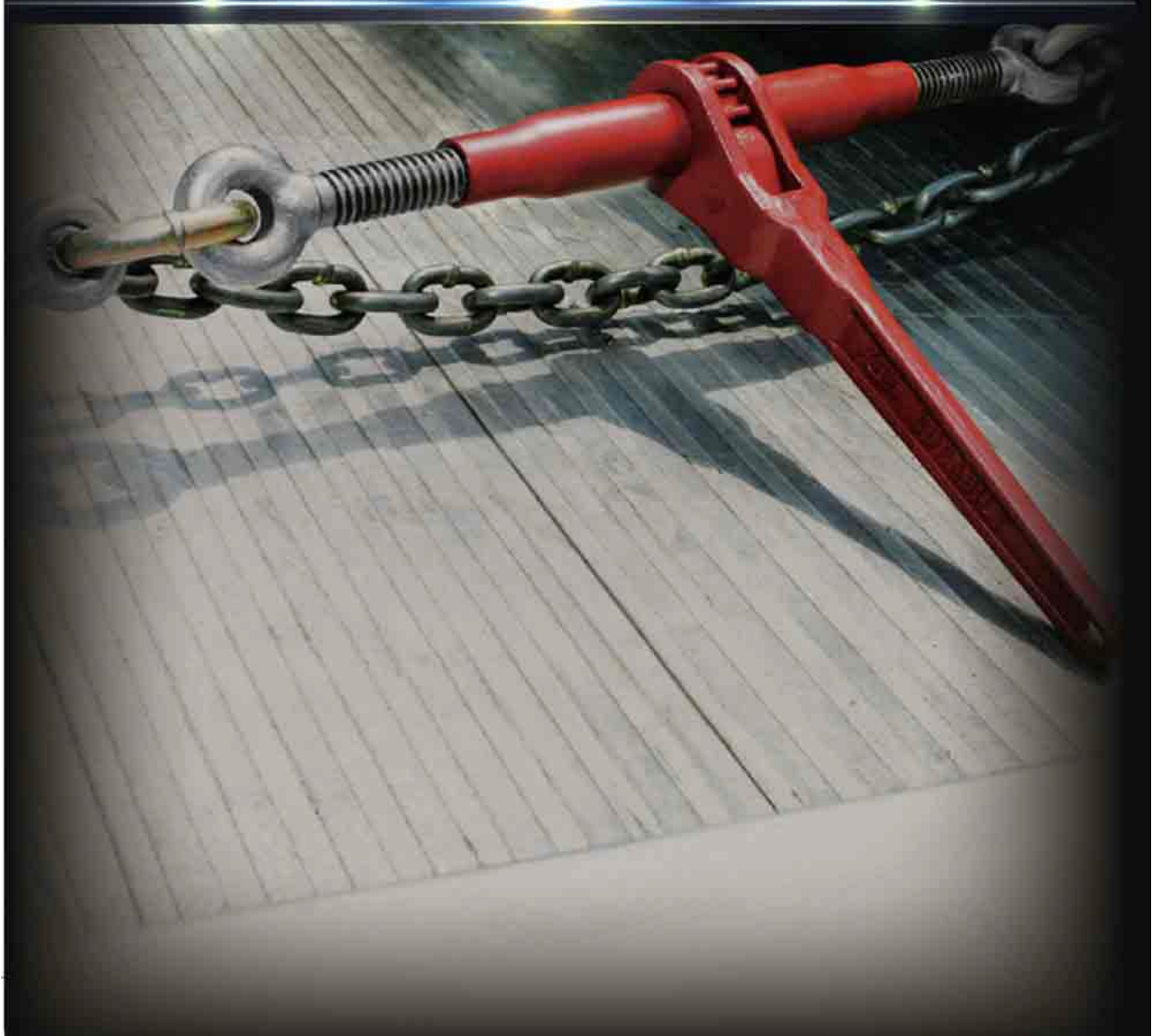


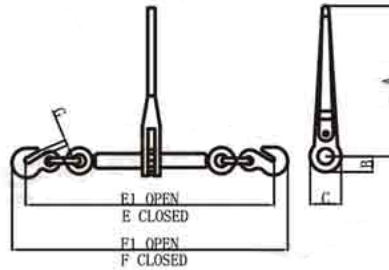


# LOAD BINDER 紧索具



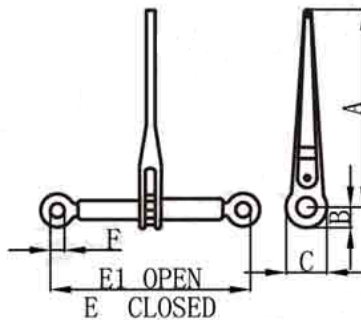
# LOAD BINDER

## Ratchet Type Load Binders 模锻棘轮式紧索具



Min-Max Chain Size (in)	WLL (lbs)	Proof Load (lbs)	Breaking Load (lbs)	Weight (lbs)	Handle Length (in)	Dimensions(in)						
						A	B	C	E	E1	F	G
1/4-5/16	2200	4400	7800	3.52	7.16	7.16	0.89	1.77	16.22	21.26	17.79	0.35
5/16-3/8	5400	10800	19000	10.5	13.42	13.92	1.3	2.6	22.64	30.64	25.24	0.51
3/8-1/2	9200	18400	33000	12.9	13.92	13.92	1.3	2.6	24.13	32.13	27.04	0.59
1/2-5/8	13000	26000	46000	14.38	13.92	13.92	1.3	2.6	26.45	34.45	30.07	0.74

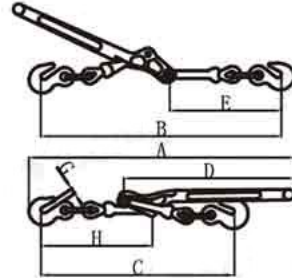
## Ratchet Type Load Binders Without Links Or Hooks 无钩环棘轮式紧索具



Min-Max Chain Size (in)	WLL (lbs)	Proof Load (lbs)	Breaking Load (lbs)	Weight (lbs)	Handle Length (in)	Dimensions(in)					
						A	B	C	E	E1	F
5/16-3/8	5400	10800	19000	7.8	13.42	13.92	1.3	2.6	13.7	21.7	0.79
3/8-1/2	9200	18400	33000	7.8	13.92	13.92	1.3	2.6	13.7	21.7	1.02
1/2-5/8	13000	26000	46000	8.5	13.92	13.92	1.3	2.6	24.13	32.13	27.04

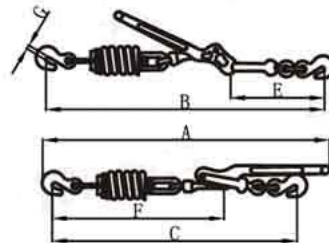
# LOAD BINDER

## Lever Type Load Binders 模锻杠杆式紧索具



Min-Max Chain Size (in)	WLL (lbs)	Proof Load (lbs)	Breaking Load (lbs)	Weight (lbs)	Handle Length (in)	Dimensions(in)						
						A	B	C	D	E	H	G
1/4-5/16	2200	4400	7800	3.52	11.42	18.5	17.3	14.17	11.42	8.27	8.07	0.35
5/16-3/8	5400	10800	19000	8.37	15.43	25.2	23.2	19.49	15.55	11.22	11.22	0.51
3/8-1/2	9200	18400	28000	12.11	17.24	28.5	26.38	22.05	17.64	12.99	12.2	0.59
1/2-5/8	11000	22000	44000	19.7	21	33.86	30.12	25.87	20.87	14.37	14.37	0.74

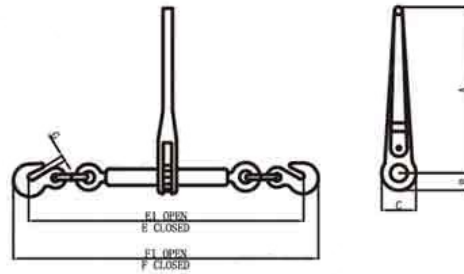
## Spring Load Binders 弹簧式紧索具



Min-Max Chain Size (in)	WLL (lbs)	Proof Load (lbs)	Breaking Load (lbs)	Weight (lbs)	Handle Length (in)	Dimensions(in)						
						A	B	C	D	E	F	G
5/16-3/8	5400	10800	16200	12.3	15.43	34.06	31.7	27.76	15.43	10.62	19.29	0.47
3/8-1/2	9200	18400	33000	19.81	17.24	38.9	37.12	33.62	17.24	13.78	22.78	0.63

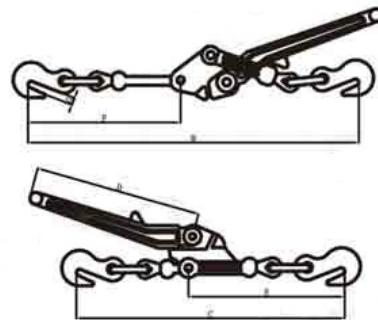
# LOAD BINDER

## European Type Load Binders 欧式紧索具



Min-Max Chain Size (in)	LC (kn)	Breaking Load (kn)	Weight (lbs)	Handle Length (in)	Barrel Length (in)	Take Up (in)	Dimensions (in)							
							A	B	C	E	E1	F	F1	G
6mm	20	40	3.52	7.16	6.3	4.65	7.16	0.89	1.77	17.4	22.04	19.2	23.84	0.35
8mm	40	80	10.50	13.42	9.92	8	13.92	1.3	2.6	23.78	31.78	26.14	34.14	0.47
10mm	63	126	12.2	13.92	9.92	8	13.92	1.3	2.6	23.82	31.82	26.93	34.93	0.63
13mm	100	200	14.38	13.92	9.92	8	13.92	1.3	2.6	25.9	33.9	29.57	34.57	0.72
16mm	160	320	19	13.92	11	10	13.92	1.3	2.6	26.5	34.8	31.6	39.9	0.92

## Recoilless Chain Load Binders 间接式紧索具

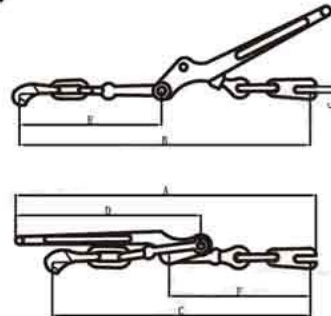


Min-Max Chain Size (in)	WLL (lbs)	Proof Load (lbs)	Breaking Load (lbs)	Weight (lbs)	Handle Length (in)	Dimensions (in)					
						B	C	D	E	F	G
5/16-3/8	5400	10800	19000	9.25	13	23.62	22.32	13.1	11.26	11.26	0.47



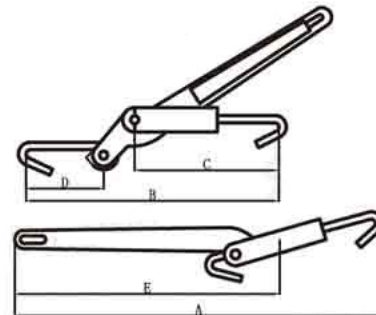
# LOAD BINDER

## Lever Type Load Binders 抓钩式紧索具



Min-Max Chain Size (in)	WLL (lbs)	Proof Load (lbs)	Breaking Load ( lbs )	Weight (lbs)	Handle Length (in)	Dimensions(in)						
						A	B	C	D	E	F	G
1/4-5/16	2200	4400	7800	3.62	11.42	18.43	19.1	15.74	11.42	9.13	8.82	0.31
5/16-3/8	5400	10800	19000	8.56	15.43	25.67	25.66	24.36	15.43	12.28	12.28	0.47
3/8-1/2	9200	18400	33000	12.38	17.24	30.47	31.53	27.71	17.24	15.44	15.44	0.63

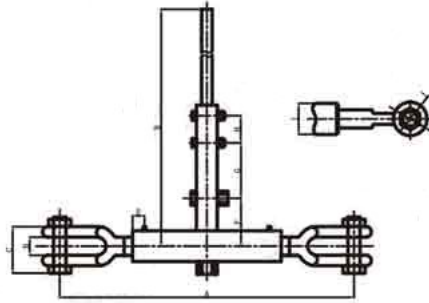
## Ltload Binders 简易式紧索具



Min-Max Chain Size (in)	WLL(lbs)	Proof Load (lbs)	Breaking Load ( lbs )	Weight (lbs)	Handle Length (in)	Dimensions(in)				
						A	B	C	D	E
175	175	350	0.4	0.4	—	—	—	—	—	—
250	250	500	1.43	1.43	9.05	12.4	8.82	5	2.75	9.05
375	375	750	1.4	1.4	9.05	12.2	9.5	5.16	3.23	9.05

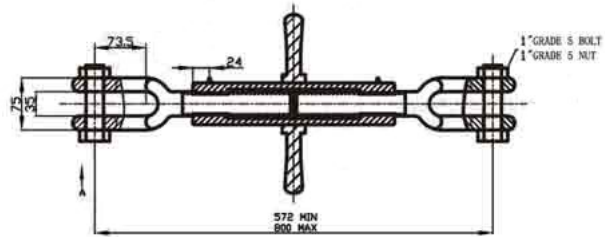
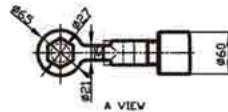
# LOAD BINDER

## Ratchet Load Binders With Jaw & Jaw 叉叉式紧索具



Size (in)	Breaking Load (lbs)	Dimensions(mm)											Weight (lbs)
		A(Max)	B	C	D	E	F	G	H	I	J	K	
1 3/8	85000	572	560.5	75	35	24	92.5	108	53	60	27	65	16.53
1 3/4	133600	850.9	558.8	123.8	60.3	55	111	108	53	44.45	44.45	88.45	27.56

## Wheel Turnbuckles 轮式紧索具



NOTE: #5000L.B MIN. BREAKING STRENGTH