



## Company Profile

Founded in 2010, we Sinowon Innovation Metrology Manufacture Limited is National Authorized Hi-Tech Manufacturer (Certificate No.: GR201544000821), ISO9001:2015 Certified company, GuangDong Province Enterprise of Observing Contract and Valuing Credit, Shenzhen Qianhai Equity Trading Center(SEC Registration Number:666354).

So far as founded in 2010, Sinowon always consider customer as the starting point, manage corporation with motto "Satisfaction, Innovation, Norm, Obligation, Worth, Openness, Nimble". Constantly improve the management system, increase technology research and development, strengthen the company's ability to integrate production, dedicated to provide users with high-quality testing equipment and one-stop pre-sale, sale and after-sales service.

SINOWON is mainly produce, develop, integrate and sell measuring data software system, optical inspection instrument such as One Key Instant Vision Measuring System, Fully Auto Video Measuring System, Tool Microscope, Video Measuring Microscope and hardness tester such as Automatically Vickers Hardness Tester, Rockwell Hardness Tester, Brinell Hardness Tester, Micro Hardness Tester, Portable Ultrasonic Hardness Tester, Leeb Hardness Tester, etc and some other accessory products. And all of our products have passed The CE EU certification and widely used in metal, plastics, electronics, semiconductors, home appliances, telecommunications, automotive, aviation, aerospace and other industrial laboratories, production workshops, assembly line for quality control.

From the date of establishment, SINOWON is based on the Metrology industry, focused on customer and be a striver for committing to make measurement more accurate and uncomplicated and supply high cost-performance products and service for customers.

We warmly welcome you to visit our headquarter in Free Experience Center, and looking forward to further essence from you.

Sinowon is Committed to Make Measurement More Accurate and Uncomplicated!



Intermach Metal Processing Machinery Fair



CCMT China CNC Machine Tool Fair



ASEAN International Machine Tool Fair



DMP Tooling and Machining Fair

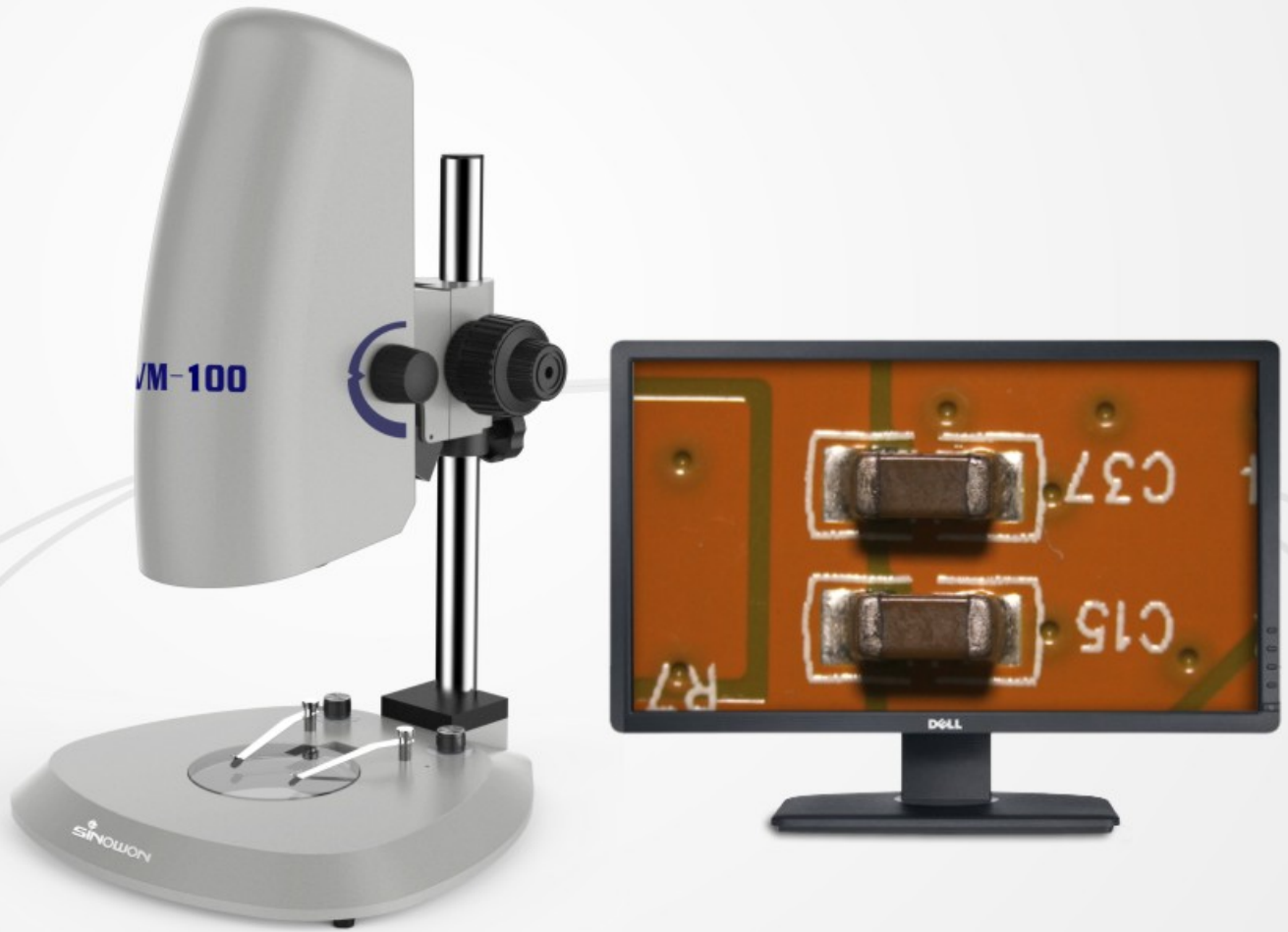


SIMM Machinery Fair



Control Stuttgart Quality Control Fair

Video Microscope  
**VM-100**



Digital  
Zoom



Photo and  
Video Record



SD  
Memory Card



USB2.0 Simple  
2D measurement



0.7~4.5X  
Click Zoom Lens



### + Characteristic

- Integral design, exquisite, fashion, generous;
- With high definition 0.7~4.5X parallel continue zoom lens, it is more convenient and fast to switch objective magnification;
- With precision coarse and fine lifting system, ensure perfect focus and clear image;
- With adjustable LED bottom and surface illumination, it can control brightness independently;
- Built-in FULL HD sensor and VGA integrated camera, can directly connect with the monitor to realize video image and can also use SD card to take picture or record video, which integrate video observation and image storage;
- Simple external interface: 12V power supply input and USB/VGA video output, SD card hole to make installation simpler;
- Multiple optional mobile control platform, ensure precision position measurement.

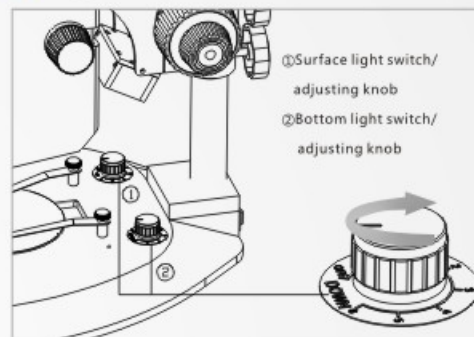
### + Specifications

Product Name	Video Microscope
Model	VM-100
Code#	451-410
Electronic Magnification	8X~206X ( 16:9 21.5" Monitor )
Optical Objective	0.7X~4.5X horizontal zoom lens
	Zoom ratio 6.5:1
Camera Parameter	0.5X C-mount Camera Adapter
	2 million pixel (1920*1080)
	Image Size : 1/2.86"
Camera Function	Frames Per Second : 30fps
	White Balance; Brightness Control; Digital Noise Reduction
	Photograph and Video Record
	VGA/USB Output, SD Card Storage
	OSD : Comprehensive digital UI design, Wireless USB 2.0 Mouse Operation
	Cross Line
Measuring Function	Picture Frozen, 10X Digital Magnification
	Optional PC System and measuring software can measure image in the field of view
Illumination	Bottom: Adjustable LED Illumination
	Surface: Adjustable LED Illumination
Microscope Stand	Z-axis Travel : 150mm
	Coarse/Fine Lifting System
Electrical Parameters	AC90~240V ; 50~60HZ
Dimension	290*280*400 mm
Gross/Net Weight	7.0/4.7Kg

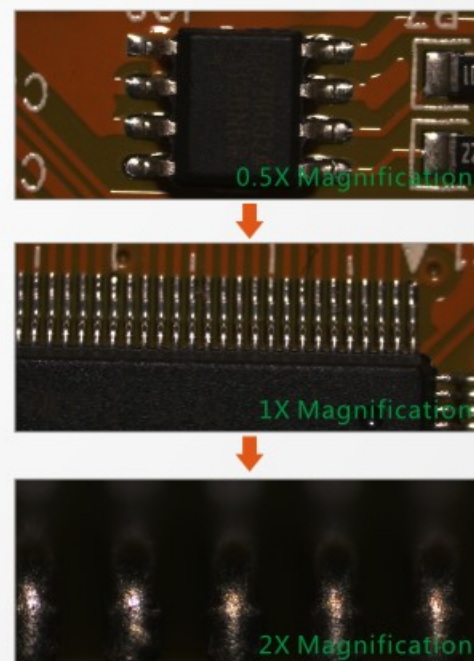
### + Field of View

Auxiliary objective	Field of view (0.5X Camera Adapter)																		Remark
	0.7X			1X			2X			3X			4X			4.5X			
	Length	Width	Diagonal	Length	Width	Diagonal	Length	Width	Diagonal	Length	Width	Diagonal	Length	Width	Diagonal	Length	Width	Diagonal	
0.5X WD:108mm	Magnification 0.18X-1.12X																		Opt.
1.0X WD:91mm	Magnification 0.35X-2.25X																		Std.
2.0X WD:35.3mm	Magnification 0.70X-4.50X																		Opt.

### + Light Adjustment



### + Image



### + Magnification

Zoom Lens 1/2.86" Camera 21.5" Monitor	VM-100 Video Microscope Electronic Magnification						Remark
	0.7X	1X	2X	3X	4X	4.5X	
0.5X Adapter							
Auxiliary objective 0.5X WD:108mm	8X	11.5X	23X	34.5X	46X	51.5X	Opt.
Auxiliary objective 1.0X WD:91mm	16X	23X	46X	69X	92X	103X	Std.
Auxiliary objective 2.0X WD:35.3mm	32X	46X	92X	138X	184X	206X	Opt.

Auto Focus Video Microscope  
**VM-200**



Auto  
Focus



21.5"  
HDMI LCD



2MP CMOS  
Color Camera

### + Characteristic

- Integral design,exquisite,fashion,generous;
- With high definition 0.7~4.5X parallel continue zoom lens,it it more convenient and fast to switch objective magnification;
- With adjustable LED surface reflection illumination,is able to control brightness independently;
- With 2 million pixel auto focus camera, no need to waste time for manual focus frequently.

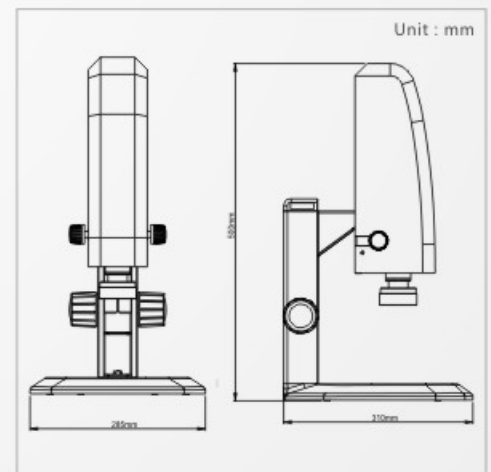
### + Specifications

Product Name	Auto Focus Video Microscope
Model	VM-200
Code#	451-420
Electronic Magnification	8X~206X ( VGA 16:9 21.5" Monitor )
Optical Objective	0.7X~4.5X horizontal zoom lens
	Zoom ratio 6.5:1
	0.5X C-mount Camera Adapter
Camera Parameter	2 million pixel (1920*1080)
	Image Size : 1/2.86"
	Frames Per Second : 30fps
Camera Function	Auto Focus
	HDMI Output
	White Balance; Brightness Control; Digital Noise Reduction
Illumination	Surface: Adjustable LED Surface Illumination
	Ring Fiber Illumination Optional
Microscope Stand	Z-axis Travel : 100mm
	Coarse/Fine Lifting System
Electrical Parameters	AC90~240V ; 50~60HZ
Dimension	310*285*500 mm
Gross/Net Weight	7.0/4.7Kg

### Partial Display



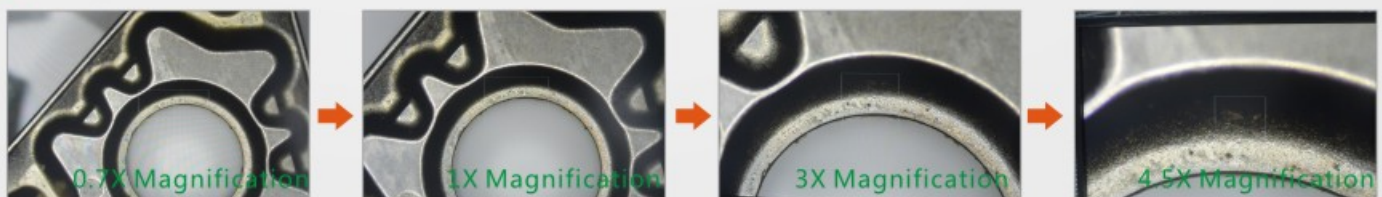
### Dimension Drawing



### + Field of View

Auxiliary objective	Field of view (0.5X Camera Adapter)															Remark			
	0.7X			1X			2X			3X			4X				4.5X		
	Length	Width	Diagonal	Length	Width	Diagonal	Length	Width	Diagonal	Length	Width	Diagonal	Length	Width	Diagonal	Length	Width	Diagonal	
0.5X WD:108mm	25.29	22.86	34.09	17.70	16.00	23.86	8.85	8.00	11.93	5.90	5.33	7.95	4.43	4.00	5.97	3.93	3.56	5.30	Opt.
1.0X WD:91mm	12.64	11.43	17.04	8.85	8.00	11.93	4.43	4.00	5.97	2.95	2.67	3.98	2.21	2.00	2.98	1.97	1.78	2.65	Std.
2.0X WD:35.3mm	6.32	5.71	8.52	4.43	4.00	5.97	2.21	2.00	2.98	1.48	1.33	1.99	1.11	1.00	1.49	0.98	0.89	1.33	Opt.

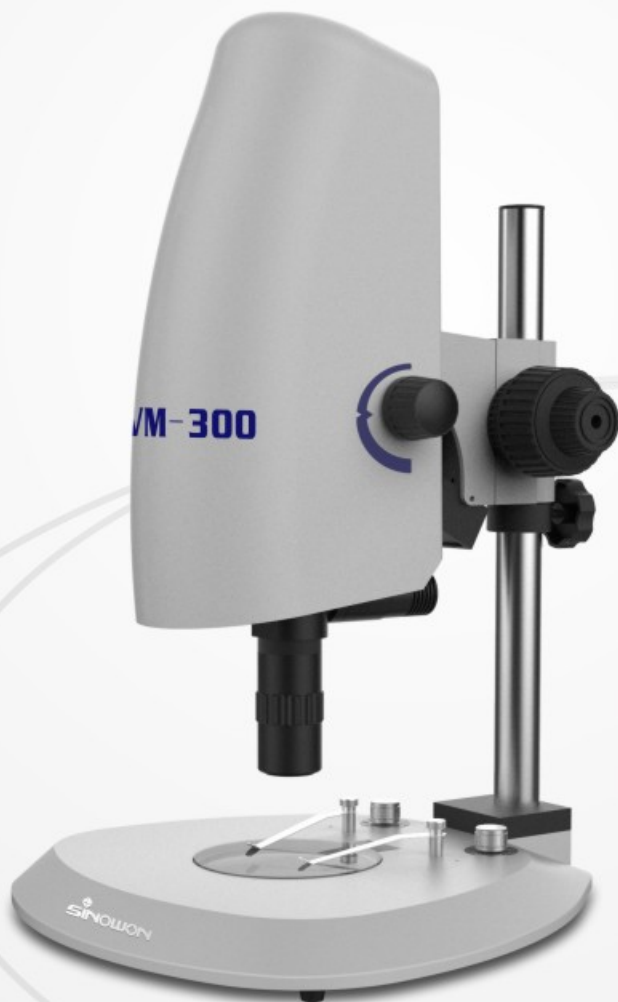
### Image





Coaxial Illumination Video Microscope

**VM-300**



Digital Zoom



Photo and Video Record



SD Memory Card



USB2.0 Simple 2D measurement



0.7~4.5X Click Zoom Lens



10X APO High Magnification Lens

### + Characteristic

- Integral design, exquisite, fashion, generous;
- With high definition 0.7~4.5X horizontal zoom lens, it is more convenient and fast to switch objective magnification, and it can enlarge with high magnification with optional APO 5X/10X lens;
- With precision coarse and fine lifting system, ensure perfect focus and clear image;
- With adjustable LED bottom and surface illumination, when equipped with APO lens, it can used contour illumination and control brightness independently;
- Built-in FULL HD sensor and VGA integrated camera, can directly connect with the monitor to realize video image and can also use SD card to take picture or record video, which integrate video observation and image storage;
- Simple external interface: 12V power supply input and USB/VGA video output, SD card hole to make installation simpler.

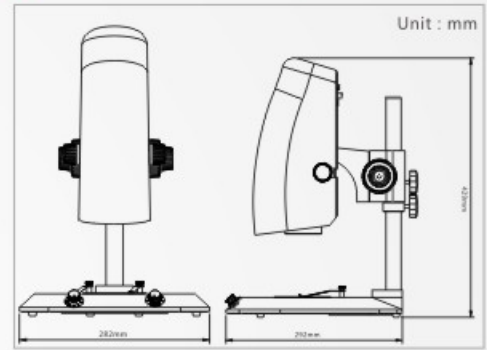
### + Specifications

Product Name	Coaxial Illumination Video Microscope
Model	VM-300
Code#	451-430
Electronic Magnification	16X~206X ( 16:9 21.5" Monitor )
Optical Objective	0.7~4.5X horizontal zoom lens
	Zoom ratio 6.5:1
	1X C-mount Camera Adapter 10X APO Lens : WD:35mm
Camera Parameter	2 million pixel (1920*1080)
	Image Size : 1/2.86"
Camera Function	Photograph and Video Record
	Cross Line
Measuring Function	VGA/USB Output, SD Card Storage
	OSD : Photograph and Video Record
	White Balance; Brightness Control; Digital Noise Reduction
	Picture Frozen,10X Digital Magnification
Illumination	Optional PC System and measuring software can measure image in the field of view
	Bottom: Adjustable LED Illumination Surface: Adjustable LED Illumination
Microscope Stand	Z-axis Travel : 150mm
	Coarse/Fine Lifting System
Electrical Parameters	AC90~240V ; 50~60HZ
Dimension	290*280*400 mm
Gross/Net Weight	7.0/4.7Kg

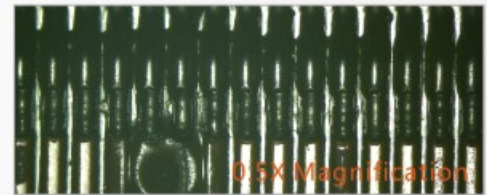
### + Field of View

Auxiliary objective	Field of view (0.5X Camera Adapter)																		Remark
	0.7X			1X			2X			3X			4X			4.5X			
	Length	Width	Diagonal	Length	Width	Diagonal	Length	Width	Diagonal	Length	Width	Diagonal	Length	Width	Diagonal	Length	Width	Diagonal	
0.5X WD:108mm	Magnification 0.18X-1.12X																		Opt.
1.0X WD:91mm	Magnification 0.18X-1.12X																		Std.
2.0X WD:35.3mm	Magnification 0.35X-2.25X																		Opt.
10X APO WD:35MM	Magnification 0.70X-4.50X																		Std.

### + Dimension Drawing



### + Image



### + Magnification

Zoom Lens 1/2.86" Camera 21.5" Monitor	VM-300 1000X Coaxial Illumination Video Microscope Electronic Magnification						Remark
1X Adapter	0.7X	1X	2X	3X	4X	4.5X	
Auxiliary objective 0.5X WD:108mm	8X	11.5X	23X	34.5X	46X	51.5X	Opt.
Auxiliary objective 1.0X WD:91mm	16X	23X	46X	69X	92X	103X	Std.
Auxiliary objective 2.0X WD:35.3mm	32X	46X	92X	138X	184X	206X	Opt.
Auxiliary objective 10X APO WD:35mm	160X	230X	460X	390X	920X	1030X	Std.



**Auto Focus Video Microscope**  
**VM-500**



Auto  
Focus



21.5"  
HDMI LCD



2MP CMOS  
Color Camera

### + Characteristic

- Integral design, exquisite, fashion, generous;
- Built-in FULL HD sensor and VGA integrated camera, can directly connect with the monitor to realize video image and can also use SD card to take picture or record video, which integrate video observation and image storage;
- With high definition 0.7~4.5X parallel continue zoom lens, it is more convenient and fast to switch objective magnification;
- With adjustable LED surface reflection illumination, is able to control brightness independently;
- With 2 million pixel auto focus camera, no need to waste time for manual focus frequently.

### + Specifications

Product Name	Auto Focus Video Microscope
Model	VM-500
Code#	451-450
Electronic Magnification	33.47X~215.19X( HDMI 16:9 21.5" Monitor )
Optical Objective	0.7X~4.5X zoom lens
	Zoom ratio 6.5:1
Camera Parameter	0.5X C-mount Camera Adapter
	2 million pixel (1920*1080)
	Image Size : 1/2.8"
Camera Function	Frames Per Second : 30fps
	Auto Focus
	Photograph and Video Record
	HDMI Output
Illumination	White Balance; Brightness Control; Digital Noise Reduction
	Surface: Adjustable LED Surface Illumination
Microscope Stand	Ring Fiber Illumination Optional
Electrical Parameters	Z-axis Travel : 100mm;Coarse Lifting System
Dimension	AC90~240V ; 50~60HZ
Weight	310*285*500 mm
	6.0Kg

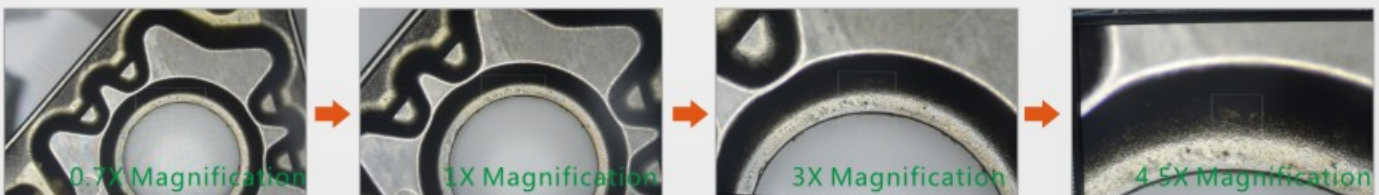
### Partial Display



### + Field of View

Auxiliary objective	Field of view (0.5X Camera Adapter)																		Remark
	0.7X			1X			2X			3X			4X			4.5X			
	Length	Width	Diagonal	Length	Width	Diagonal	Length	Width	Diagonal	Length	Width	Diagonal	Length	Width	Diagonal	Length	Width	Diagonal	
0.5X WD:108mm	Magnification 0.18X-1.12X																		Opt.
1.0X WD:91mm	Magnification 0.35X-2.25X																		
2.0X WD:35.3mm	Magnification 0.70X-4.50X																		Opt.
	25.29	22.86	34.09	17.70	16.00	23.86	8.85	8.00	11.93	5.90	5.33	7.95	4.43	4.00	5.97	3.93	3.56	5.30	
	12.64	11.43	17.04	8.85	8.00	11.93	4.43	4.00	5.97	2.95	2.67	3.98	2.21	2.00	2.98	1.97	1.78	2.65	
	6.32	5.71	8.52	4.43	4.00	5.97	2.21	2.00	2.98	1.48	1.33	1.99	1.11	1.00	1.49	0.98	0.89	1.33	

### Image



**Contact us for brand new, refurbished or used SINOWON Equipment**



AGS-TECH Inc.

Phone: +1-505-550-6501 and +1-505-565-5102 Fax: +1-505-814-5778

Email: [sales@agstech.net](mailto:sales@agstech.net)

Web: <http://www.agstech.net>