

Palletizing robot workstation



AGS-TECH Inc.
Phone: +1-505-550-6501 and +1-505-565-5102
Fax: +1-505-814-5778
Email: sales@agstech.net
Web: <http://www.agstech.net>

Flexible deployment

Quick installation, convenient mobility, and quick switching between multiple scenarios; Integrated design with small footprint.

Widely used

Widely used in fast moving consumer goods (care products, brand packaging, food, beverage, tobacco and wine), medicine, 3C and other industries.

Easy to use

Visual programming; ordinary employees can master programming within 1 hour; standardized palletizing procedures, only four steps to complete the new task program settings.

Value investment

The average payback is 6-12 months; its rapid deployment and multi-scenario application features can easily switch between multi-category products and off-peak seasons, freeing employees from heavy handling work and improving the intelligence of the factory.



High compatibility

- Large reach, can cover a variety of pallet sizes.
- Multiple product stack types can be accommodated by simply creating a single program.

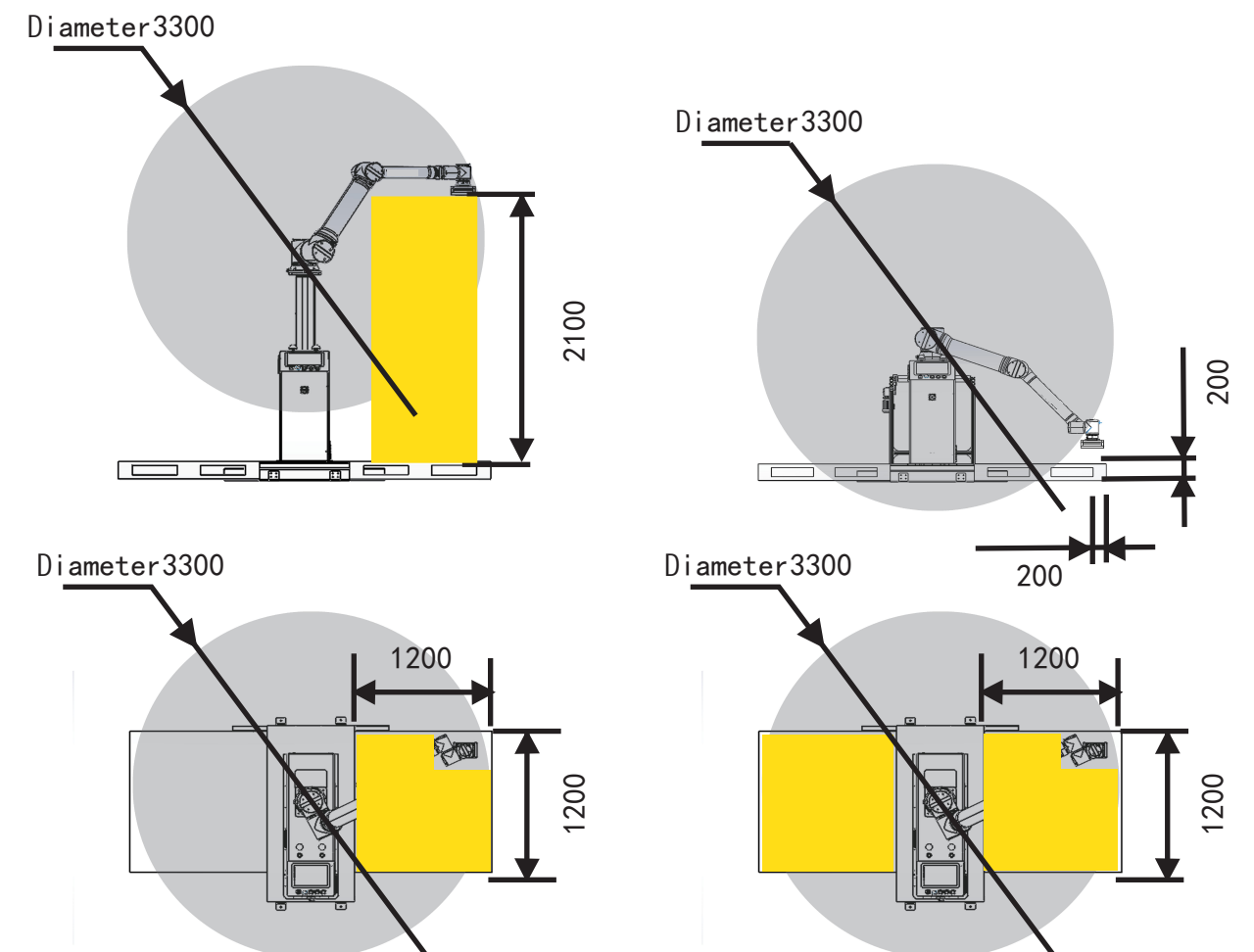
Operability

- Easy palletizing in four steps
 - 1、Set box size
 - 2、Set pallet size
 - 3、Set stacking style
 - 4、Incoming material position setting

TPW 20 Parameters

Model	TPW 20
Payload	20kg
Working radius	1650mm
Maximum tray size	1200*1200
Stacking height	2100mm
Palletizing speed	8-10 boxes/min
Rated voltage	Single-phase 220V
Working air pressure	>0.5Mpa
IP rating	IP54

Travel Range



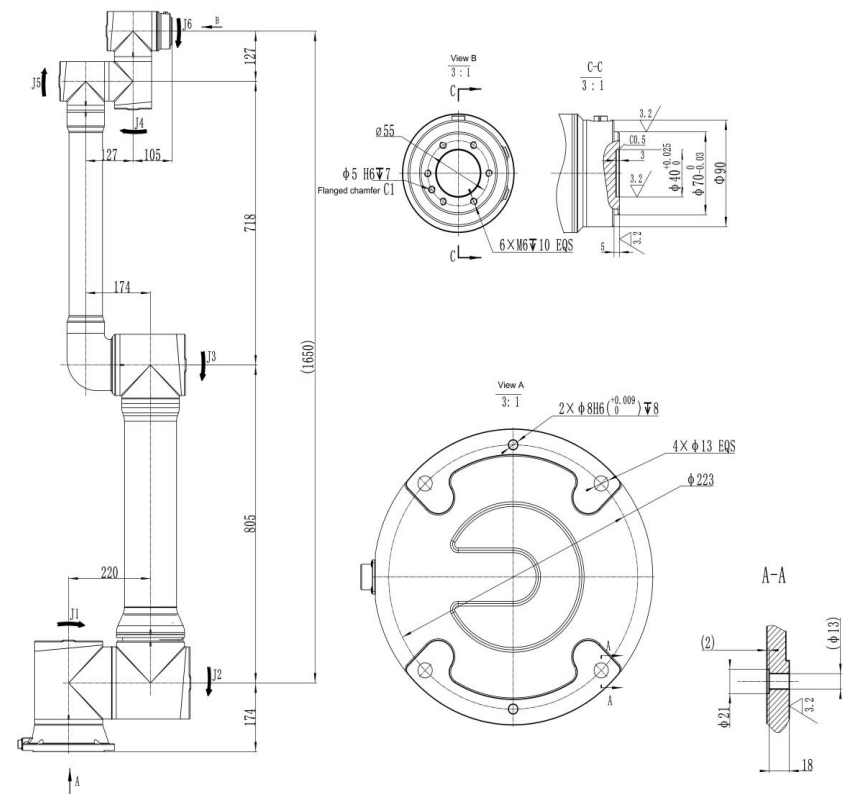
TCR 200 Parameters

Model	TCR200	
Payload	20kg	
Maximum Working Range	1650mm	
Body Weight	68kg	
Rated Power	3.9kw	
Max Speed	J1	100°/s
	J2	100°/s
	J3	150°/s
	J4	180°/s
	J5	180°/s
	J6	180°/s
Max Operation Area	J1	±175°
	J2	±175°
	J3	-245°~+65°
	J4	±175°
	J5	±175°
	J6	±360°
Protection Rating	IP54	
Position Repeatability ※	±0.1mm	
Working Temperature	0~45°C	



※This precision applies to the Intelligence series.

Working Range



TCR 300 Parameters

Model	TCR300	
Payload	30kg	
Maximum Working Range	1800mm	
Body Weight	154kg	
Rated Power	5.95kw	
Max Speed	J1	100°/s
	J2	100°/s
	J3	150°/s
	J4	180°/s
	J5	180°/s
	J6	180°/s
Max Operation Area	J1	±175°
	J2	±175°
	J3	-245°~+65°
	J4	±175°
	J5	±175°
	J6	±360°
Protection Rating	IP54/IP67	
Position Repeatability ※	±0.06mm	
Working Temperature	0~45°C	
Control Cabinet	TRC-B06	



※This precision applies to the Intelligence series.

Working Range

