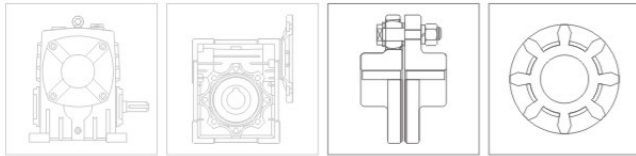




AGS-TECH Inc.
 Phone: +1-505-550-6501 and +1-505-565-5102
 Fax: +1-505-814-5778
 Email: sales@agstech.net
 Web: http://www.agstech.net



COUPLINGS

FCL系列弹性套柱销联轴器 FCL Series Flexible Couplings

产品说明 Products Introduction	P91
型号及标记 Model & Marker	P91
外形尺寸参数 Size chart & Parameter	P91

FL 系列凸爪式弹性联轴器 FL Series Jaw Flexible Couplings

产品说明 Products Introduction	P92
型号及标记 Model & Marker	P92
性能参数表 Performance parameters	P92-93

FCL系列弹性套柱销联轴器 FCL Series Flexible Couplings

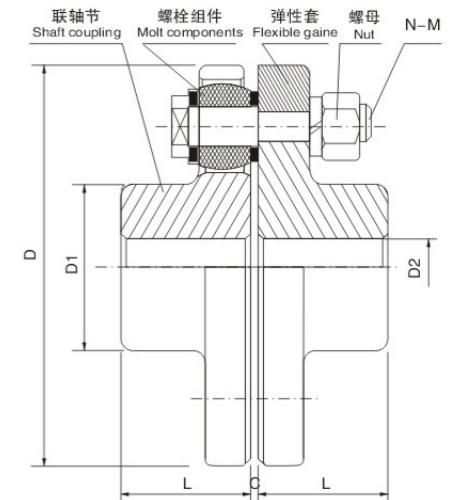
1. 产品说明 Products Introduction

FCL型弹性套柱销联轴器的特点是结构简单，安装方便，更换容易，尺寸小，重量轻，因而得到广泛使用，如若安装调整后能保持两轴相对位移量在规定的范围内，则联轴器会有满意的使用性能和较长的工作寿命。因此能广泛用于载荷不大，由电动机驱动的各种中、小功率传动轴系中，如减速机、起重机、压缩机、输送机、纺织机、卷扬机、球磨机等。

弹性套柱销联轴器的许用相对位移：
 径向位移：0.2~0.6mm；角位移：0° 30' ~1° 30'

Flexible Couplings Model FCL is widely used for its compact designing, easy installation, convenient maintenance, small size and light weight. As long as the relative displacement between shafts is kept within the specified tolerance, B couplings will operate the best function and have a longer working life. Thus it is greatly demanded in medium and minor power transmission systems driven by motors, such as speed reducers, hoists, compressor, conveyers, spinning and weaving machines and ball mills.

Permit table relative displacement:
 Radial displacement: 0.2~0.6mm; Angle displacement: 0° 30' ~1° 30'



2. 型号及标记 Model & Marker

FCL 160

最大外径 MaxImun Dlanmeler
 弹性套柱销联轴器 Flexible Couplings

3. 外形尺寸参数 Size chart & Parameter

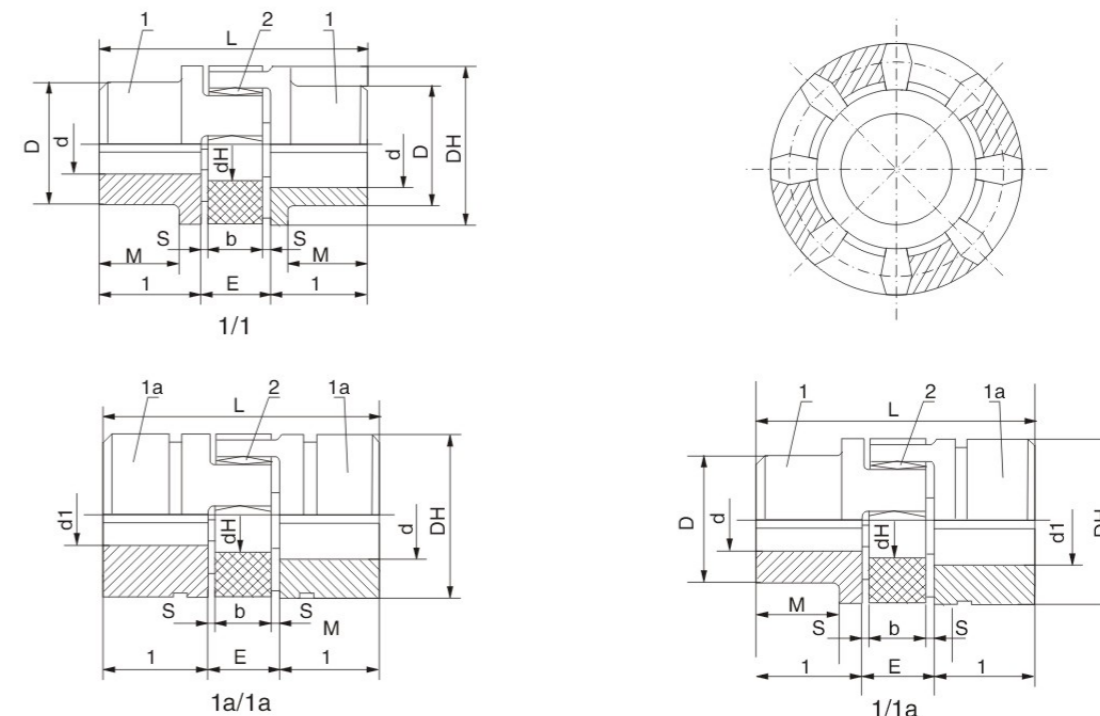
型号 Size	许用转矩 Max torque N·m	许用转速 Max speed r/min	D	D1	D2	L	C	n-M	重量 (Kg)
FCL90	4	4000	90	36	11	28	3	4-M8X50	1.8
FCL100	10	4000	100	40	11	35.5	3	4-M10X56	2.3
FCL112	16	4000	112	46	13	40	3	4-M10X56	3.0
FCL125	25	4000	125	50	13	45	3	4-M12X64	4.0
FCL140	50	4000	140	65	13	50	3	6-M12X64	5.5
FCL160	110	4000	160	80	15	56	3	8-M12X64	8.0
FCL180	157	3500	180	90	15	63	3	8-M12X64	10.5
FCL200	245	3200	200	100	21	71	4	8-M20X85	16.2
FCL224	392	2850	224	115	21	80	4	8-M20X85	22
FCL250	618	2550	250	135	25	90	4	8-M24X100	32
FCL280	980	2300	280	140	34	100	4	8-M24X116	44.0
FCL315	1568	2050	315	160	41	112	4	10-M24X116	58
FCL355	2450	1800	355	180	60	125	5	8-M30X150	90
FCL400	3920	1600	400	200	60	125	5	10-M30X150	113
FCL450	6174	1400	450	224	65	140	5	12-M30X150	145
FCL560	9800	1150	560	250	85	160	5	14-M30X150	229
FCL630	15680	1000	630	280	95	180	5	18-M30X150	296

FL 系列凸爪式弹性联轴器 FL Series Jaw Flexible Couplings

1. 产品说明 Products Introduction

- 1). 适用于所有类型的机械和液压转动;
- 2). 体积小, 传递力矩大;
- 3). 轴向插入, 易安装, 免维护;
- 4). 能平衡轴的轴向、径向和角度的相对位移;
- 5). 内孔尺寸d、d1可根据顾客要求制作;
- 6). 适用温度为-40℃ ~ +100℃, 最高瞬时温度可达120℃.

- 1). Applicable to all types of machinery and hydraulics.
- 2). Small volume and large transmitted torque.
- 3). To be plugged in axially, easy assembly, maintenance-free.
- 4). Balancing axial, radial and angular misalignment.
- 5). Dimensions of bore d、d1 available on customer, request.
- 6). Applicable from -40℃ to +100℃, temperature peaks up to 120℃.



2. 型号及标记 Model & Marker

FL 9/24 (1a/1a)

类别 Style

两端的最大加工孔径 dmax/d1max

凸爪式弹性联轴器 Jaw Flexible Couplings

3. 性能参数表 Performance parameters

型号 Size	许用转速 Max speed r/min	额定功率 Rated power (n=150r/min) kw	额定转矩 Rated torque N·m	最大转矩 Max.torgue N·m	许用扭转角度 Max.torsion angle	
FL9	28000	0.28	1.8	3.5	6.4°	
FL14	19000	0.62	4.0	8.0		
FL19	FL19/24	14000	0.77	4.9		3.2°
FL24	FL24/28	10600	2.67	17		
FL28	FL38/38	8500	7.22	46	92	
FL38	FL38/45	7100	14.6	93	185	
FL42	FL42/55	6000	20.4	130	260	
FL48	FL48/60	5600	23.6	150	300	
FL55	FL55/70	4750	28.3	180	360	
FL65	FL65/75	250	32.2	205	410	
FL75	FL75/90	3550	74.6	475	950	
FL90	FL90/100	2800	184	1175	2350	

型号 Size	类别 Style	预留孔 Prebored	形式 Form				尺寸 Dimensions(mm)										最小重量 Min.Weight (kg)
			1		1a		1	E	S	b	L	M	DH	D	dH		
			d	d1	min	max										min	
铝合金 Aluminium Diecasting(AI-D)																	
FL9	1a/1a			4	9	10	10	1.0	8	30			20		6	0.017	
FL14	1a/1a			4	16	11	13	1.5	10	35			30		10	0.048	
钢或球墨铸铁 Steel-Nodular Iron																	
钢 Steel																	
FL19/24	1a/1a			6	24	25	16	2.0	12	33			40		18	0.328	
FL24/28	1a/1a			8	28	30	18	2.0	14	78			55		27	0.660	
FL28/38	1a/1a			10	38	35	20	2.5	15	90			65		30	1.160	
FL38/45	1a/1a	11	12	38	38	45	45	24	3.0	18	114	37	80	66	38	2.27	
FL42/55	1a/1a	13	14	42	42	55	50	26	3.0	20	126	40	95	75	46	3.57	
FL48/60	1a/1a	14	15	48	48	60	56	28	3.5	21	140	45	105	85	51	4.80	
FL55/70	1a/1a	18	20	55	55	70	65	30	4.0	22	160	52	120	98	60	7.37	
FL65/75	1a/1a	20	22	65	65	75	75	35	4.5	26	185	61	135	115	68	10.89	
FL75/90	1a/1a	28	30	75	75	90	85	40	5.0	30	210	69	160	135	80	17.73	
FL90/100	1a/1a	38	40	90	90	100	100	45	5.5	34	245	81	200	160	100	29.6	
FL38	1/1	11	12	38			45	24	3.0	18	114	37	80	66	38	2.080	
FL42	1/1	13	14	42			50	26	3.0	20	126	40	95	75	46	3.210	
FL48	1/1	14	15	48			56	28	3.5	21	140	45	105	85	51	4.410	
FL55	1/1	18	20	55			65	30	4.0	22	160	52	120	98	60	6.640	
FL65	1/1	20	22	65			75	35	4.5	26	185	61	135	115	68	10.130	
FL75	1/1	28	30	75			85	40	5.0	30	210	69	160	135	80	16.030	
FL90	1/1	38	40	90			100	45	5.5	34	245	81	200	160	100	27.50	