



ALUMINIUM ENCLOSURES II



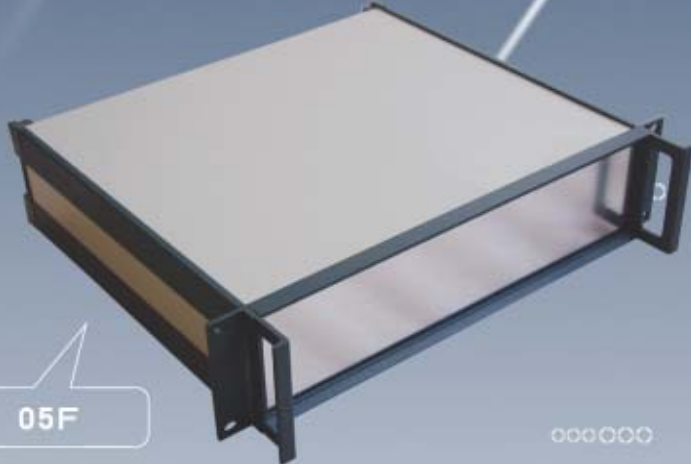
05D



05E



05D



05F



05G

05 Instrument case system V

Available size

Height/Width/Depth Chart of 05D,05E,05F,05G

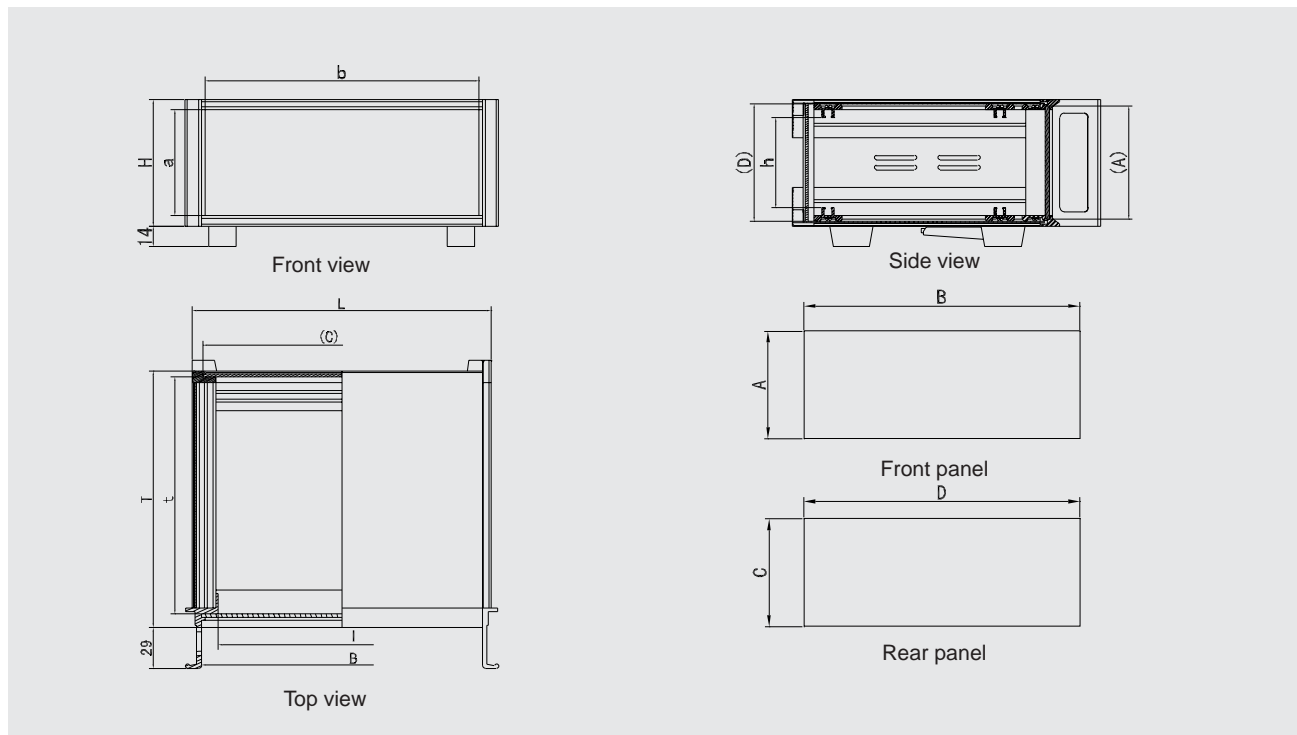
Exterior size			Interior size			Front panel				Rear panel	
Overall height	Overall width	Overall depth	Inside height	Inside width	Inside depth	Blank size		Useable size		Blank size	
H(mm)	L(mm)	T(mm)	h(mm)	l(mm)	t(mm)	B(mm)	A(mm)	b(mm)	a(mm)	D(mm)	C(mm)
90	200	160	64	163	146	187	80	182	75	185	83
100	240	200	74	203	186	227	90	222	85	225	93
100	280	240	74	243	226	267	90	262	85	265	93
100	320	280	74	283	266	307	90	302	85	305	93
120	240	240	94	203	226	227	110	222	105	225	113
120	280	280	94	243	266	267	110	262	105	265	113
120	320	320	94	283	306	307	110	302	105	305	113
140	280	280	114	243	266	267	130	262	125	265	133
140	320	320	114	283	306	307	130	302	125	305	133
140	360	360	114	323	346	347	130	342	125	345	133
160	320	320	134	283	306	307	150	302	145	305	153
160	360	360	134	323	346	347	150	342	145	345	153
160	400	400	134	363	386	387	150	382	145	385	153
180	360	360	154	323	346	347	170	342	165	345	173
180	400	400	154	363	386	387	170	382	165	385	173
180	440	440	154	403	426	427	170	422	165	425	173

Note: Custom overall height, overall width and overall depth available upon request

The dimensions shown in the table are only for reference (may exist $\pm 0.5\text{mm}$ dimensions variation)

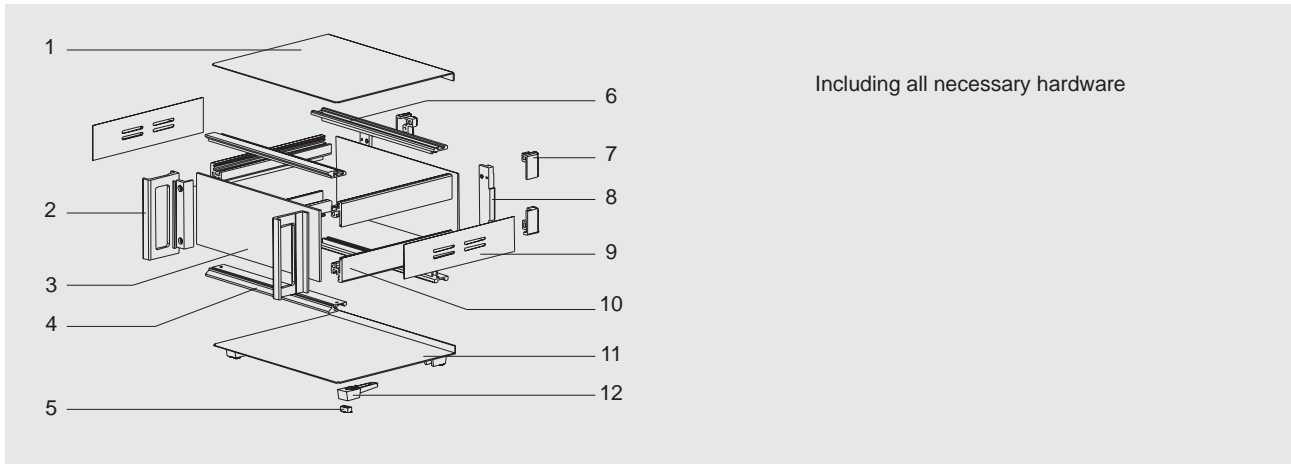
Refer to the following drawing for the definition of enclosure size

Drawing



Standard delivery

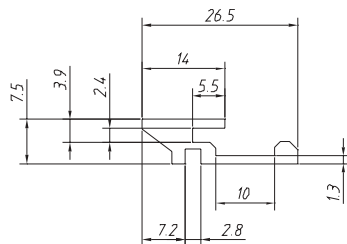
For 05D/05E/05F/05G



ITEM	PART	QTY	DESCRIPTION
1	Top cover	1	0.8mm Aluminium sheet or steel sheet, spary plastic
2	Handle/front trim	2	Aluminium extrusion, spary plastic
3	Front/rear panel	2	2mm Aluminium sheet
4	Front horizontal rail	2	Aluminium extrusion, spary plastic
5	Anti-slip insert	4	Moulded in rubber-plastic
6	Rear horizontal rail	2	Aluminium extrusion, clear anodized
7	Rear feet	4	Moulded in PC
8	Rear trim	2	Aluminium extrusion, clear anodized
9	Side panel	2	0.8mm Aluminium sheet or steel sheet, spary plastic
10	Side rail	4	Aluminium extrusion, spary plastic
11	Bottom cover	1	0.8mm aluminium or steel sheet, spary plastic, with vent holes for standard delivery
12	Bottom feet	4	Moulded in PC

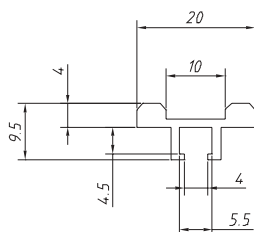
Standard parts

Front horizontal rail



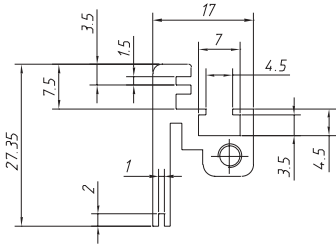
- Material: Aluminum extrusion
- Spary plastic

Rear horizontal rail



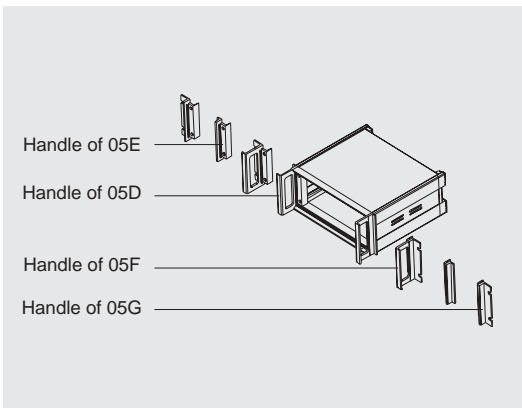
- Material: Aluminum extrusion
- Clear anodized
- Slide nuts can be inserted into the
- "T" guide
- Can be used as additional rail to strengthen enclosure

Side rail



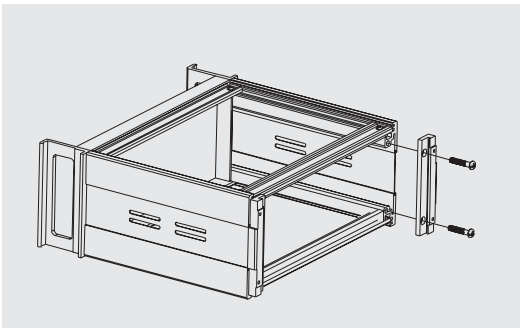
- Material: Aluminum extrusion
- Spary plastic
- Slide nuts can be inserted into the "T" guide

Handle/front trim



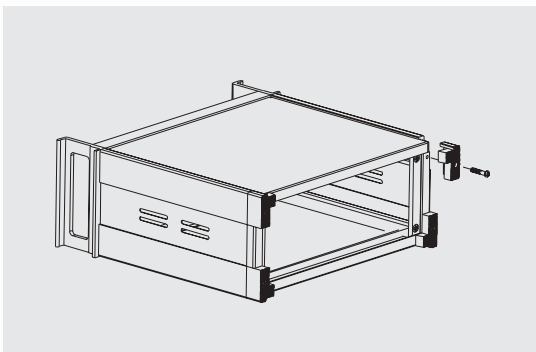
- Material: Aluminum extrusion
- Spary plastic
- choice of four types of handles
- With mounting flange for 05F and 05G
- View the below illustrative chart to check the corresponding model of enclosures for different handles

Rear trim



- Material: Aluminum extrusion
- Clear anodized

Rear feer

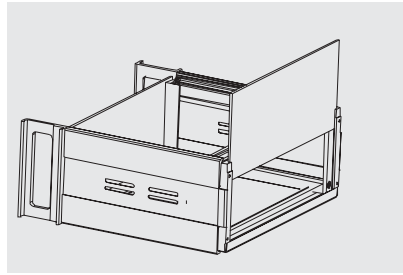
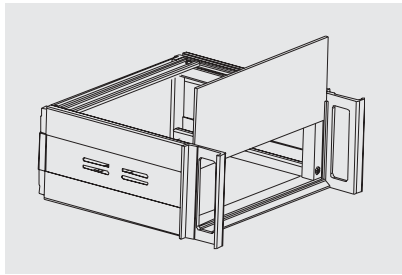


- Moulded in PC
- Anti-slip

Botton feet

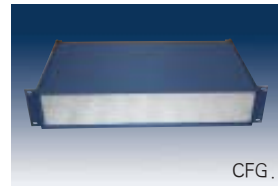
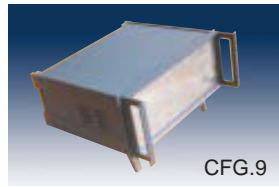
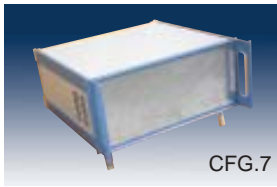
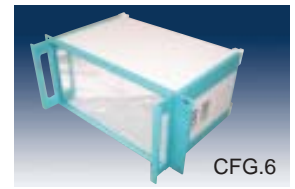
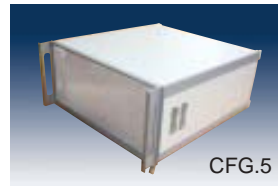
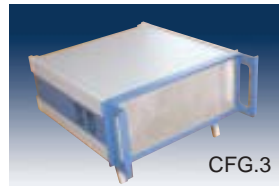
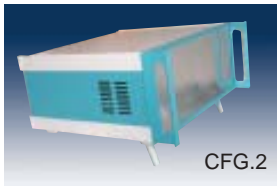
Please refer to the details of 01A for the bottom feet of 05 series

Front/rear panel



- Material: 2mm Aluminum sheet
- Screwless mounting
- Cut-outs available

Colors configuration



CFG.	Handle & Side panel	Side rail	Front rail	Covers
1	Mid-gray	Gray-white	Mid-gray	Gray-white
2	Green	Gray-white	Green	Gray-white
3	Blue	Gray-white	Blue	Gray-white
4	Thick-gray	Gray-white	Thick-gray	Gray-white
5	Mid-gray	Mid-gray	Mid-gray	Gray-white
6	Green	Green	Green	Gray-white
7	Bllue	Bllue	Bllue	Gray-white
8	Thick-gray	Thick-gray	Thick-gray	Gray-white
9	Thick-gray	Thick-gray	Thick-gray	Thick-gray
10	Gray-blue	Gray-blue	Gray-blue	Gray-blue
11	Gray-white	Gray-white	Gray-white	Gray-white
12	Mid-gray	Mid-gray	Mid-gray	Mid-gray

How to order

Ordering the enclosures is very simple. You only need to tell us the following:

1. Model of the enclosure
2. Height of the enclosure
3. Overall width of the enclosure
4. The depth of your desired enclosure
5. The colors configuration of the enclosure
6. Providing us with the drawing if you require secondary tooling or other cut-outs

Example: Model: 05D

Enclosure size: 140 × 320mm × 320mm

Colors: CFG.3