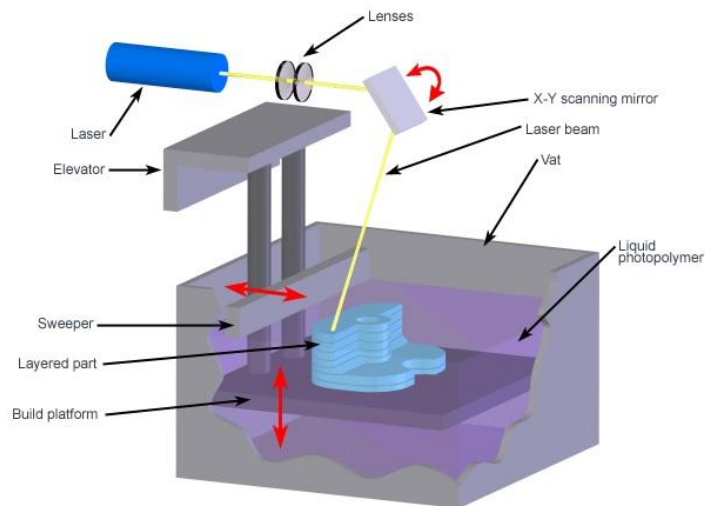




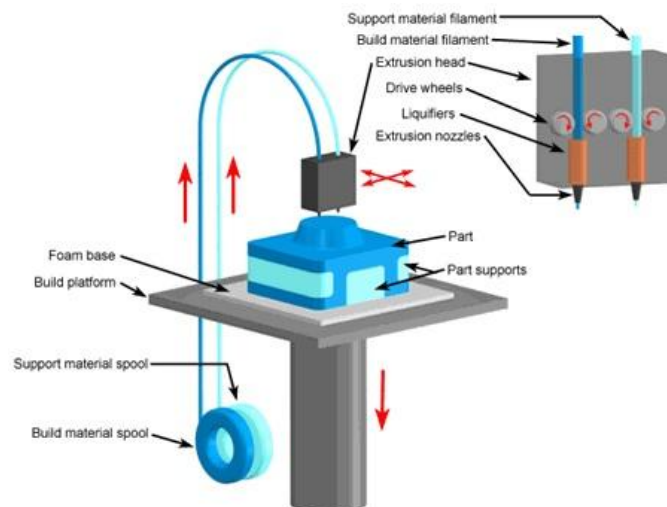
AGS-TECH Inc., Tel: 505-550-6501 and 505-565-5102, Fax: 505-814-5778,

Email: [sales@agstech.net](mailto:sales@agstech.net), Web: <http://www.agstech.net>

### STEREOLITHOGRAPHY (SLA):

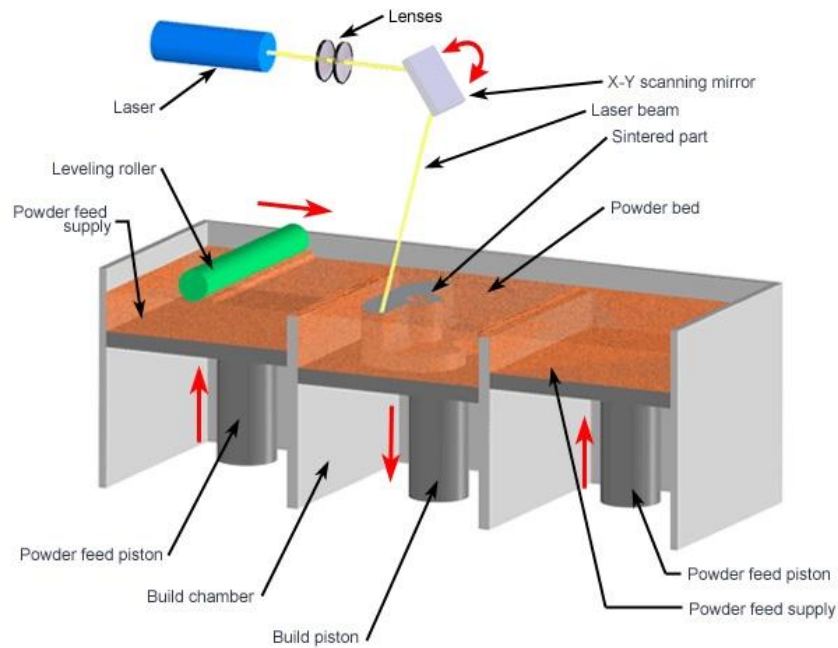


### FUSED DEPOSITION MODELING (FDM):

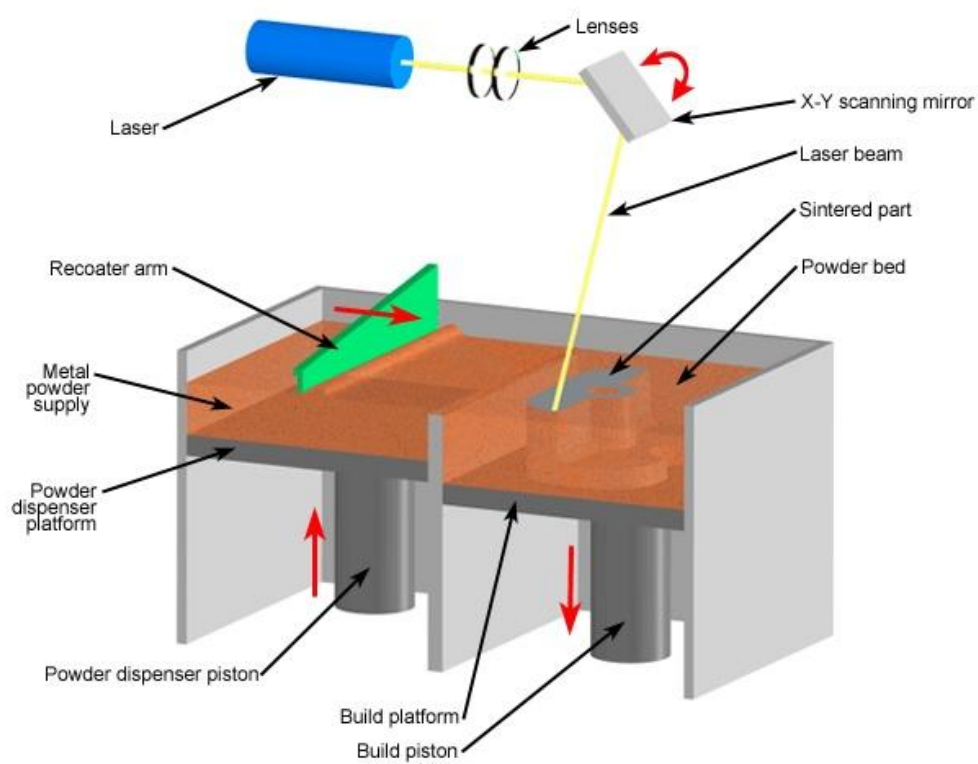


AGS-TECH Inc., Tel: 505-550-6501 and 505-565-5102, Fax: 505-814-5778, Email: [sales@agstech.net](mailto:sales@agstech.net), Web: <http://www.agstech.net>

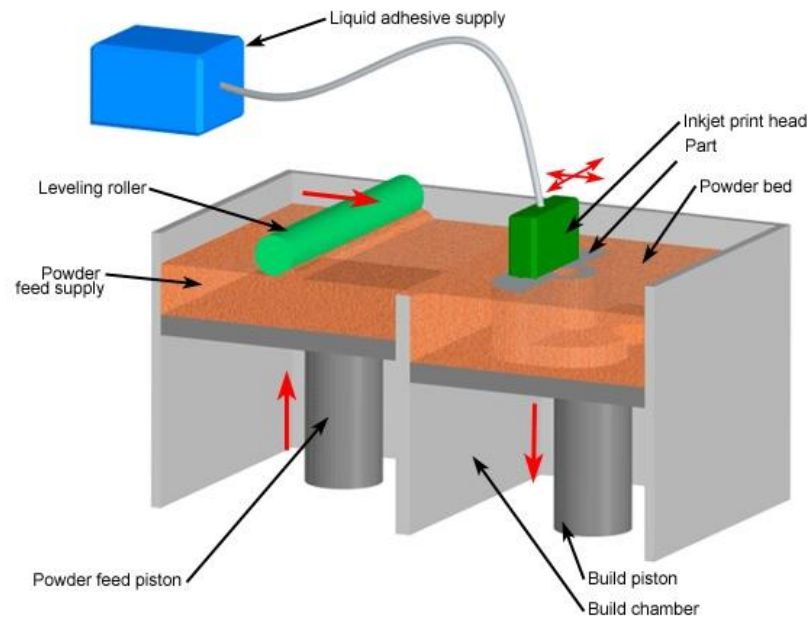
## Selective Laser Sintering (SLS):



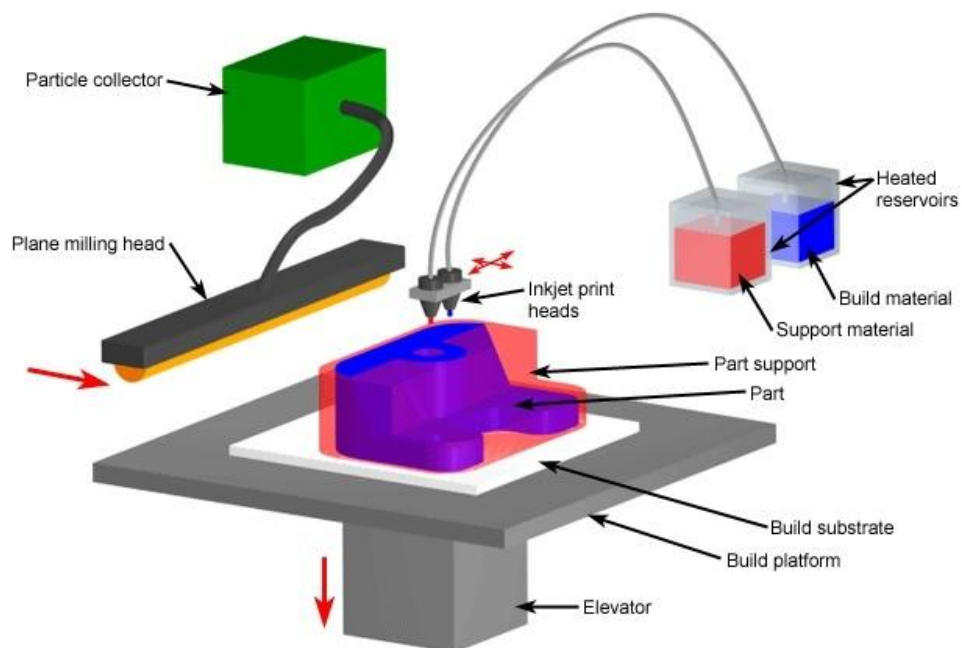
## Direct Metal Laser Sintering (DMLS):



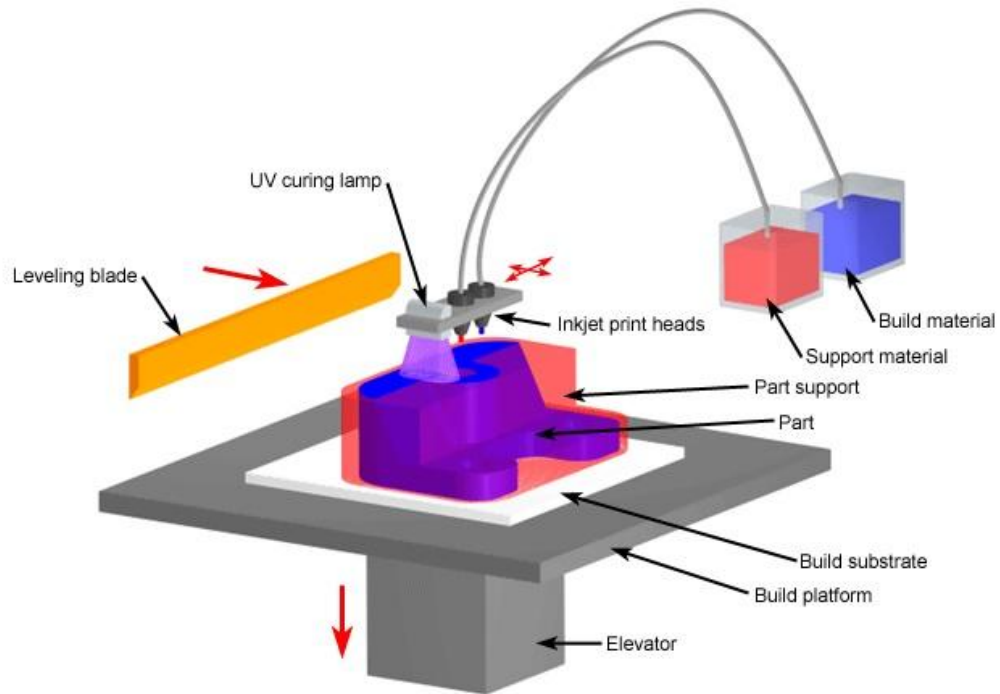
## Three Dimensional Printing (3DP):



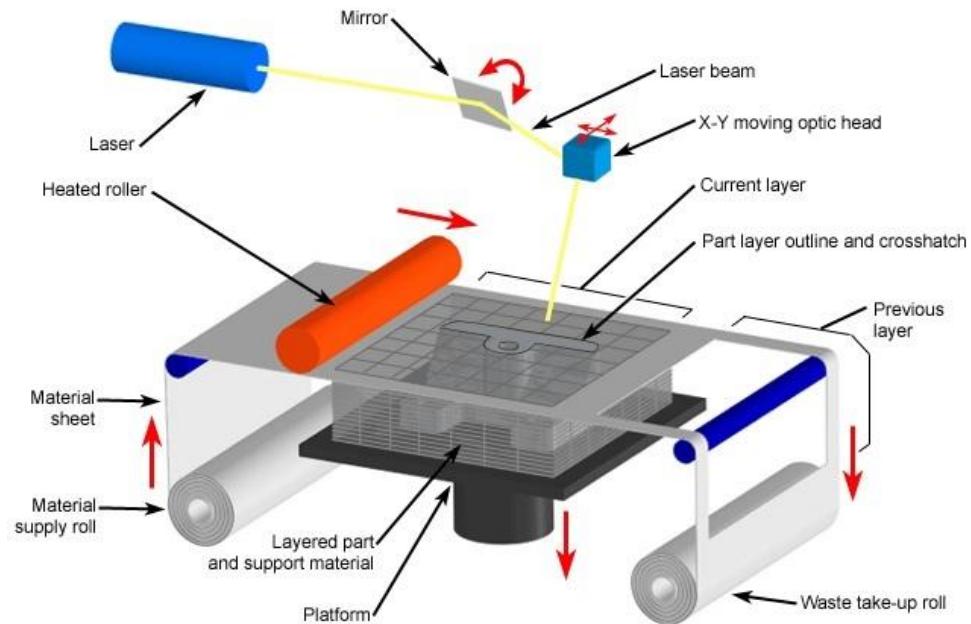
## Inkjet Printing:

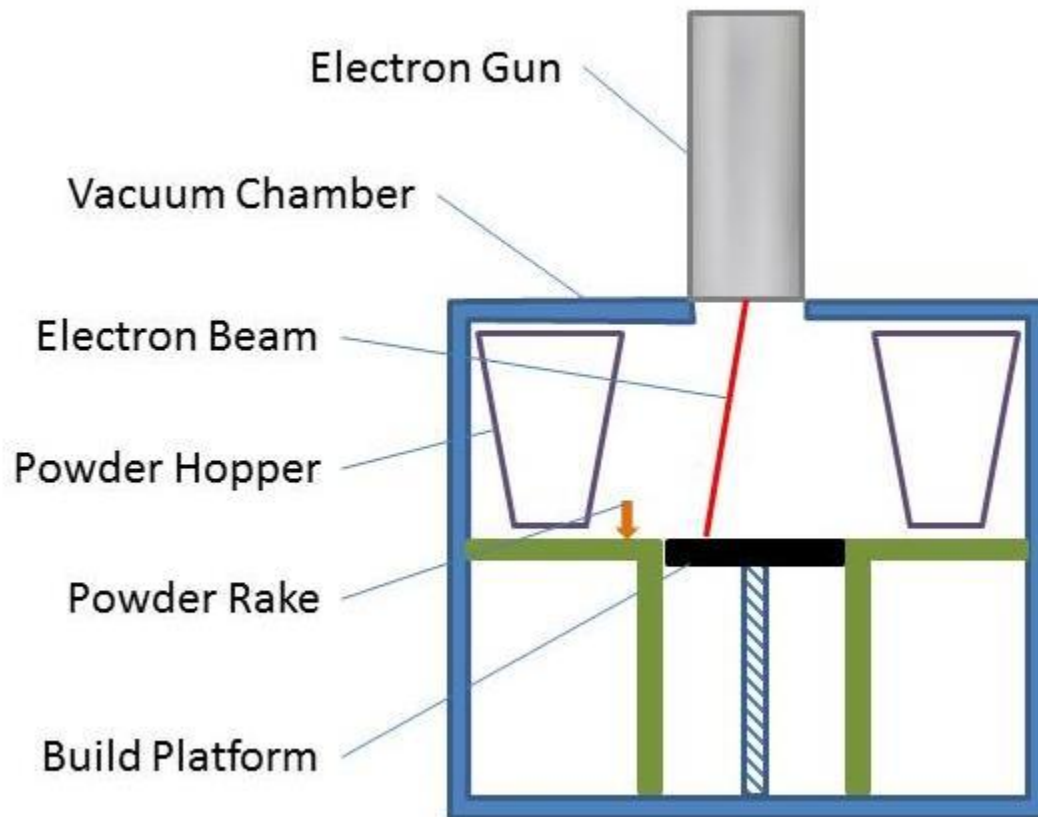


## Jetted Photopolymer:



## Laminated Object Manufacturing (LOM):



**ELECTRON-BEAM MELTING:**

Rapid prototyped balls. Note there is an identical ball inside of the large ball.



Below is a medical implant manufactured by Electron Beam Manufacturing





## URETHANE CASTING:





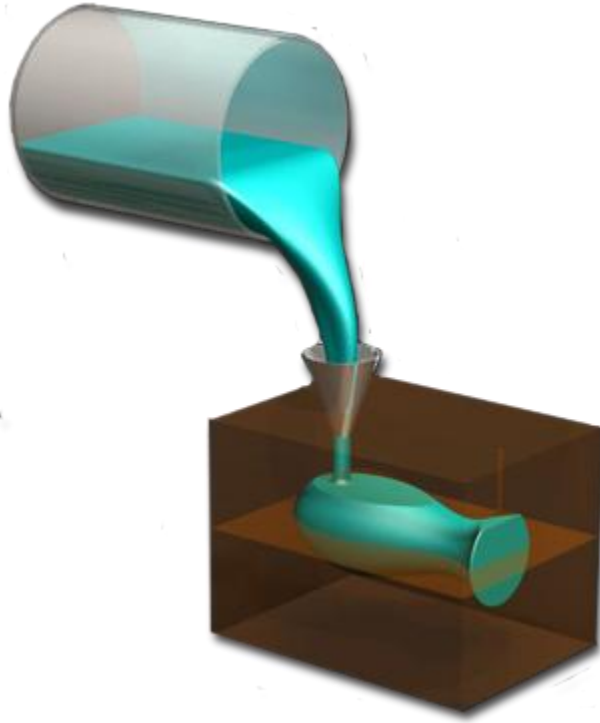








**Urethane Castings are sometimes made using two mold halves:**



**THE KEELTOOL PROCESS:**