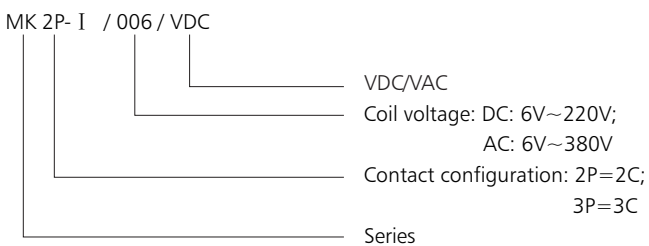


MK Miniature power relay

1. Features

- 1.1 10A switching current
- 1.2 With indicator to be selected
- 1.3 Full range of AC and DC coil
- 1.4 Certificate: UL, CE

2. Ordering information



3. Contact specification

Contact Arrangement		2C, 3C
Initial contact resistance	mΩ	100
Contact material		Silver alloy
Contact load		10A/250VDC, 28VDC
Max. switching voltage	VAC	250
	VDC	125
Max. switching current	A	10
Max. switching capacity	VA	2500
	W	280
Electrical endurance	Cycles(× 10 ³)	100
Machanical endurance	Cycles(× 10 ⁶)	10

4. Coil specification

AC					DC				
Rated voltage	Holding voltage	Must drop-out voltage	Operating range	Power consumption	Rated voltage	Holding voltage	Must drop-out voltage	Operating range	Power consumption
6	80%Un	30%Un	(80%-110%) Un	3.5VA	6	75%Un	10%Un	(75%-110%) Un	2W
12					12				
24					24				
48					36				
110					48				
220					110				
380	220								

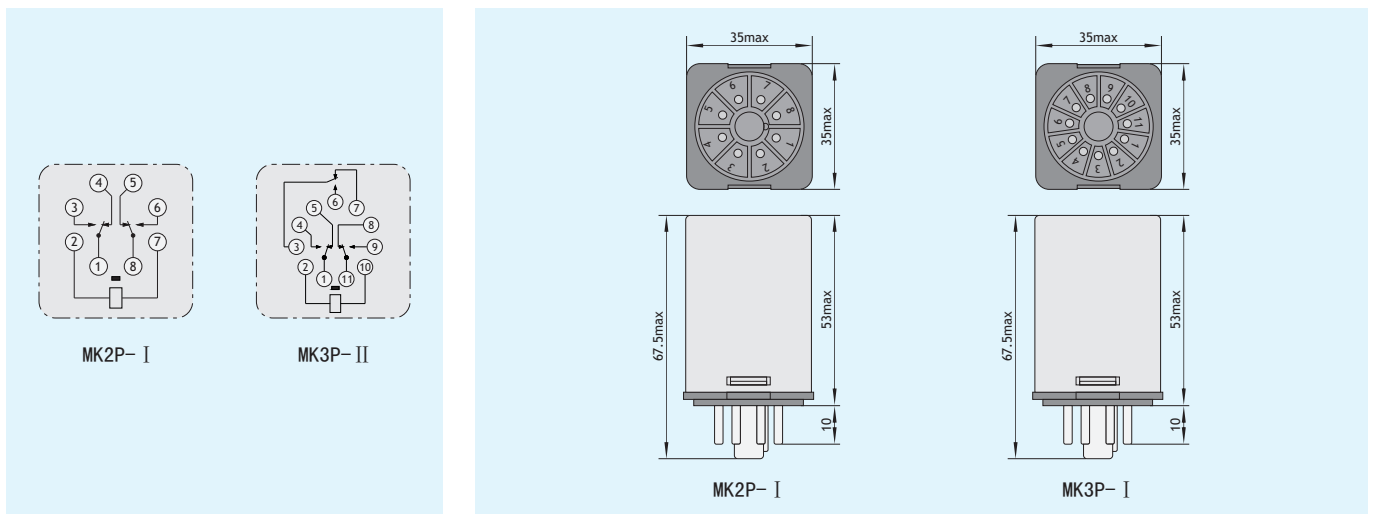
5. Characteristics

Insulation resistance(at 500VDC)		mΩ	100
Dielectric strength	Between coil & contacts		1500VAC for 1min
	Between open contacts		1000VAC for 1min
Operation time		ms	≤20
Release time		ms	≤20
Shock resistance		m/s ²	100
Vibration			10~55Hz,1mm double amplitude
Humidity			98% RH at +20℃
Ambient temperature range		℃	-40~+55
Termination			Plug-in
Dimension		mm	35×35×52

6. Overall mounting dimensions (mm)

Internal connections (bottom view)

Dimensions

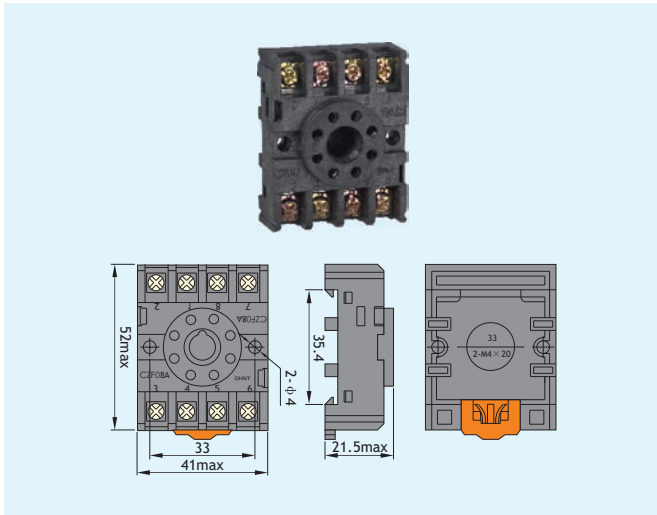


7. Socket

Socket for MK2P- I

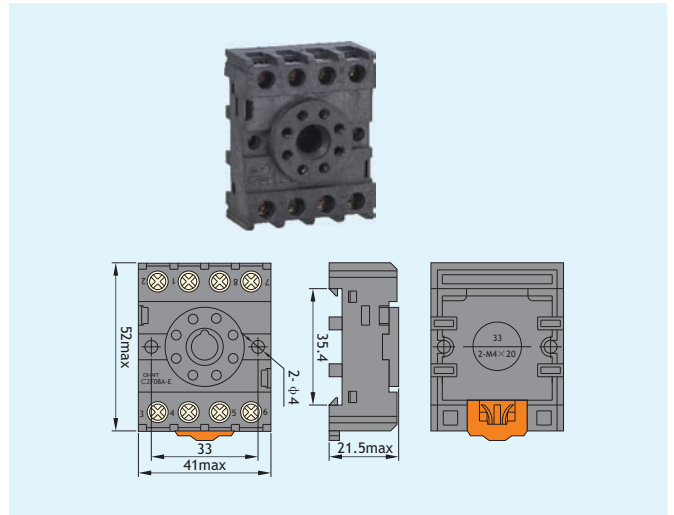
Dimensions: 52×41×21.5(mm)

CZF08A



Dimensions: 52×41×21.5(mm)

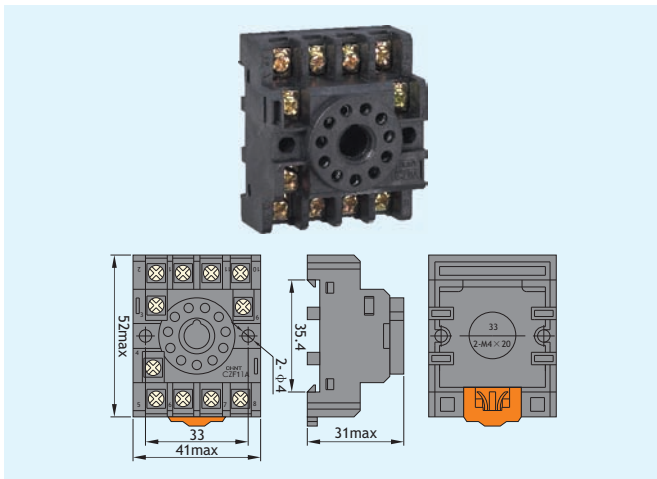
CZF08A-E
with finger proof



Socket for MK3P- I

Dimensions: 52×44×31(mm)

CZF11A



Dimensions: 52×44×31(mm)

CZF11A-E
with finger proof

