



Tel: 505-550-6501
Fax: 505-814-5778
Email: sales@agstech.net
Web: www.agstech.net

PRIVATE LABEL OPTION
OEM OPTION



A I R C O N T R O L

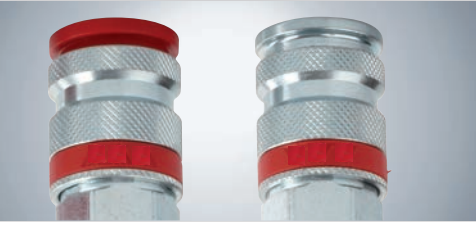
We can put your company name, brand....on these

PNEUMATIC COUPLINGS

QUICK RELEASE COUPLINGS AND PLUGS | MADE IN DENMARK



Quick release couplings



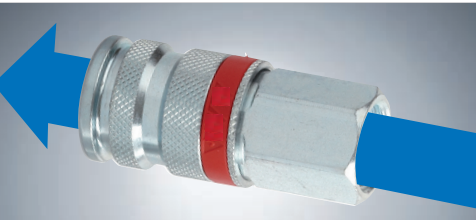
...are robust

Quick couplings are robust and impact-resistant and manufactured to last. All couplings are pressed together to prevent leaks.



...have a long life

Quick release couplings have proven their utility and durability.



...have a high airflow

Quick release Couplings are designed with an optimized valve system, that minimizes turbulence, creates maximum airflow and ensures a low pressure drop.



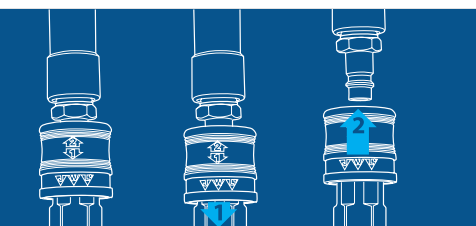
...low connection force

51x- & 57x series are with a user-friendly valve system that reduces the connection force by 50 % compared to conventional valve systems.



...are compatible

Plant produces quick release couplings with a wide range of profiles.



...are safe

We offer safety couplings with a 2-step release system.



...are economic

Quick release couplings are designed to prevent leaks which also means that the operational costs are reduced.

Couplings and nipples



PROFILE OVERVIEW

Find the profile that fits your need.

4



THE RIGHT CONNECTION

Choose the right connection to maximise your performance.

6



EURO-PROFILE COUPLINGS AND NIPPLES

Series 510, 520, 530, 540, 550, 560, 570

8



ISO 6150 B-PROFILE 1/4" (US-MIL-C-4109 1/4")

Couplings and nipples. Series 511, 521, 531, 571

10



ARO 210 PROFILE (ORION) COUPLINGS AND NIPPLES

Series 512, 522, 532, 572

12



TEMA 1300 PROFILE COUPLINGS AND NIPPLES

Series 514, 524, 534

14



QIC 10 PROFILE COUPLINGS AND NIPPLES

Series 515

16



ASIAN PROFILE COUPLINGS AND NIPPLES

Series 539

17



EURO XL PROFILE COUPLINGS AND NIPPLES

Series 600

18



TEMA 1800 PROFILE COUPLINGS AND NIPPLES

Series 604

19



ISO 6150 B-PROFILE 1/2" (US-MIL-C-4109 1/2")

Couplings and nipples. Series 691

20



QIC 15 PROFILE COUPLINGS AND NIPPLES

Series 695

21



ANTI WHIP NIPPLES

Whip and noise reducing safety nipples for hoses

22



TWIN COUPLINGS

With series 520 or 530 couplings and euro nipple

23

Profile overview

FIND THE COUPLING THAT FITS YOUR NEED



Standard	EURO	ISO 6150 B (US-MIL 1/4")	ARO 210 (Orion)	TEMA 1300	QIC 10	ASIAN (NITTO-KOHKI 200)
Flowdiameter (mm)	7.8	5.5	5.5	6.4	8	7.8
Our Series	510 520 530 540 550 560 570	511 521 531 571	512 522 532 572	514 524 534	515	539
AMFLO		C20B	C38			
ARO		102	210			
ATLAS COPCO	08E, 10E, 10SE	08S	08AR		10AC, 10, 10S	
CEJN	320, 321, 322	310	300	303	331	314, 315
EATON	24CC, Auto-Flo 24	1000, 3000, P30, Auto-Flo 23, Safe- line, MS	2CC, Auto-Flo 23, 210			
FOSTER		3303, 3-series	210			
GROMELLE (EATON)		600, 10600	GD16600			
HANSEN (EATON)	Auto-Flo 24	22, 3000, 1000, P-30, Auto-Flo 23, AUTO FLO 22, 30SVS, Safeline, MS 1/4", High-Flow 1/4", Quick-Air	AUTO FLO 23, AUTO FLO 20, 210-Series			CHS 03 F
INGERSOLL RAND	7S7	A2, MS, 102	210, AN6, AS6			
PARKER LEGRIS	94XXE07 25 / 26 Series, X25	94XXU06 23 / 24 Series	94XXA06 14 / 22 Series			
NITTO-KOHKI						200
NORDGREN	234, 238	237				
OETIKER	Series C	Series B1	Series A1			
ORION			44510, 44515			
PARKER HANNIFIN	RF25	20 (1/4"), 30 (1/4"), HF(1/4"), UC, B23	50, HA, UC, B53			
PCL	XF	ISO B12	Euro			KF
PREVOST	ESC07, ERC07, E07, ESI 07, ESI 07HE	ISI 06, ISC 06, IRC 06, IRM 06	ASI 06, ARC 06, ARM 06			OSG 08, ORG 08
RECTUS-TEMA	25, 26, 1600, 1625	23, 24, 1400, 1423	14, 22	31, 1300	33	13



EURO XL	TEMA 1800	ISO 6150 B (US-MIL 1/2")	QIC 15	Standard
10.4	11	11	11	Flowdiameter (mm)
600	604	691	695	Our Series
		C10		AMFLO
		104, 204		ARO
15E, 15SE		15US	15, 15S	ATLAS COPCO
410, 417	408	550	421	CEJN
		500, 5000, Full-Bore 1/2"		EATON
		5205, 5-series		FOSTER
		1300		GROMELLE (EATON)
		500, 5000, 50SVS High-Flow 1/2" Full-Bore 1/2"		HANSEN (EATON)
		A4, 104, 204		INGERSOLL RAND
27 Series X27				LEGRIS
				NITTO-KOHKI
				NORDGREN
		Series H / HB		OETIKER
				ORION
RF37, 55		17, 20 (1/2"), 30 (1/2"), HF(1/2")		PARKER
				PCL
ESI 11		ISI 11, ISG 11		PREVOST
27, 41, 1700, 1727	32, 1800	37	34	RECTUS-TEMA

Correct connections

CHOOSE THE RIGHT DIMENSION FOR MAXIMUM PERFORMANCE

In the following table, we outline the couplings and hose dimensions that best suit your requirements.

▼ Series	L/min. ▶	0 - 500 l/min.	500 - 1000 l/min.	1000 - 1500 l/min.
512, 522, 532, 572	ARO 210 (Orion)			
511, 521, 531, 571	ISO 6150 B (1/4")			
514, 524, 534	TEMA			
510, 520, 530, 540, 550, 560, 570	EURO			
515	QIC 10			
539	NITTO 200			
691, 695	ISO 6150 B (1/2") / QIC 15			
600, 604	EURO XL / TEMA XL			
Hose dimension				
ø 4 / ø 6 mm				
ø 5 / ø 8 mm				
ø 6.5 / ø 10 mm				
ø 9.5 / ø 13.5 mm				
ø 11 / ø 16 mm				
ø 13 / ø 18 mm				

Rivet gun 10 mm 300 l/min. (10.5 CFM)
 Blow gun 350 l/min. (12.5 CFM)
 Drilling machine up to 8 mm (5/16") 450 l/min. (16CFM)
 Paint spray gun 300 l/min. (10.5 CFM)
 Impact screw driver 1/4", 300 l/min. (10.5 CFM)

Drilling machine up to ø10 mm 3/8" 700 l/min. (24.5 CFM)
 Pneumatic File 300 W 600 l/min. (21 CFM)
 Pneumatic File 600 W 1000 l/min. (35.5 CFM)
 Chisel hammer IsoHex 17.3 mm (11/16") 800 l/min.

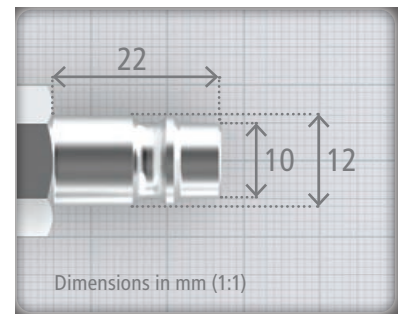
Drilling machine up to ø14 mm 5/9" 1300 l/min. (46 CFM)
 Pneumatic File 800 W 1250 l/min. (46 CFM)
 Pneumatic File 1500 W 1500 l/min. (53 CFM)
 Impact screw driver 1" 1200 l/min. (42.5 CFM)

Values given in the table are for guidance only. Flow is specified for an inlet pressure of 7 bar and a pressure drop of 0.5 bar.

Hose dimensions are for a straight 10-metre length of hose.

EURO-profile

SERIES 510 520 530 540 550 560 570



COMPATIBILITY:

Standard : EURO

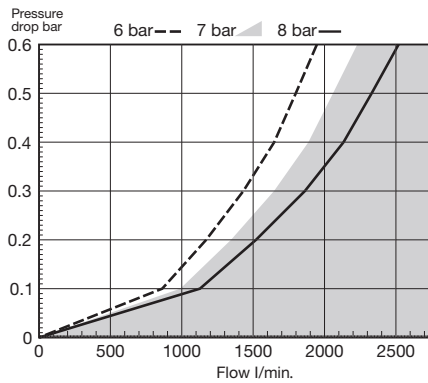
Flow diameter : 7.8 mm

Connectable with the following:

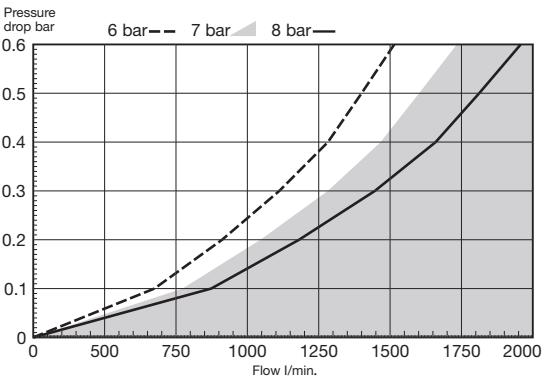
Cejn 320, Hansen Auto Flo 24, Proquix 1420 & 1421, Legris 94xx A, Oetiker SC Series C, Prevost ESC 07 / ERC 07, Rectus-Tema 25, 26 & 1600.

See the coupling overview.

Flowdiagram: Series 510, 520, 530, 540, 550, 560



Flowdiagram: Series 570



Thread seal tape (12 m x 12 mm x 0.075 mm). Thread seal tape can be applied for the sealing of all kinds of threaded joints. Recommended temperature range: -200 °C to +100 °C. Max pressure: 20 bar

Art.no.: 700210

The couplings and nipples with external thread can also be delivered with teflon.



	Series 510	Series 520
	Reduced connection force	Heavy Duty Low weight
Max. working pressure	-1 to 16 bar	35 bar
Burst pressure	140 bar	150 bar
Temperature range	-20 °C to +60 °C	-20 °C to +60 °C
Flow diameter	7.8 mm	7.8 mm
1/4" BSP internal thread	510-002000	520-002000
1/4" NPT internal thread	510-032000	520-032000
3/8" BSP internal thread	510-004000	520-004000
3/8" NPT internal thread	510-034000	520-034000
1/2" BSP internal thread	510-005000	520-005000
1/2" NPT internal thread	510-035000	520-035000
1/4" BSPT ext. thread	510-012000	520-012000
1/4" NPT ext. thread	510-042000	520-042000
3/8" BSPT ext. thread	510-014000	520-014000
3/8" NPT ext. thread	510-044000	520-044000
1/2" BSPT ext. thread	510-015000	520-015000
1/2" NPT ext. thread	510-045000	520-045000
1/4" (6 mm) hose con.	510-022000	520-022000
5/16" (8 mm) hose con.	510-023000	520-023000
3/8" (10 mm) hose con.	510-024000	520-024000
1/2" (13 mm) hose con.	510-025000	520-025000
PUR conn. ø5/ø8 mm	510-052000	520-052000
PUR conn. ø6.5/ø10 mm	510-054000	520-054000
PUR conn. ø8/ø12 mm	510-055000	520-055000
PUR conn. ø9.5/ø13.5 mm	510-056000	520-056000
Housing	Steel, el. galvanized	Steel, el. galvanized
Ball cage	Steel, el. galvanized	Acetal plastic
Valve	Brass	POM
Retaining ring	Hardened steel, el. galv.	Hardened steel, el. galv.
Guard ring	-	-
Balls	Hardened steel	Hardened steel
Seals	Nitrile rubber	Nitrile rubber
Springs	Stainless spring wire	Stainless spring wire

ADVANTAGES

Robust and impact-resistant couplings. All couplings are pressed together to prevent leaks. Low pressure drop thanks to optimized valve system. One-handed connection and release. Anti-whip nipples are available as accessories. The series 540 and 550 are made of stainless steel.

LOW CONNECTION FORCE

The series 510 and 570 are supplied with a user-friendly valve system that reduces the connection force by 50% compared to conventional valve systems currently available.

SAFETY COUPLING

The 570 series has a two-step release system.

HEAVY DUTY:

The series 520 and 530 are suitable for heavy-duty use.

VACUUM COUPLING

The seals/washers of the 510 and 560 series also make them suitable as vacuum couplings.



Series 530	Series 540	Series 550	Series 560	Series 570	Nipples	
Heavy Duty	Stainless steel 316	Stainless steel 316	Vacuum resistant up to 100%	Safety coupling Low connex. force	Hardened steel	Stainless steel 316
35 bar	35 bar	35 bar	-1 til 35 bar	16 bar		
150 bar	150 bar	150 bar	150 bar	150 bar		
-20 °C to +60 °C	-20 °C to +60 °C	-20 °C to +60 °C	-20 °C to +60 °C	-20 °C to +60 °C		
7.8 mm	7.8 mm	7.8 mm	7.8 mm	7.8 mm		

530-002000	540-002000	550-002000	560-002000	570-002000	520302	540302
530-032000	540-032000 *	550-032000 *	560-032000	570-032000	520332	540332*
530-004000	540-004000	550-004000	560-004000	570-004000	520304	540304
530-034000	540-034000 *	550-034000 *	560-034000	570-034000	520334	540334*
530-005000	540-005000	550-005000	560-005000	570-005000	520305	540305
530-035000	540-035000 *	550-035000 *	560-035000	570-035000	520335	540335*
530-012000	540-012000	550-012000	560-012000	570-012000	520312	540312
530-042000	540-042000 *	550-042000 *	560-042000	570-042000	520342	540342*
530-014000	540-014000	550-014000	560-014000	570-014000	520314	540314
530-044000	540-044000 *	550-044000 *	560-044000	570-044000	520344	540344*
530-015000	540-015000	550-015000	560-015000	570-015000	520315	540315
530-045000	540-045000 *	550-045000 *	560-045000	570-045000	520345	540345*
530-022000	540-022000	550-022000	560-022000	570-022000	520322	540322
530-023000	540-023000	550-023000	560-023000	570-023000	520323	540323
530-024000	540-024000	550-024000	560-024000	570-024000	520324	540324
530-025000	540-025000	550-025000	560-025000	570-025000	520325	540325
530-052000	-	-	560-052000	570-052000	520352	-
530-054000	-	-	560-054000	570-054000	520354	-
530-055000	-	-	560-055000	570-055000	520355	-
530-056000	-	-	560-056000	570-056000	520356	-

Steel, el. galvanized	Stainless steel 316	Stainless steel 316	Steel, el. galvanized	Steel, el. galvanized
Steel, el. galvanized	Stainless steel 316	POM	Acetal plastic	Brass, nickel plated
POM	Stainless steel 316	POM	Brass	Brass
Hardened steel, el. galv.	Stainless steel 316	Stainless steel 316	Hardened steel, el. galv.	Hardened steel, el. galv.
-	-	-	-	PA6
Hardened steel	Stainless steel 316	Stainless steel 316	Hardened steel	Hardened steel
Nitrile rubber	Nitrile rubber	Nitrile rubber	Nitrile rubber	Nitrile rubber
Stainless spring wire	Stainless	Stainless	Stainless spring wire	Stainless spring wire

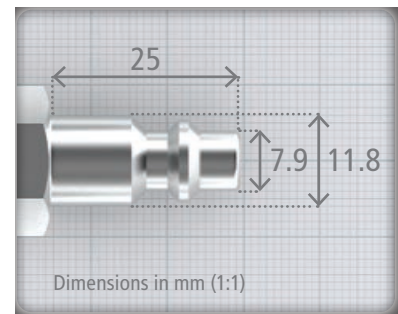
* On request



ISO 6150 B-profile (1/4")

(US-MIL-C-4109 1/4")

SERIES 511 521 531 571



COMPATIBILITY:

Standard : US-MIL-C 4109, 1/4", ISO-6150 B, 1/4"

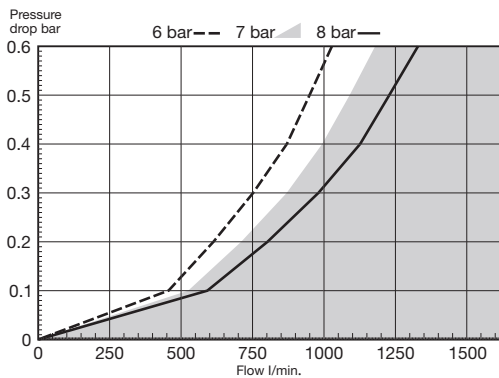
Flow diameter : 5.5 mm

Connectable with the following:

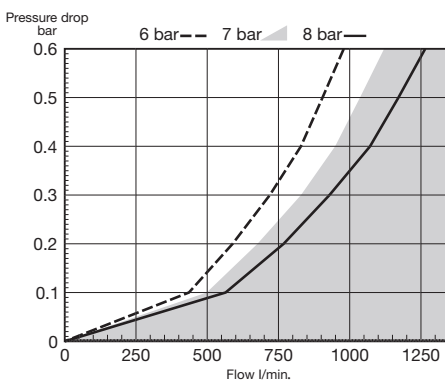
Atlas Copco Q8, Cejn 310, Hansen 1000, Rectus-Tema 23,24, and many more - see the coupling overview.



Flowdiagram: Series 511, 521, 531



Flowdiagram: Series 571



	Series 511	Series 521
	Reduced connection force	Heavy Duty Low weight
Max. working pressure	16 bar	25 bar
Burst pressure	140 bar	150 bar
Temperature range	-20 °C to +60 °C	-20 °C to +60 °C
Flow diameter	5.5 mm	5.5 mm
1/4" BSP internal thread	511-002000	521-002000
1/4" NPT internal thread	511-032000	521-032000
3/8" BSP internal thread	511-004000	521-004000
3/8" NPT internal thread	511-034000	521-034000
1/2" BSP internal thread	511-005000	521-005000
1/2" NPT internal thread	511-035000	521-035000
1/4" BSPT ext. thread	511-012000	521-012000
1/4" NPT ext. thread	511-042000	521-042000
3/8" BSPT ext. thread	511-014000	521-014000
3/8" NPT ext. thread	511-044000	521-044000
1/2" BSPT ext. thread	511-015000	521-015000
1/2" NPT ext. thread	511-045000	521-045000
1/4" (6 mm) hose con.	511-022000	521-022000
5/16" (8 mm) hose con.	511-023000	521-023000
3/8" (10 mm) hose con.	511-024000	521-024000
1/2" (13 mm) hose con.	511-025000	521-025000
PUR conn. ø5/ø8 mm	511-052000	521-052000
PUR conn. ø6.5/ø10 mm	511-054000	521-054000
PUR conn. ø8/ø12 mm	511-055000	521-055000
PUR conn. ø9.5/ø13.5 mm	511-056000	521-056000

Housing	Steel, el. galvanized	Steel, el. galvanized
Ball cage	Steel, el. galvanized	Acetal plastic
Valve	Brass	POM
Retaining ring	Hardened steel, el. galv.	Hardened steel, el. galv.
Guard ring	-	-
Balls	Hardened steel	Hardened steel
Seals	Nitrile rubber	Nitrile rubber
Springs	Stainless spring wire	Stainless spring wire

The couplings and nipples with external thread can also be delivered with teflon.

ADVANTAGES

Robust and impact-resistant couplings. All couplings are pressed together to prevent leaks. Low pressure drop thanks to optimized valve system. One-handed connection and release. Anti-whip nipples are available as accessories. The 521- & 531-Series are also available in stainless and acid proof steel.

LOW CONNECTION FORCE

The series 511 and 571 are supplied with a user-friendly valve system that reduces the connection force by 50 % compared to conventional valve systems currently available.

SAFETY COUPLING

The 571 series has a two-step release system.

HEAVY DUTY:

The series 521 and 531 are suitable for heavy-duty use.

VACUUM COUPLING

The seals/washers of the 511 series also make it suitable as a vacuum coupling.

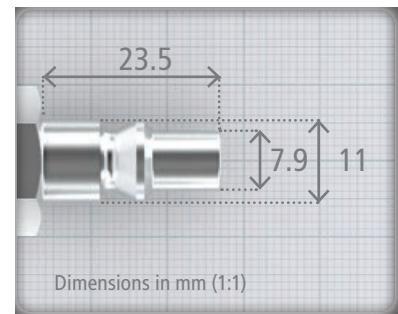


Series 531	Series 571	Nipples
Heavy Duty	Safety coupling Low connex. force	Hardened steel
25 bar	16 bar	
150 bar	150 bar	
-20 °C to +60 °C	-20 °C to +60 °C	
5.5 mm	5.5 mm	
531-002000	571-002000	521302
531-032000	571-032000	521332
531-004000	571-004000	521304
531-034000	571-034000	521334
531-005000	571-005000	521305
531-035000	571-035000	521335 *
531-012000	571-012000	521312
531-042000	571-042000	521342
531-014000	571-014000	521314
531-044000	571-044000	521344
531-015000	571-015000	521315
531-045000	571-045000	521345 *
531-022000	571-022000	521322
531-023000	571-023000	521323
531-024000	571-024000	521324
531-025000	571-025000	521325
531-052000	571-052000	521352
531-054000	571-054000	521354
531-055000	571-055000	521355
531-056000	571-056000	521356
Steel, el. galvanized	Steel, el. galvanized	* On request
Steel, el. galvanized	Brass, nickel plated	
POM	Brass	
Hardened steel, el. galv.	Hardened steel, el. galv.	
-	PA6	
Hardened steel	Hardened steel	
Nitrile rubber	Nitrile rubber	
Stainless spring wire	Stainless spring wire	



ARO 210-profile (Orion)

SERIES 512 522 532 572



COMPATIBILITY:

Standard: ARO 210

Flow diameter: 5.5 mm

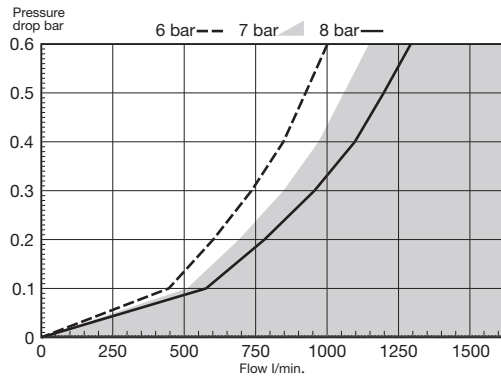
Connectable with the following:

Cejn 300, Hansen 100 & Auto-Flo 23, Orion 44150 & 44515, Proquix 1280, 1281, Rectus-Tema 14 & 22, and many more

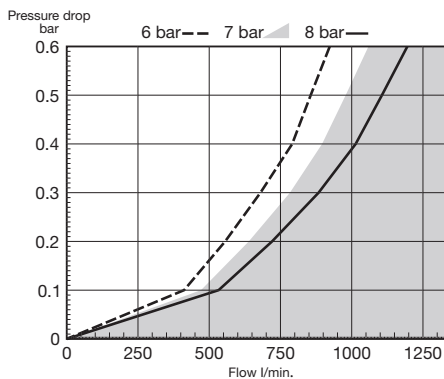
- see the coupling overview.



Flowdiagram: Series 512, 522, 532



Flowdiagram: Series 572



	Series 512	Series 522
	Reduced connection force	Heavy Duty Low weight
Max. working pressure	16 bar	25 bar
Burst pressure	140 bar	150 bar
Temperature range	-20 °C to +60 °C	-20 °C to +60 °C
Flow diameter	5.5 mm	5.5 mm
1/4" BSP internal thread	512-002000	522-002000
1/4" NPT internal thread	512-032000	522-032000
3/8" BSP internal thread	512-004000	522-004000
3/8" NPT internal thread	512-034000	522-034000
1/2" BSP internal thread	512-005000	522-005000
1/2" NPT internal thread	512-035000	522-035000
1/4" BSPT ext. thread	512-012000	522-012000
1/4" NPT ext. thread	512-042000	522-042000
3/8" BSPT ext. thread	512-014000	522-014000
3/8" NPT ext. thread	512-044000	522-044000
1/2" BSPT ext. thread	512-015000	522-015000
1/2" NPT ext. thread	512-045000	522-045000
1/4" (6 mm) hose con.	512-022000	522-022000
5/16" (8 mm) hose con.	512-023000	522-023000
3/8" (10 mm) hose con.	512-024000	522-024000
1/2" (13 mm) hose con.	512-025000	522-025000
PUR conn. ø5/ø8 mm	512-052000	522-052000
PUR conn. ø6.5/ø10 mm	512-054000	522-054000
PUR conn. ø8/ø12 mm	512-055000	522-055000
PUR conn. ø9.5/ø13.5 mm	512-056000	522-056000
Housing	Steel, el. galvanized	Steel, el. galvanized
Ball cage	Steel, el. galvanized	Acetal plastic
Valve	Brass	POM
Retaining ring	Hardened steel, el. galv.	Hardened steel, el. galv.
Guard ring	-	-
Balls	Hardened steel	Hardened steel
Seals	Nitrile rubber	Nitrile rubber
Springs	Stainless spring wire	Stainless spring wire

The couplings and nipples with external thread can also be delivered with teflon.

ADVANTAGES

Robust and impact-resistant couplings. All couplings are pressed together to prevent leaks. Low pressure drop thanks to optimized valve system. One-handed connection and release. Anti-whip nipples are available as accessories. The 522- & 532-Series are also available in stainless and acid proof steel.

LOW CONNECTION FORCE

The series 512 and 572 are supplied with a user-friendly valve system that reduces the connection force by 50 % compared to conventional valve systems currently available.

SAFETY COUPLING

The 572 series has a two-step release system.

HEAVY DUTY:

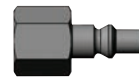
The series 522 and 532 are suitable for heavy-duty use.

VACUUM COUPLING

The seals/washers of the 512 series also make it suitable as a vacuum coupling.

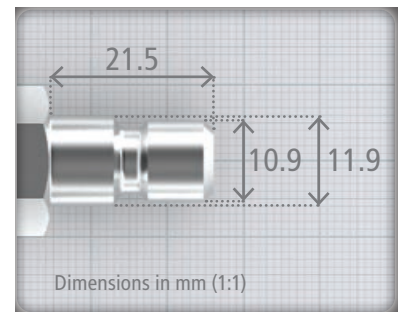


Series 532	Series 572	Nipples
Heavy Duty	Safety coupling Low connex. force	Hardened steel
25 bar	16 bar	
150 bar	150 bar	
-20 °C to +60 °C	-20 °C to +60 °C	
5.5 mm	5.5 mm	
532-002000	572-002000	522302
532-032000	572-032000	522332 *
532-004000	572-004000	522304
532-034000	572-034000	522334 *
532-005000	572-005000	522305
532-035000	572-035000	522335 *
532-012000	572-012000	522312
532-042000	572-042000	522342 *
532-014000	572-014000	522314
532-044000	572-044000	522344 *
532-015000	572-015000	522315
532-045000	572-045000	522345 *
532-022000	572-022000	522322
532-023000	572-023000	522323
532-024000	572-024000	522324
532-025000	572-025000	522325
532-052000	572-052000	522352
532-054000	572-054000	522354
532-055000	572-055000	522355
532-056000	572-056000	522356
Steel, el. galvanized	Steel, el. galvanized	* On request
Steel, el. galvanized	Brass, nickel plated	
POM	Brass	
Hardened steel, el. galv.	Hardened steel, el. galv.	
-	PA6	
Hardened steel	Hardened steel	
Nitrile rubber	Nitrile rubber	
Stainless spring wire	Stainless spring wire	



TEMA 1300-profile

SERIES 514 524 534



COMPATIBILITY:

Standard : TEMA 1300

Flow diameter : 6.4 mm

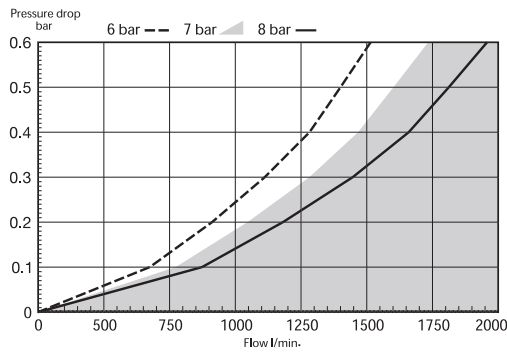
Connectable with the following:

Cejn 303, Rectus 31, Tema 1300, and many more

- see the coupling overview.



Flowdiagram: Series 514, 524, 534



	Series 514	Series 524
	Reduced connection force	Heavy Duty Low weight
Max. working pressure	16 bar	25 bar
Burst pressure	140 bar	150 bar
Temperature range	-20 °C to +60 °C	-20 °C to +60 °C
Flow diameter	6.4 mm	6.4 mm
1/4" BSP internal thread	514-002000	524-002000
1/4" NPT internal thread	514-032000 *	524-032000 *
3/8" BSP internal thread	514-004000	524-004000
3/8" NPT internal thread	514-034000 *	524-034000 *
1/2" BSP internal thread	514-005000	524-005000
1/2" NPT internal thread	514-035000 *	524-035000 *
1/4" BSPT ext. thread	514-012000	524-012000
1/4" NPT ext. thread	514-042000 *	524-042000 *
3/8" BSPT ext. thread	514-014000	524-014000
3/8" NPT ext. thread	514-044000 *	524-044000 *
1/2" BSPT ext. thread	514-015000	524-015000
1/2" NPT ext. thread	514-045000 *	524-045000 *
1/4" (6 mm) hose con.	514-022000	524-022000
5/16" (8 mm) hose con.	514-023000	524-023000
3/8" (10 mm) hose con.	514-024000	524-024000
1/2" (13 mm) hose con.	514-025000	524-025000
PUR conn. ø5/ø8 mm	514-052000	524-052000
PUR conn. ø6.5/ø10 mm	514-054000	524-054000
PUR conn. ø8/ø12 mm	514-055000	524-055000
PUR conn. ø9.5/ø13.5 mm	514-056000	524-056000
Housing	Steel, el. galvanized	Steel, el. galvanized
Ball cage	Steel, el. galvanized	Acetal plastic
Valve	Brass	POM
Retaining ring	Hardened steel, el. galv.	Hardened steel, el. galv.
Guard ring	-	-
Balls	Hardened steel	Hardened steel
Seals	Nitrile rubber	Nitrile rubber
Springs	Stainless spring wire	Stainless spring wire

The couplings and nipples with external thread can also be delivered with teflon.

ADVANTAGES

Robust and impact-resistant couplings. All couplings are pressed together to prevent leaks. Low pressure drop thanks to optimized valve system. One-handed connection and release. Anti-whip nipples are available as accessories. The 524- & 534-Series are also available in stainless and acid proof steel.

LOW CONNECTION FORCE

The series 514 is supplied with a user-friendly valve system that reduces the connection force by 50 % compared to conventional valve systems currently available.

HEAVY DUTY:

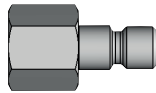
The series 524 and 534 are suitable for heavy-duty use.

VACUUM COUPLING

The seals/washers of the 514 series also make it suitable as a vacuum coupling.

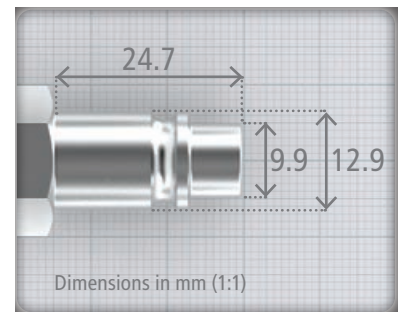


Series 534	Nipples
Heavy Duty	Hardened steel
25 bar	
150 bar	
-20 °C to +60 °C	
6.4 mm	
534-002000	524302
534-032000 *	524332 *
534-004000	524304
534-034000 *	524334 *
534-005000	524305
534-035000 *	524335 *
534-012000	524312
534-042000 *	524342 *
534-014000	524314
534-044000 *	524344 *
534-015000	524315
534-045000 *	524345 *
534-022000	524322
534-023000	524323
534-024000	524324
534-025000	524325
534-052000	524352
534-054000	524354
534-055000	524355
534-056000	524356
Steel, el. galvanized	* On request
Steel, el. galvanized	
POM	
Hardened steel, el. galv.	
-	
Hardened steel	
Nitrile rubber	
Stainless spring wire	



QIC 10-profile

SERIES 515



COMPATIBILITY:

Standard : QIC 10

Flowdiameter : 8.0 mm

Connectable with the following:

Atlas Copco Q 10, Rectus 33, and many more

- see the coupling overview.

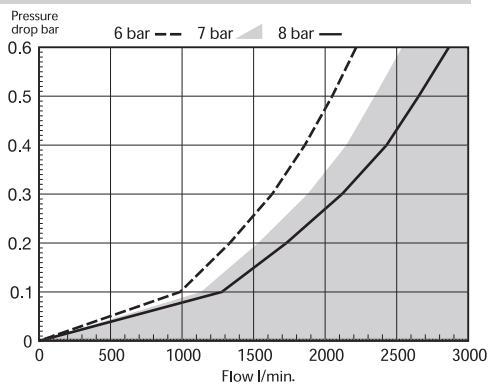
ADVANTAGES:

Equipped with new, user-friendly valve system that reduces connection force by 50% in comparison with the conventional valve systems currently available.

Low pressure drop thanks to optimized valve system. One-handed connection and release. Anti-whip nipples available as accessories.



Flowdiagram: Series 515

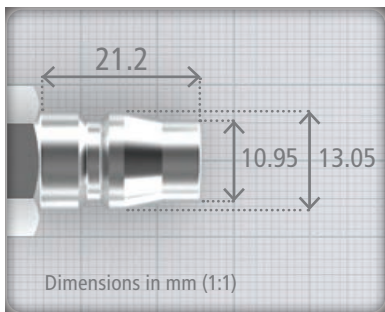


	Series 515	Nipples
	Reduced connection force	Hardened steel
Max. working pressure	16 bar	
Burst pressure	140 bar	
Temperature range	-20 °C to +60 °C	
Flow diameter	8.0 mm	

1/4" BSP internal thread	515-002000	515302
1/4" NPT internal thread	515-032000 *	515332 *
3/8" BSP internal thread	515-004000	515304
3/8" NPT internal thread	515-034000 *	515334 *
1/2" BSP internal thread	515-005000	515305
1/2" NPT internal thread	515-035000 *	515335 *
1/4" BSPT ext. thread	515-012000	515312
1/4" NPT ext. thread	515-042000 *	515342 *
3/8" BSPT ext. thread	515-014000	515314
3/8" NPT ext. thread	515-044000 *	515344 *
1/2" BSPT ext. thread	515-015000	515315
1/2" NPT ext. thread	515-045000 *	515345 *
1/4" (6 mm) hose con.	515-022000	515322
5/16" (8 mm) hose con.	515-023000	515323
3/8" (10 mm) hose con.	515-024000	515324
1/2" (13 mm) hose con.	515-025000	515325
PUR conn. ø5/ø8 mm	515-052000	515352
PUR conn. ø6.5/ø10 mm	515-054000	515354
PUR conn. ø8/ø12 mm	515-055000	515355
PUR conn. ø9.5/ø13.5 mm	515-056000	515356

Housing	Steel, el. galvanized	* On request
Ball cage	Steel, el. galvanized	
Valve	Brass	
Retaining ring	Hardened steel, el. galv.	
Balls	Hardened steel	
Seals	Nitrile rubber	
Springs	Stainless spring wire	

The couplings and nipples with external thread can also be delivered with teflon.



Asian-profile

SERIES 539



COMPATIBILITY:

Standard: NITTO-KOHKI 200

Flow diameter : 7.8 mm

Connectable with the following:

Nitto-Kohki 200, Cejn 314, Rectus 13, and many more - see the coupling overview.

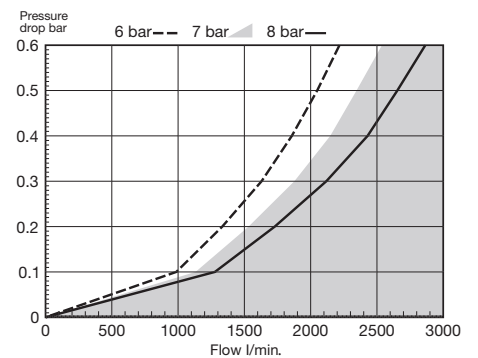
ADVANTAGES:





Equipped with new, user-friendly valve system that reduces connection force by 50% in comparison with the conventional valve systems currently available.

Low pressure drop thanks to optimized valve system. One-handed connection and release. Anti-whip nipples available as accessories.

	Series 539	Nipples
	Reduced connection force	Hardened steel
Max. working pressure	35 bar	
Burst pressure	150 bar	
Temperature range	-20 °C to +60 °C	
Flow diameter	7.8 mm	

Flowdiagram: Series 539



	1/4" BSP internal thread	539-002000	529302
	1/4" NPT internal thread	539-032000 *	529332*
	3/8" BSP internal thread	539-004000	529304
	3/8" NPT internal thread	539-034000 *	529334*
	1/2" BSP internal thread	539-005000	529305
	1/2" NPT internal thread	539-035000 *	529335*
	1/4" BSPT ext. thread	539-012000	529312
	1/4" NPT ext. thread	539-042000 *	529342*
	3/8" BSPT ext. thread	539-014000	529314
	3/8" NPT ext. thread	539-044000 *	529344*
	1/2" BSPT ext. thread	539-015000	529315
	1/2" NPT ext. thread	539-045000 *	529345*
	1/4" (6 mm) hose con.	539-022000	529322
	5/16" (8 mm) hose con.	539-023000	529323
	3/8" (10 mm) hose con.	539-024000	529324
	1/2" (13 mm) hose con.	539-025000	529325
	PUR conn. ø5/ø8 mm	539-052000	529352*
	PUR conn. ø6.5/ø10 mm	539-054000	529354*
	PUR conn. ø8/ø12 mm	539-055000	529355*
	PUR conn. ø9.5/ø13.5 mm	539-056000	529356*

Housing	Steel, el. galvanized
Ball cage	Steel, el. galvanized
Valve	Brass
Retaining ring	Hardened steel, el. galv.
Balls	Hardened steel
Seals	Nitrile rubber
Springs	Stainless spring wire

* On request

The couplings and nipples with external thread can also be delivered with teflon.

EURO X-Large-profile

SERIES 600

COMPATIBILITY:

Standard : EURO X-Large

Flowdiameter : 10.4 mm

Connectable with the following:

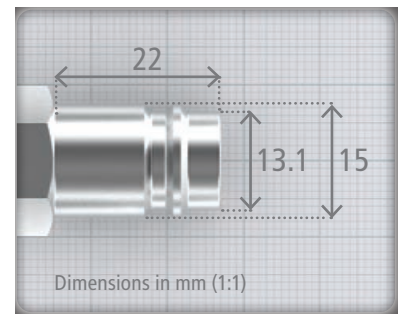
Cejn 410, Rectus 27, 41, 1700, 1727,

and many more.

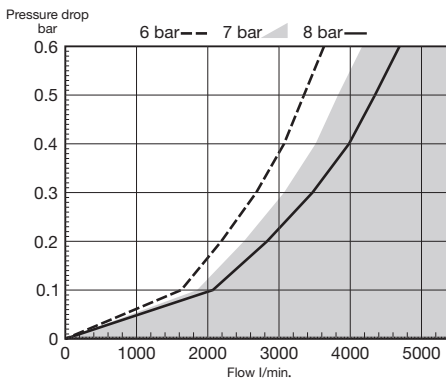
ADVANTAGES:

Low pressure drop thanks to optimized valve system. One-handed connection and release.

Anti-whip nipples available as accessories.

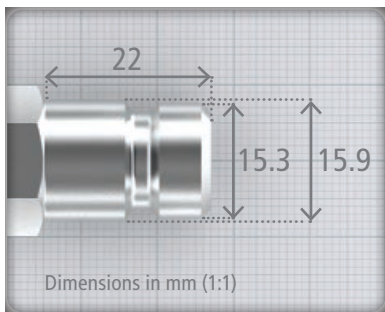


Flowdiagram: Series 600



	Series 600	Nipples
	Reduced connection force	Hardened steel
Max. working pressure	16 bar	
Burst pressure	150 bar	
Temperature range	-20 °C to +60 °C	
Flow diameter	10.4 mm	
1/4" BSP internal thread	600-002000 *	600302
1/4" NPT internal thread	600-032000 *	600332*
3/8" BSP internal thread	600-004000	600304
3/8" NPT internal thread	600-034000	600334
1/2" BSP internal thread	600-005000	600305
1/2" NPT internal thread	600-035000	600335
3/4" BSP internal thread	600-007000	600307
3/4" NPT internal thread	600-037000	600337
1/4" BSPT ext. thread	600-012000 *	600312
1/4" NPT ext. thread	600-042000 *	600342*
3/8" BSPT ext. thread	600-014000	600314
3/8" NPT ext. thread	600-044000	600344
1/2" BSPT ext. thread	600-015000	600315
1/2" NPT ext. thread	600-045000	600345
3/4" BSPT ext. thread	600-017000	600317
3/4" NPT ext. thread	600-047000	600347
5/16" (8 mm) hose con.	600-023000	600323
3/8" (10 mm) hose con.	600-024000	600324
1/2" (13 mm) hose con.	600-025000	600325
5/8" (16 mm) hose con.	600-026000	600326
3/4" (19 mm) hose con.	600-027000	600327
Housing	Steel, el. galvanized	* On request
Ball cage	Steel, el. galvanized	
Valve	Brass	
Retaining ring	Hardened steel, el. galv.	
Balls	Hardened steel	
Seals	Nitrile rubber	
Springs	Stainless spring wire	

The couplings and nipples with external thread can also be delivered with teflon.



TEMA 1800-profile

SERIES 604



COMPATIBILITY:

Standard: TEMA 1800

Flow diameter : 11.0 mm

Connectable with the following:

Tema 1800, Cejn 408, Rectus 32,
and many more.

ADVANTAGES:

Low pressure drop thanks to optimized valve system. One-handed connection and release. Anti-whip nipples available as accessories.

	Series 604
	Reduced connection force
Max. working pressure	16 bar
Burst pressure	150 bar
Temperature range	-20 °C to +60 °C
Flow diameter	11.0 mm

Nipples
Hardened steel

1/4" BSP internal thread	604-002000 *
1/4" NPT internal thread	604-032000 *
3/8" BSP internal thread	604-004000
3/8" NPT internal thread	604-034000 *
1/2" BSP internal thread	604-005000
1/2" NPT internal thread	604-035000 *
3/4" BSP internal thread	604-007000
3/4" NPT internal thread	604-037000

604302
604332*
604304
604334*
604305
604335*
604307
604337*

1/4" BSPT ext. thread	604-012000
1/4" NPT ext. thread	604-042000 *
3/8" BSPT ext. thread	604-014000
3/8" NPT ext. thread	604-044000 *
1/2" BSPT ext. thread	604-015000
1/2" NPT ext. thread	604-045000 *
3/4" BSPT ext. thread	604-017000
3/4" NPT ext. thread	604-047000

604312
604342*
604314
604344*
604315
604345*
604317
604347*

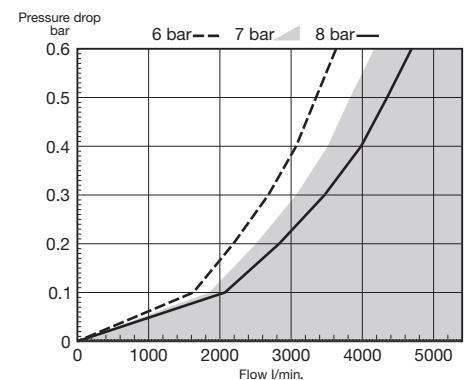
5/16" (8 mm) hose con.	604-023000
3/8" (10 mm) hose con.	604-024000
1/2" (13 mm) hose con.	604-025000
5/8" (16 mm) hose con.	604-026000
3/4" (19 mm) hose con.	604-027000

604323
604324
604325
604326
604327*

Housing	Steel, el. galvanized
Ball cage	Steel, el. galvanized
Valve	Brass
Retaining ring	Hardened steel, el. galv.
Balls	Hardened steel
Seals	Nitrile rubber
Springs	Stainless spring wire

On request *

Flowdiagram: Series 604

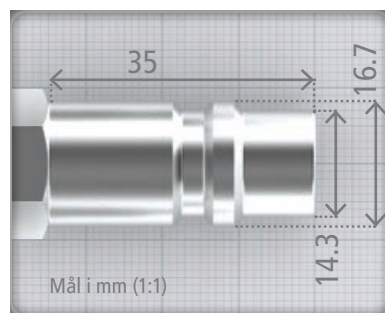


The couplings and nipples with external thread can also be delivered with teflon.

ISO 6150 B-profile (1/2")

(US-MIL-C-4109 1/2")

SERIES 691



COMPATIBILITY:

Standard : ISO 6150 Series B, US-MIL-C-4109 1/2"

Flowdiameter : 11.0 mm

Connectable with the following:

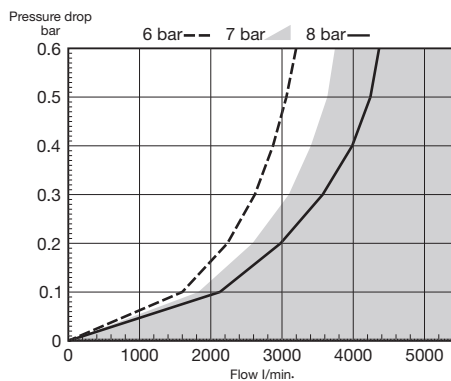
Hansen 5000, Cejn 550, Rectus 37,
and many more.

ADVANTAGES:

Low pressure drop thanks to optimized valve system. One-handed connection and release. Anti-whip nipples available as accessories.

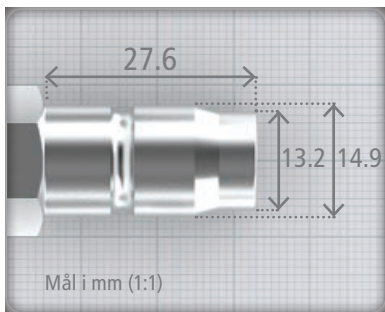


Flowdiagram: Series 691



	Series 691	Nipples
	Reduced connection force	Hardened steel
Max. working pressure	16 bar	
Burst pressure	150 bar	
Temperature range	-20 °C to +60 °C	
Flow diameter	11.0 mm	
1/4" BSP internal thread	691-002000	691302
1/4" NPT internal thread	691-032000 *	691332 *
3/8" BSP internal thread	691-004000	691304
3/8" NPT internal thread	691-034000 *	691334 *
1/2" BSP internal thread	691-005000	691305
1/2" NPT internal thread	691-035000 *	691335 *
3/4" BSP internal thread	691-007000	691307
3/4" NPT internal thread	691-037000 *	691337 *
1/4" BSPT ext. thread	691-012000	691312
1/4" NPT ext. thread	691-042000 *	691342 *
3/8" BSPT ext. thread	691-014000	691314
3/8" NPT ext. thread	691-044000 *	691344 *
1/2" BSPT ext. thread	691-015000	691315
1/2" NPT ext. thread	691-045000 *	691345 *
3/4" BSPT ext. thread	691-017000	691317
3/4" NPT ext. thread	691-047000 *	691347 *
5/16" (8 mm) hose con.	691-023000	691323
3/8" (10 mm) hose con.	691-024000	691324
1/2" (13 mm) hose con.	691-025000	691325
5/8" (16 mm) hose con.	691-026000	691326
3/4" (19 mm) hose con.	691-027000	691327
Housing	Steel, el. galvanized	* On request
Ball cage	Steel, el. galvanized	
Valve	Brass	
Retaining ring	Hardened steel, el. galv.	
Balls	Hardened steel	
Seals	Nitrile rubber	
Springs	Stainless spring wire	

The couplings and nipples with external thread can also be delivered with teflon.



QIC 15-profile

SERIES 695



COMPATIBILITY:

Standard: QIC 15

Flowdiameter : 11,0 mm

Connectable with the following:

Atlas Copco Q 15, Rectus 34, and many more.

ADVANTAGES:

Low pressure drop thanks to optimized valve system. One-handed connection and release.

Anti-whip nipples available as accessories.

	Series 695	Nipples
	Reduced connection force	Hardened steel
Max. working pressure	16 bar	
Burst pressure	150 bar	
Temperature range	-20 °C to +60 °C	
Flow diameter	11.0 mm	

1/4" BSP internal thread	695-002000	695302
1/4" NPT internal thread	695-032000 *	695332*
3/8" BSP internal thread	695-004000	695304
3/8" NPT internal thread	695-034000 *	695334*
1/2" BSP internal thread	695-005000	695305
1/2" NPT internal thread	695-035000 *	695335*
3/4" BSP internal thread	695-007000	695307
3/4" NPT internal thread	695-037000 *	695337*

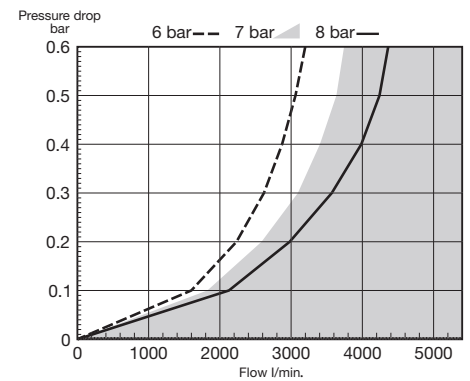
1/4" BSPT ext. thread	695-012000	695312
1/4" NPT ext. thread	695-042000 *	695342*
3/8" BSPT ext. thread	695-014000	695314
3/8" NPT ext. thread	695-044000 *	695344*
1/2" BSPT ext. thread	695-015000	695315
1/2" NPT ext. thread	695-045000 *	695345*
3/4" BSPT ext. thread	695-017000	695317
3/4" NPT ext. thread	695-047000 *	695347*

5/16" (8 mm) hose con.	695-023000	695323
3/8" (10 mm) hose con.	695-024000	695324
1/2" (13 mm) hose con.	695-025000	695325
5/8" (16 mm) hose con.	695-026000	695326
3/4" (19 mm) hose con.	695-027000	695327

Housing	Steel, el. galvanized
Ball cage	Steel, el. galvanized
Valve	Brass
Retaining ring	Hardened steel, el. galv.
Balls	Hardened steel
Seals	Nitrile rubber
Springs	Stainless spring wire

* On request

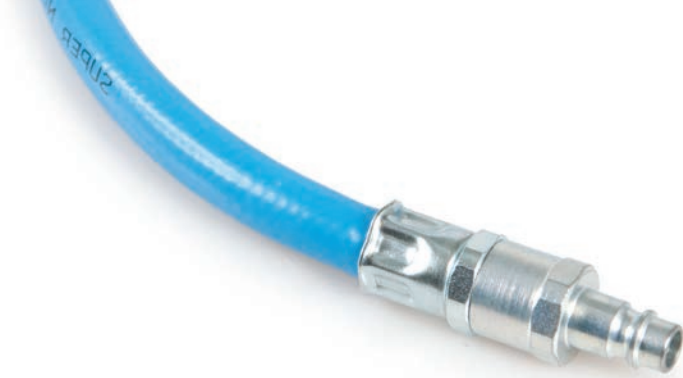
Flowdiagram: Series 695



The couplings and nipples with external thread can also be delivered with teflon.

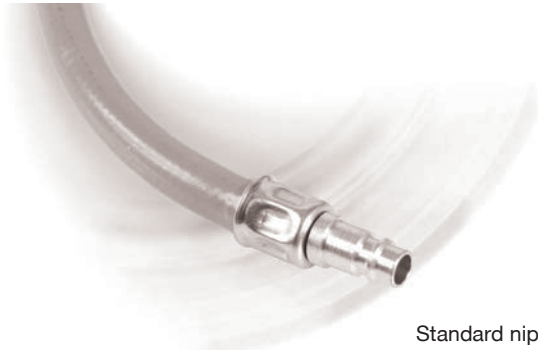
Anti whip nipples

WHIP AND "NOISE" REDUCING SAFETY NIPPLES FOR COMPRESSED AIR HOSES



Anti Whip nipple

Anti Whip nipples reduces whip and noise from the hose when disconnecting by releasing the remaining air out slowly.



Standard nipple

Ordinary nipples does not prevent whip and noise from pneumatic hoses when disconnecting.



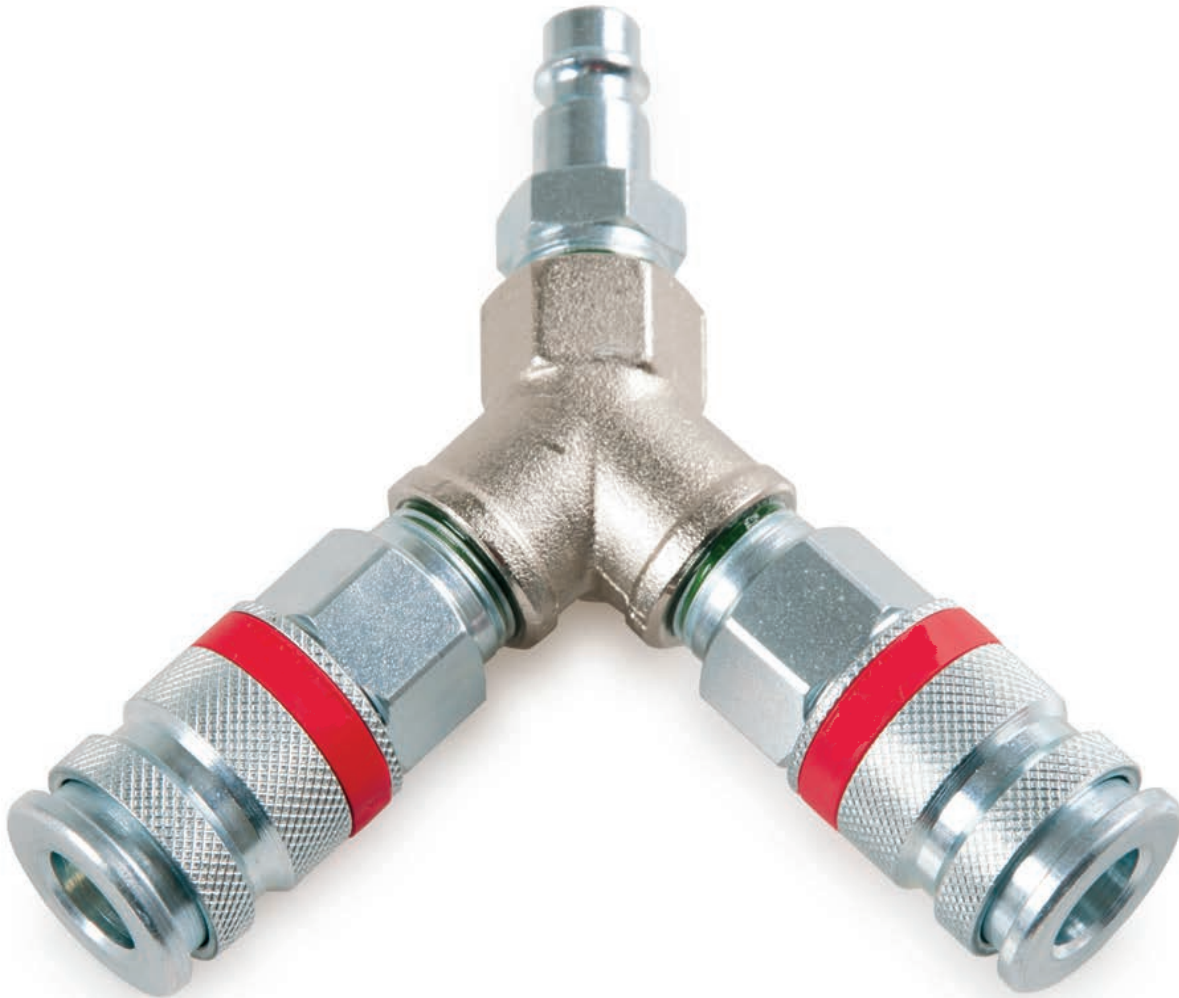
Connection	Euro	ISO 6150 B US MIL4109C 1/4"	ARO 210	Tema 1300	Euro XL	Tema 1800
1/4" (6 mm) hose con.	570322	571322	572322	574322	-	-
5/16" (8 mm) hose con.	570323	571323	572323	574323	670323	674323
3/8" (10 mm) hose con.	570324	571324	572324	574324	670324	674324
1/2" (13 mm) hose con.	570325	571325	572325	574325	670325	674325
5/8" (16 mm) hose con.	-	-	-	-	670326	674326
3/4" (19 mm) hose con.	-	-	-	-	670327	674327
PUR connection ø5/ø8 mm	570352	571352	572352	574352	-	-
PUR connection ø6.5/ø10 mm	570354	571354	572354	574354	670354	674354
PUR connection ø8/ø12 mm	570355	571355	572355	574355	670355	674355
PUR connection ø9.5/ø13.5 mm	570356	571356	572356	574356	670356	674356



Housing	Steel, el. galvanized
Valve	Acetalplastic
Nipple	Hardened steel, el. galv.
Seals	Nitrile rubber

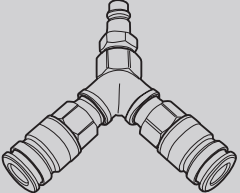
Twin couplings

SERIES 520 & 530



Twin coupling assembled with EURO couplings and nipple (Series 520 or 530)

With the Twin coupling you have an extra connection option on e.g. your compressor.

Twin couplings		Art.Nr.
	Twin coupling Series 520. Series 520 couplings mounted on Y-piece with nipple (EURO-profile)	520-214000
	Twin coupling Series 530. Series 530 couplings mounted on Y-piece with nipple (EURO-profile)	530-214000



Tel: 505-550-6501

Fax: 505-814-5778

Email: sales@agstech.net

Web: www.agstech.net

PRIVATE LABEL OPTION

OEM OPTION

We can put your company name, brand....on these.

MADE IN DENMARK