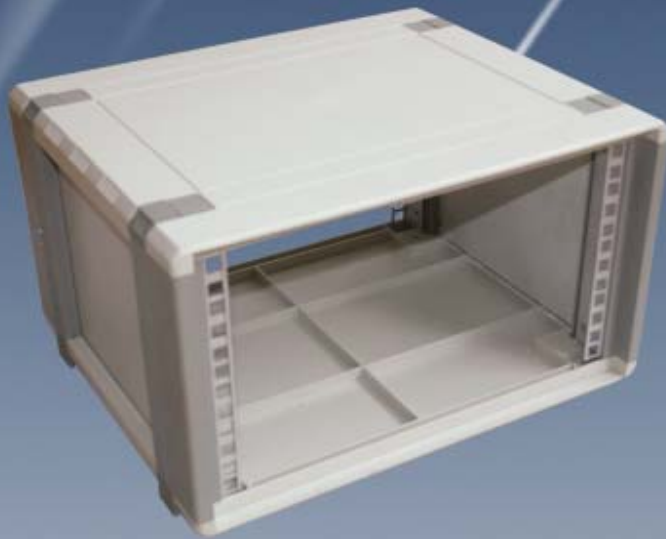




PLASTIC & ALUMINIUM ENCLOSURES



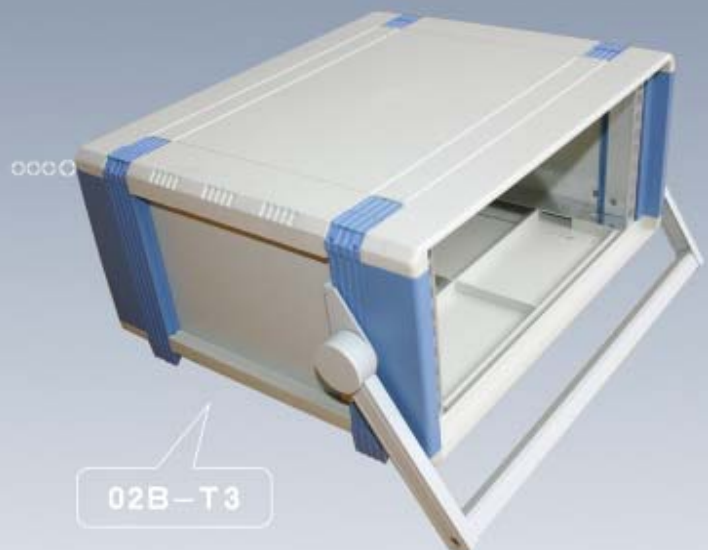
02A



02B



02B



02B-T3

02 Instrument case system II

Available size

Height/Width/Depth Chart of 02A,02B

Model	Exterior size			Interior size			Panel size			
	Overall height	Overall width	Overall depth	Inside height	Inside width	Inside depth	Blank size		Useable size	
	H(U)	L(mm)	T(mm)	h(mm)	l(mm)	t(mm)	B(mm)	A(mm)	b(mm)	a(mm)
02A-1-1	2	280	300	62	236	264	254	61	58	231.5
02A-1-2	3	280	300	107	236	264	254	106	103	231.5
02A-1-3	4	280	300	151	236	264	254	150	147	231.5
02A-1-4	5	280	300	196	236	264	254	195	192	231.5
02A-2-1	2	360	300	62	316	264	334	61	58	311.5
02A-2-2	3	360	300	107	316	264	334	106	103	311.5
02A-2-3	4	360	300	151	316	264	334	150	147	311.5
02A-2-4	5	360	300	196	316	264	334	195	192	311.5
02A-3-1	2	440	350	62	396	314	413	61	58	391.5
02A-3-2	3	440	350	107	396	314	413	106	103	391.5
02A-3-3	4	440	350	151	396	314	413	150	147	391.5
02A-3-4	5	440	350	196	396	314	413	195	192	391.5
02A-4-1	2	180	250	62	136	214	153	61	58	131.5
02A-4-2	3	180	250	107	136	214	153	106	103	131.5
02A-4-3	4	180	250	151	136	214	153	150	147	131.5
02A-4-4	5	180	250	196	136	214	153	195	192	131.5

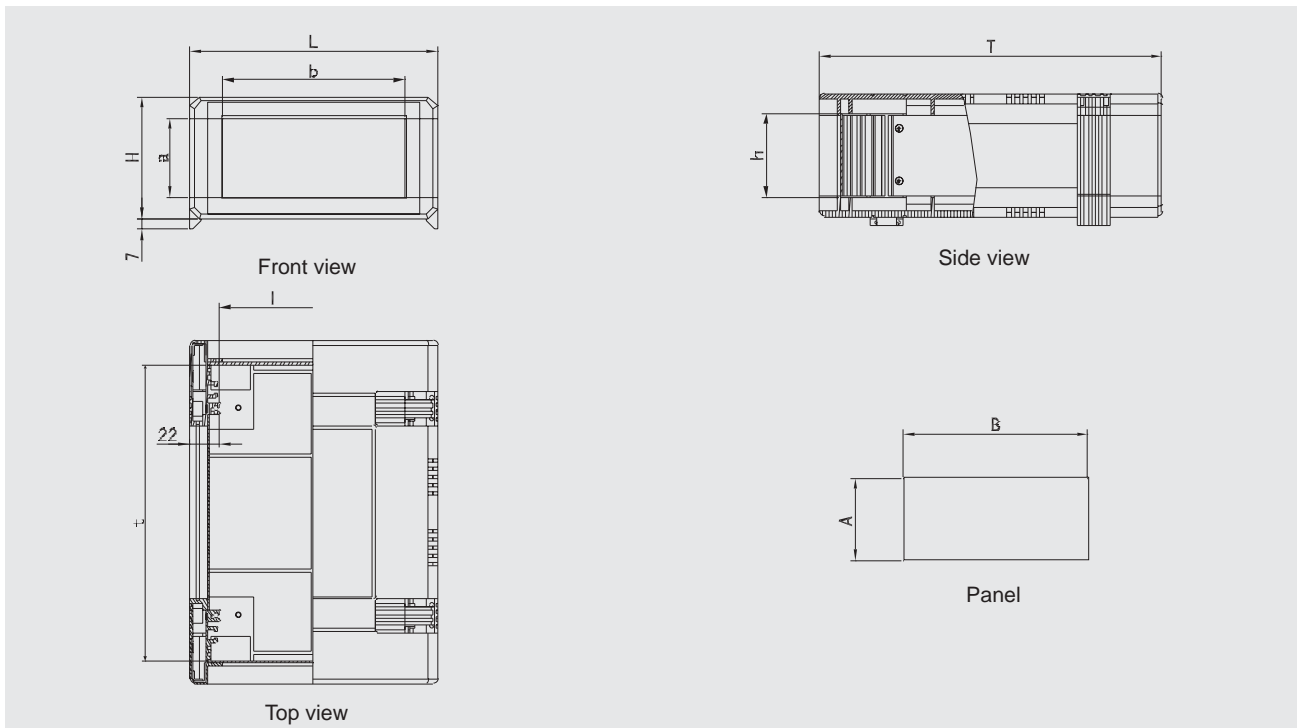
Note: 1U=44.45mm, 1HP=5.08mm

The dimensions shown in the table are only for reference (may exist $\pm 0.5\text{mm}$ dimensions variation)

Custom overall height available upon request

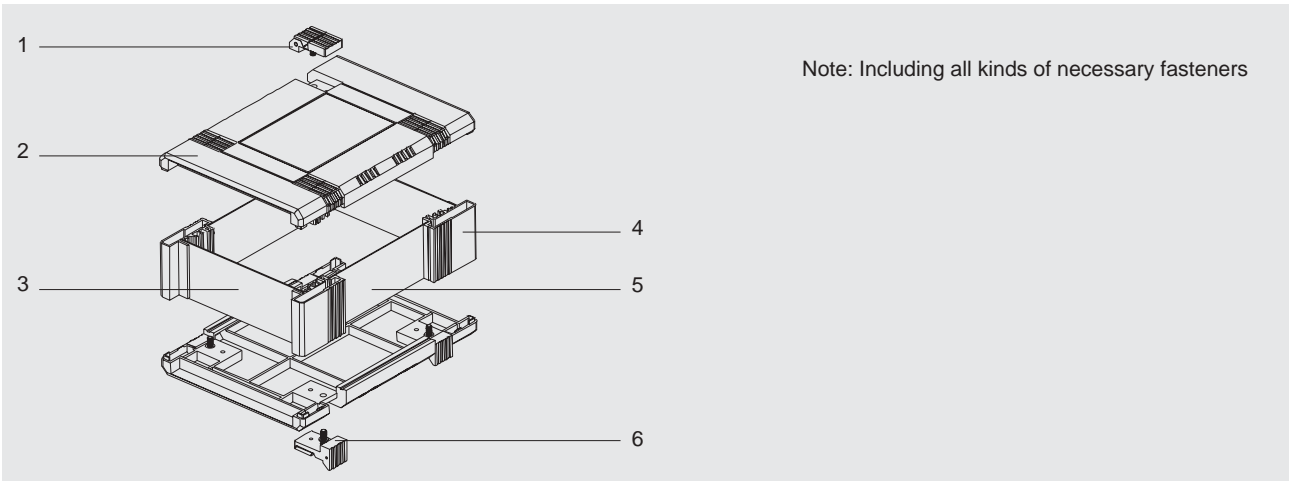
Refer to the following drawing for the definition of enclosure size

Drawing



Standard delivery

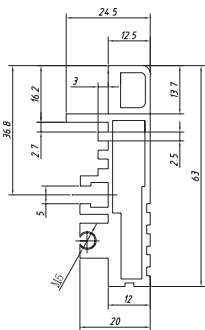
For 02A /02B



ITEM	PART	QTY	DESCRIPTION
1	Screw cover	4	Moulded in PC,with mounting screws
2	Plastic cover	2	Moulded in ABS,UL 94-V0 available
3	Panel	2	2mm aluminum sheet
4	Corner rail	4	Aluminium extrusion,spary plastic
5	Side panel	2	1mm Aluminum sheet
6	Case feet	4	Moulded in ABS,with mounting screws

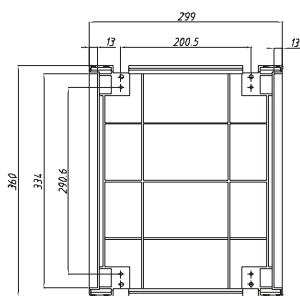
Standard parts

Corner rail



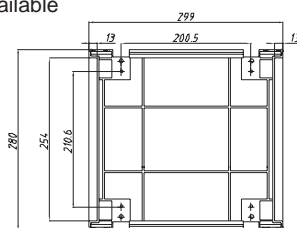
- Material: Aluminum extrusion
- Spary plastic
- Optional height on request

Cover

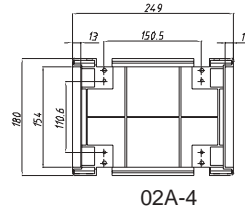
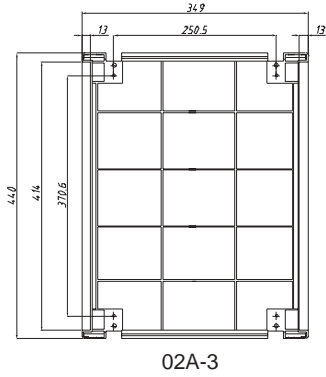


02A-2

- Material:ABS,UL 94-V0 available
- Textured finish
- Custom colors available

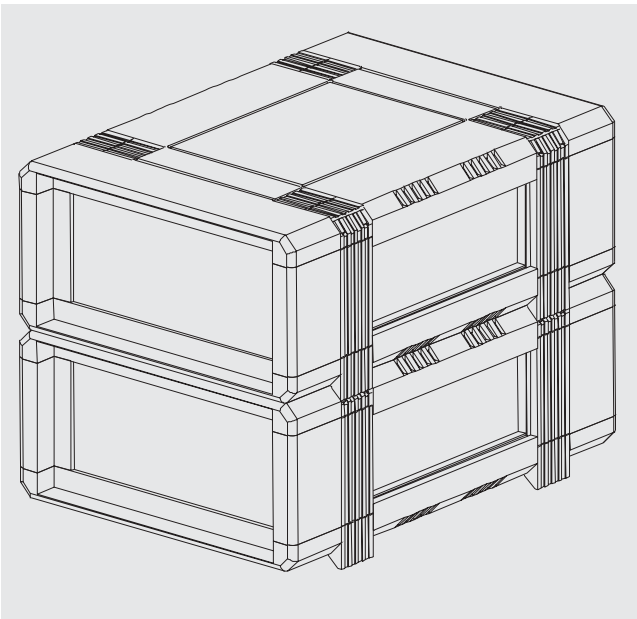


02A-1

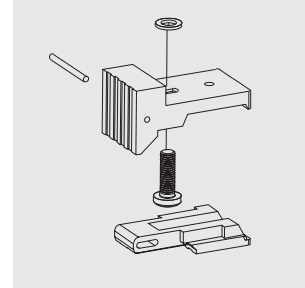
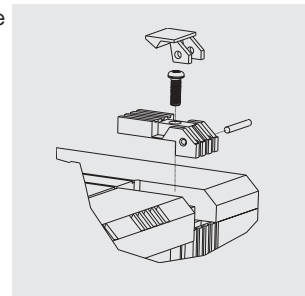


Case feet / Screw lid

- Material: PC
- Pre-mounting screws



Provide no-slide stability for multiple cases stacking during storage or transport



Optional accessories

Mounting angle

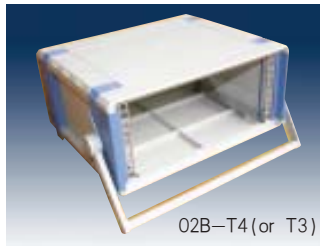


- Material: Aluminium extrusion
- Clear anodized
- As standard part of 02B

Carrying handle



02B-T6



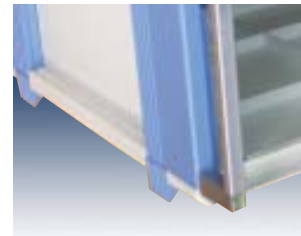
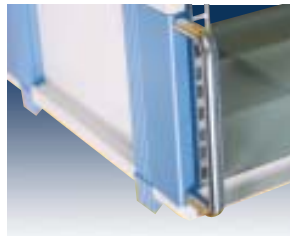
02B-T4 (or T3)



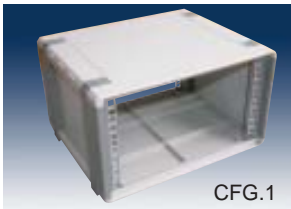
02B-T5

02A series enclosures are available with three types handle

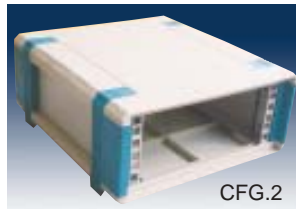
Handle



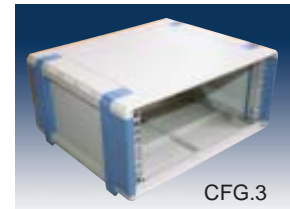
Colors configuration



CFG.1



CFG.2



CFG.3

CFG.	Corner feet	Screw lid	Case feet	Covers	Side panel
1	Mid-gray	Mid-gray	Mid-gray	Gray-white	Gray-white
2	Green	Green	Green	Gray-white	Gray-white
3	Blue	Blue	Blue	Gray-white	Gray-white
4	Thick-gray	Thick-gray	Thick-gray	Gray-white	Gray-white
5	Champagne	Champagne	Champagne	Gray-white	Gray-white

Note: 1. You may provide us with the card of your desired color if specifying the non-standard colors.

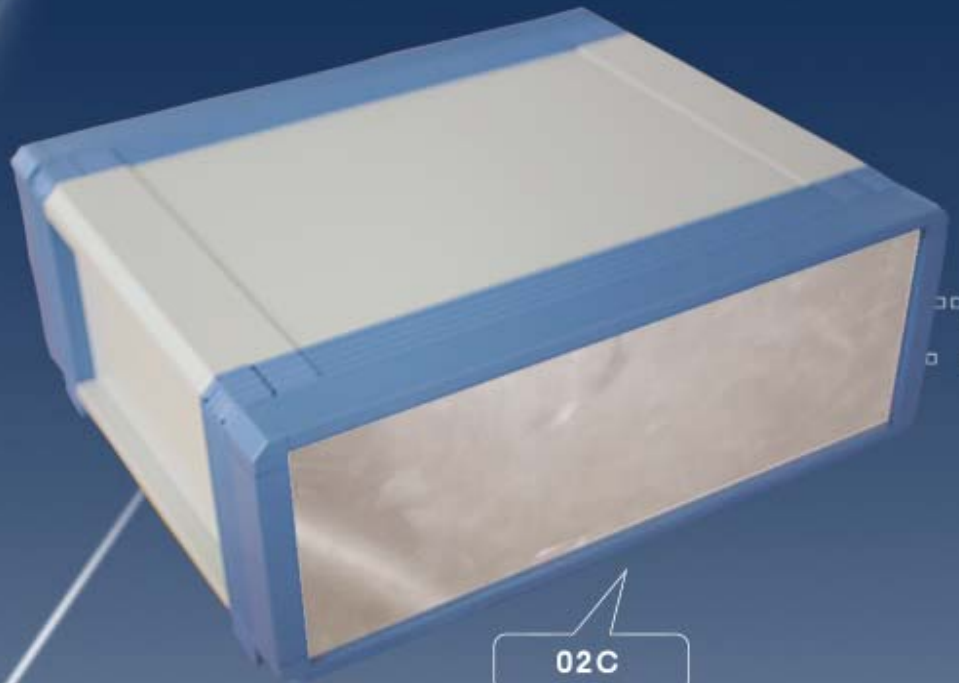
How to order

Ordering the enclosures is very simple. You only need to tell us the following:

1. Model of the enclosure
2. The colors configuration of the enclosure
3. Optional accessories
4. Providing us with the drawing if you require secondary tooling or other cut-outs

Example: Model: 02A-1-1
Colors: CFG.3

ALUMINIUM ENCLOSURES I



02C



02D-T3

Available size

Height/Width/Depth Chart of 02C,02D

Model	Exterior size			Interior size			Panel size			
	Overall height	Overall width	Overall depth	Inside height	Inside width	Inside depth	Blank size		Useable size	
	H(U)	L(mm)	T(mm)	h(mm)	l(mm)	t(mm)	B(mm)	A(mm)	b(mm)	a(mm)
02C/D-1-1	2	280	300	57	236	264	253.5	74.5	250	70
02C/D-1-2	3	280	300	102	236	264	253.5	119.5	250	115
02C/D-1-3	4	280	300	146	236	264	253.5	163.5	250	159
02C/D-1-4	5	280	300	191	236	264	253.5	208.5	250	204
02C/D-2-1	2	360	300	57	316	264	333.5	74.5	330	70
02C/D-2-2	3	360	300	102	316	264	333.5	119.5	330	115
02C/D-2-3	4	360	300	146	316	264	333.5	163.5	330	159
02C/D-2-4	5	360	300	191	316	264	333.5	208.5	330	204
02C/D-3-1	2	440	350	57	396	314	413.5	74.5	410	70
02C/D-3-2	3	440	350	102	396	314	413.5	119.5	410	115
02C/D-3-3	4	440	350	146	396	314	413.5	163.5	410	159
02C/D-3-4	5	440	350	191	396	314	413.5	208.5	410	204
02C/D-4-1	2	180	250	57	136	214	153.5	74.5	150	70
02C/D-4-2	3	180	250	102	136	214	153.5	119.5	150	115
02C/D-4-3	4	180	250	146	136	214	153.5	163.5	150	159
02C/D-4-4	5	180	250	191	136	214	153.5	208.5	150	204

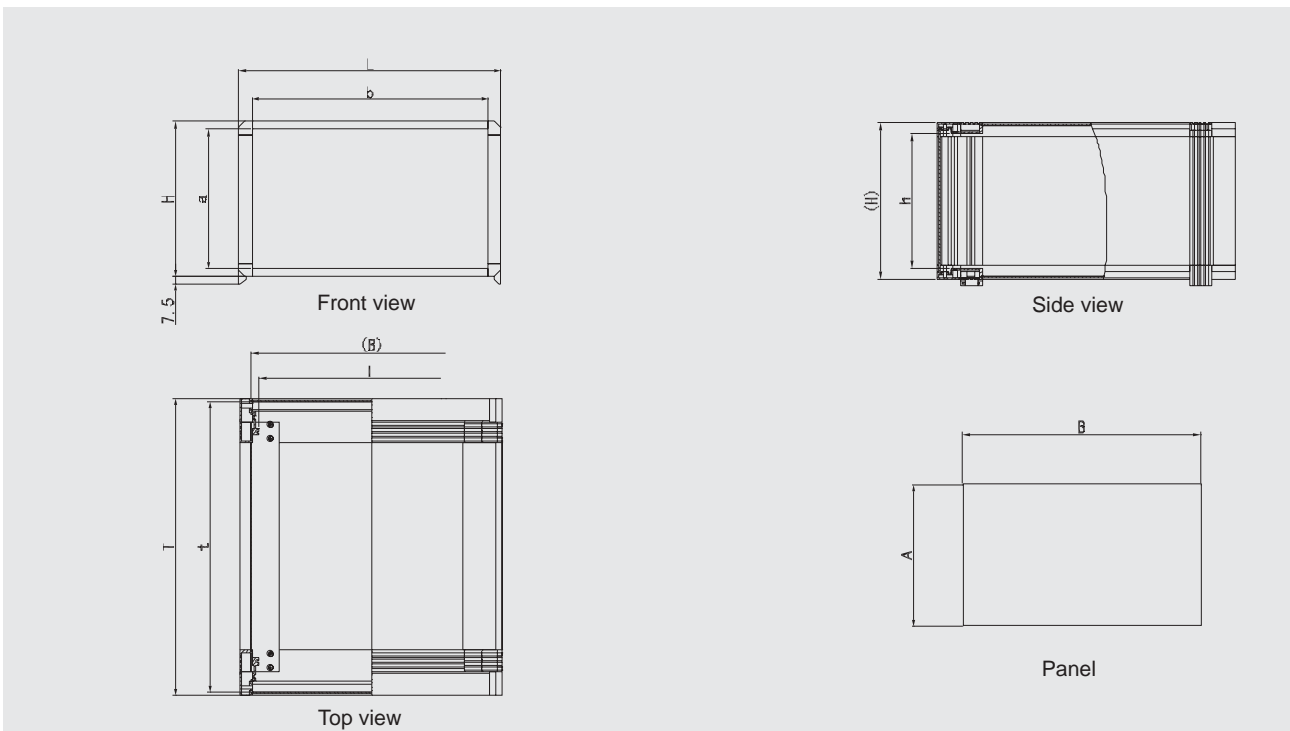
Note: 1U=44.45mm

The dimensions shown in the table are only for reference (may exist ± 0.5mm dimensions variation)

Custom overall height, overall width and overall depth available upon request

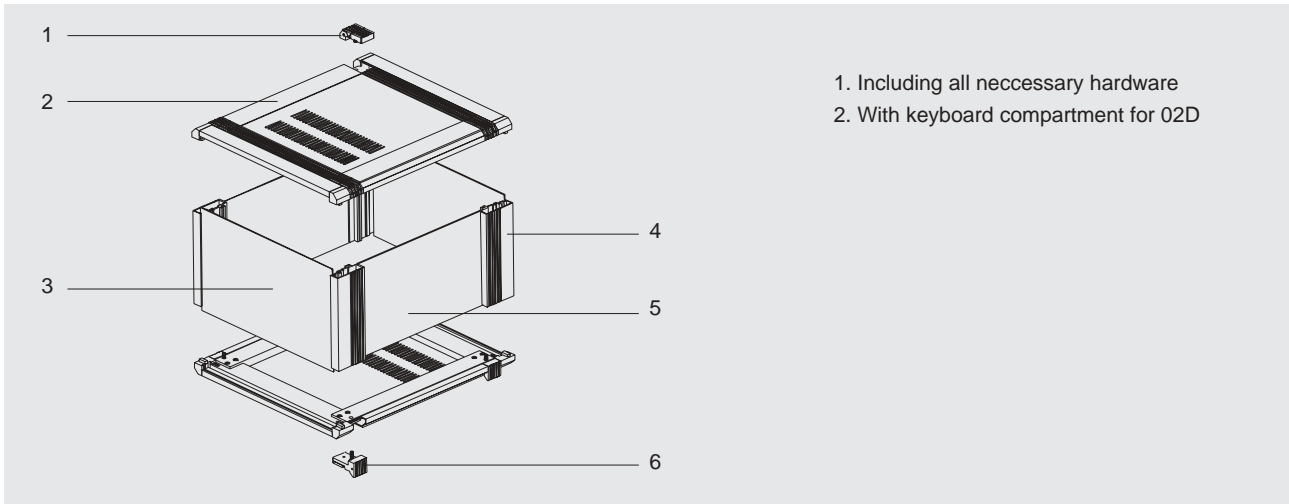
Refer to the following drawing for the definition of enclosure size

Drawing



Standard delivery

For 02A /02B

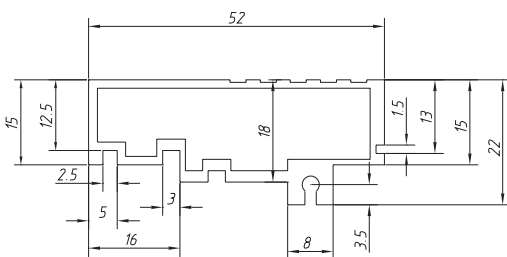


- 1. Including all necessary hardware
- 2. With keyboard compartment for 02D

ITEM	PART	QTY	DESCRIPTION
1	Screw lid	4	Moulded in PC,with mounting screws
2	Cover assembly	2	Conposed of aluminium extrusions,spary plastic
3	Panel	2	2mm aluminum sheet,spary plastic,custom cut-outs available
4	Corner rail	4	Aluminium extrusion,spary plastic
5	Side panel	2	1mm Aluminium shee,spary plastic,custom cut-outs available
6	Case feet	4	Moulded in PC,with mounting screws

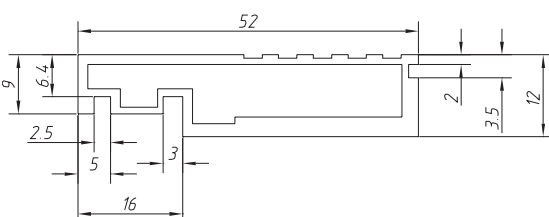
Standard parts

Corner rail



- Material: Aluminum extrusion
- Spary plastic
- Optional height on request

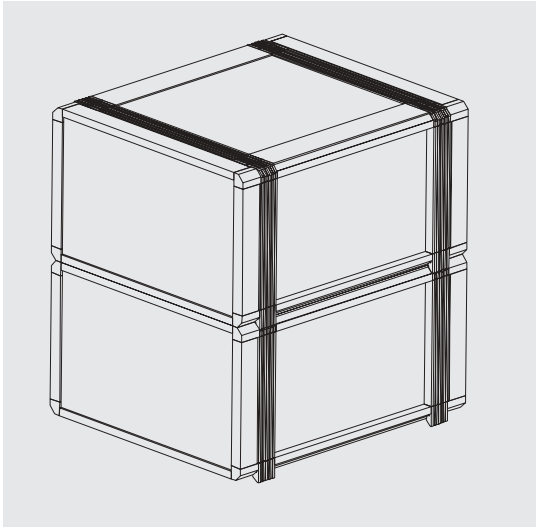
Horizontal rail



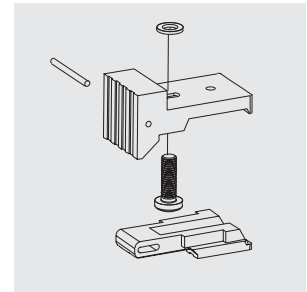
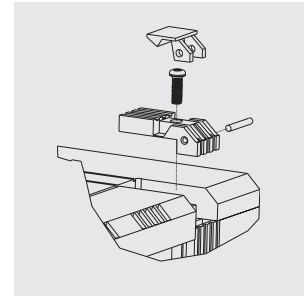
- Material: Aluminum extrusion
- Spary plastic
- One of parts consisting of cover

Case feet / Screw lid

- Material: PC
- Pre-mounting screws

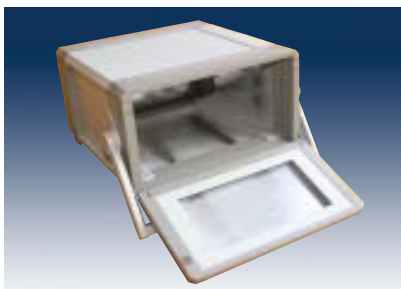


Provide no-slide stability for multiple cases stacking during storage or transport

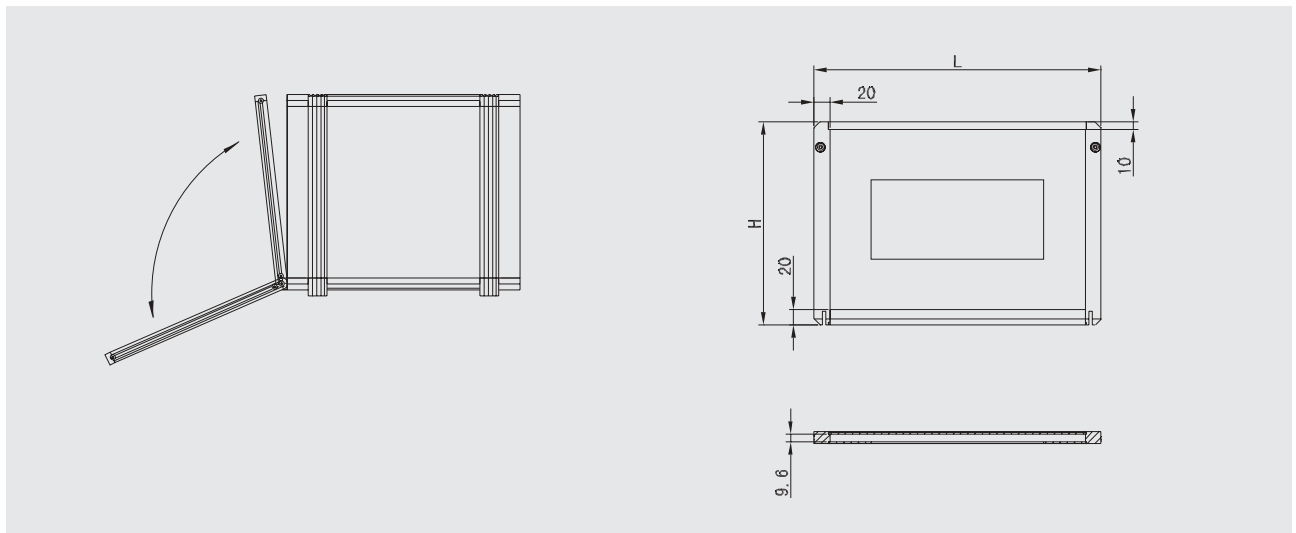


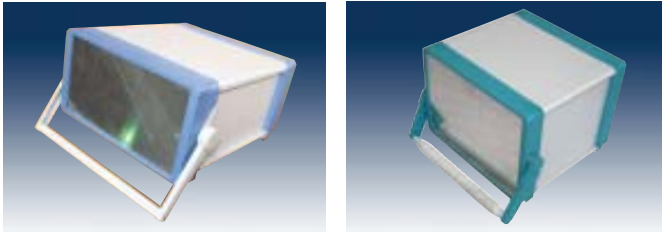
Optional accessories

Keyboard compartment



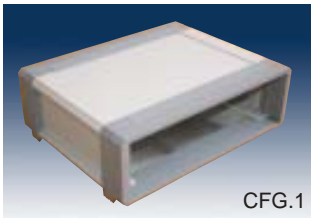
- Aluminum construction, Spary plastic
- Hinged on the front of enclosure
- Closed by magnetized screws in the front of enclosure
- As standard delivery of 02D



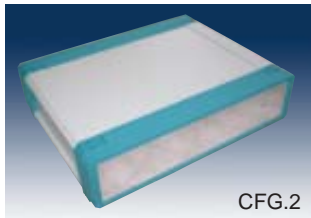


02C/D series enclosures are available with three types handle (T3,T4 and T5)

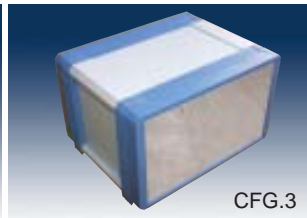
Colors configuration



CFG.1

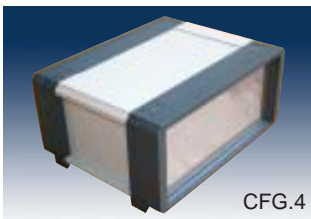


CFG.2

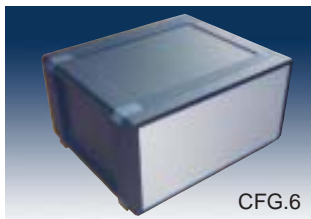


CFG.3

Note: You may provide us with the card of your desired color if specifying the nonstandard colors.



CFG.4



CFG.6

CFG.	Front/rear frame	Side plate	Covers
1	Mid-gray	Gray-white	Gray-white
2	Green	Gray-white	Gray-white
3	Blue	Gray-white	Gray-white
4	Thick-gray	Gray-white	Gray-white
5	Champagne	Gray-white	Gray-white
6	Black	Black	Black

How to order

Ordering the enclosures is very simple. You only need to tell us the following information:

1. Model of the enclosure
2. Model of carrying handle (if you need)
3. The colors configuration of the enclosure
4. Optional accessories
5. Providing us with the drawing if you require secondary tooling or other cut-outs

Example: Model: 02C-1-1
 With T3
 Colors: CFG.3