



# **AGS-TECH, Inc.**

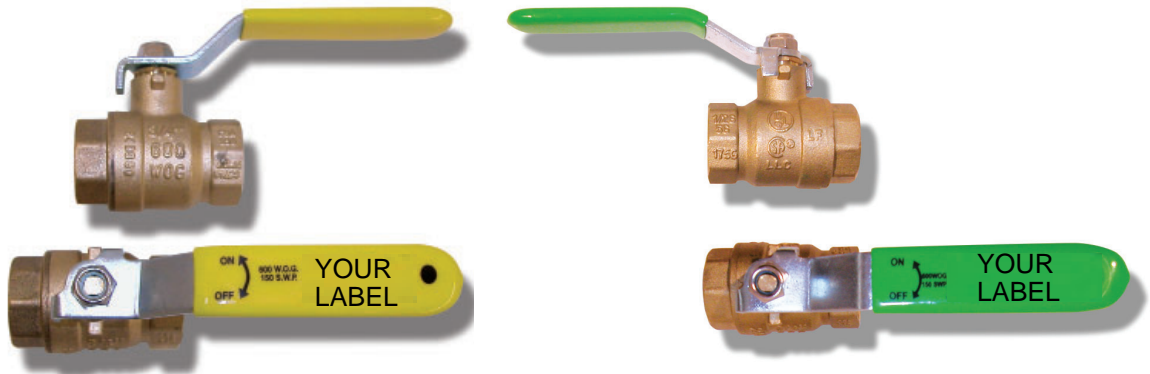
Ph: (505) 550-6501 & (505) 565-5102

Fx: (505) 814-5778

Email: [sales@agstech.net](mailto:sales@agstech.net)

Web: [www.agstech.net](http://www.agstech.net)

## ***PRIVATE LABEL VALVES***



# Table Of Contents

## BALL VALVES

<u>PAGE</u>	<u>DESCRIPTION</u>	
3	USA9101, SST9101	FORGED BRASS & STAINLESS STEEL TRIM BALL VALVE
4	BLF9101	LEAD FREE BRASS BALL VALVE
5	USA9201, SST9201	FORGED BRASS & STAINLESS STEEL TRIM BALL VALVE
6	BLF9201, BLFD9201	LEAD FREE BRASS BALL VALVE
7	USAD 9101, BLFD9101	FORGED BRASS & LEAD FREE BALL VALVE W/DRAIN
8	USAD9201, BLFD9201	FORGED BRASS & LEAD FREE BALL VALVE W/DRAIN
9	BSS2201, BSS2201LF	LARGE FORGED BRASS & LEAD FREE BALL VALVE
10	BTT2101, BTT2101LF	LARGE FORGED BRASS & LEAD FREE BALL VALVE
11	BV1000, LF1000	ECONOMY BALL VALVE
12	BV2000, LF2000	ECONOMY BALL VALVE
13	USBD9101,USBD9101LF, USBD9201, USBD9201LF	FORGED BRASS & LEAD FREE BALL VALVE W/HOSE THREAD AND CAP
14	GSCT8300	MINI GAS SHUTOFFS
15	GBV	FLARED GAS BALL VALVES

## SPECIALTY BALL VALVES

<u>PAGE</u>	<u>DESCRIPTION</u>	
16	COM1000, COM1000LF	FORGED BRASS & LEAD FREE COMPRESSION END VALVE
17	COMD1000, COMD1000LF	FORGED BRASS & LEAD FREE COMPRESSION END VALVE W/DRAIN
18	B-PRESS537LF, BPRESSXLC	LEAD FREE B-PRESS CRIMP END LEAD FREE
19	BPD537LF	FORGED LEAD FREE BRASS BALL VALVE
20	USA9291, USA9291LF	FORGED BRASS & LEAD FREE SWEAT BY FNPT
21	BMS0001, BMS0001LF	FORGED BRASS & LEAD FREE MNPT BY SWEAT
22	BMF1000, BMF1000LF	FORGED BRASS & LEAD FREE MNPT BY SWEAT
23	USAV7101	FORGED BRASS AUTOMATIC VENT
24	CR1000	FORGED BRASS PT PORT SIDE TAP
25	BPF930LF	LEAD FREE FORGED BRASS PUSH FIT BALL VALVE
26	PX001LF,PBXLF	LEAD FREE PEX BALL VALVES
27	F1960LF, STW0002LF	LEAD FREE PEX BALL VALVES, FORGED BRASS STOP & WASTE
28	MBV018, BRI14	FORGED BRASS 1/8" MINI VALVE
29	BTD0002, BTD0002LF	FORGED BRASS & LEAD FREE BOILER DRAIN
30	PSCLF, TSCLF, SSCLF	LEAD FREE FORGED BRASS CHROME SILLCOCK
31	PV1000, PV2000, PV3000	FORGED BRASS PURGE VALVE
32	FPV2000	FORGED BRASS CIRCULATOR VALVE,SWEAT W/PURGE
33	FLG1000	FORGED BRASS CIRCULATOR VALVE, NPT
34	FLG2000	FORGED BRASS CIRCULATOR VALVE, SWEAT
35	FPS1000, FPS2000	FORGED BRASS CIRCULATOR PURGE VALVE
36	FLG537, FPS37	FLANGED CIRCULATOR, FLANGED CIRCULATOR PURGE VALVE

## CONVENTIONAL VALVES

<u>PAGE</u>	<u>DESCRIPTION</u>	
37	GV3100, GV3100LF	FORGED BRASS BRASS GATE NPT, LEAD FREE FORGED BRASS BRASS GATE NPT
38	GV3200, GV3200LF	FORGED BRASS GATE SWEAT, LEAD FREE FORGED BRASS GATE SWEAT
39	CHV41000, CHV4100LF	FORGED BRASS SWING CHECK NPT, LEAD FREE FORGED BRASS SWING CHECK NPT
40	CHV4200, CHV4200LF	FORGED BRASS SWING CHECK SWEAT, LEAD FREE FORGED BRASS SWING CHECK SWEAT
41	SCV4100	FORGED BRASS NPT SPRING CHECK
42	BOD1000	FORGED BRASS BOILER DRAIN
43	STO3000	FORGED BRASS STOP & WASTE

## LAV STOPS & CONNECTORS

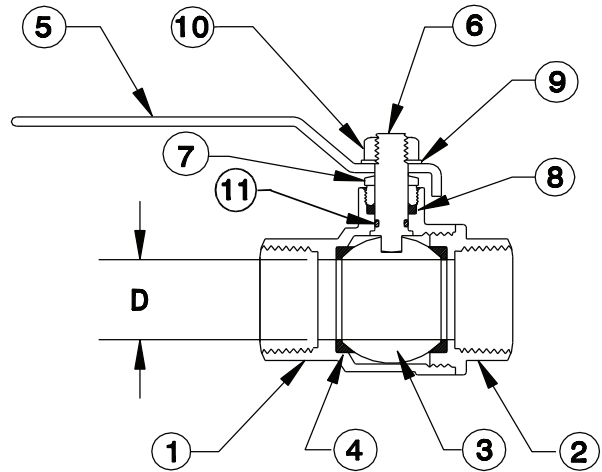
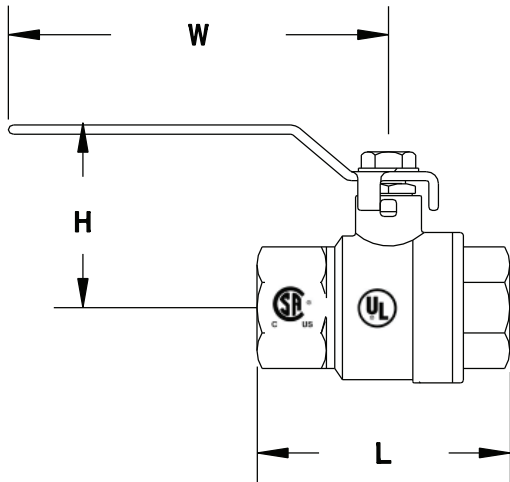
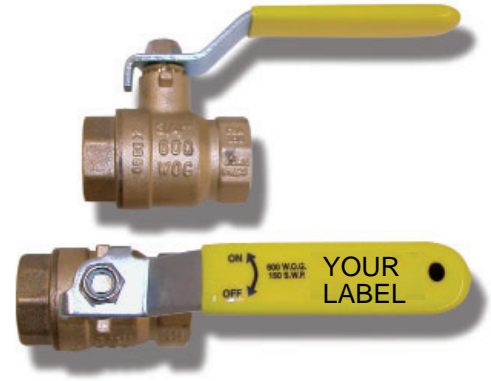
<u>PAGE</u>	<u>DESCRIPTION</u>	
44	WF121LF	LEAD FREE FORGED BRASS CHROME 1/4 TURN LAV STOP

## OPTIONS

<u>PAGE</u>	<u>DESCRIPTION</u>
45	HANDLE OPTIONS
46	PRIVATE LABEL

# USA9101 & SST9101 SERIES FORGED BRASS BALL VALVE

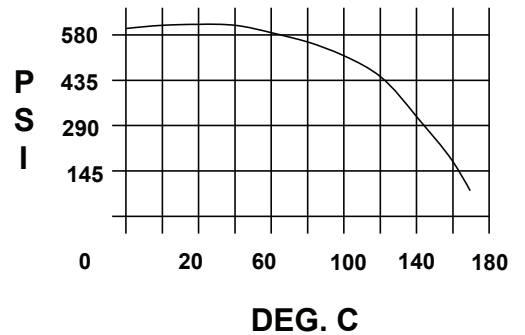
A forged brass quarter turn valve, 600 WOG / 150WSP rated, two piece, full port, with female NPT end connections. Valve conforms to WW-V-35, type II, style 3 and is CSA certified to ASME B16.33 "Manually Operated Metallic Gas Valves for use in gas piping systems up to 125 PSIG"



## DIMENSIONS

CAT. NO	CAT. NO	SIZE	L	D	H	W
USA0259101	SST0259101	1/4	1.70	.39	1.71	3.65
USA0389101	SST 0389101	3/8	1.70	.39	1.71	3.65
USA0509101	SST0509101	1/2	2.25	.59	1.80	3.65
USA0759101	SST0759101	3/4	2.52	.75	2.05	4.65
USA1009101	SST1009101	1	3.00	1.00	2.14	4.65
USA1259101	SST1259101	1 1/4	3.44	1.25	2.84	5.62
USA1509101	SST1509101	1 1/2	3.85	1.57	2.87	5.62
USA2009101	SST2009101	2	4.30	1.97	3.23	5.62

PRESS. VS. TEMP. CURVE



## MATERIALS

NO.	PART NAME	USA SERIES MATERIALS	SST SERIES MATERIALS
11	O-RING	BUNA-N	BUNA-N
10	NUT	ZINC PLATED STEEL	STANLESS STEEL
9	LOCK WASHER	ZINC PLATED STEEL	STANLESS STEEL
8	STEM PACKING	PTFE	PTFE
7	GLAND NUT	BRASS	BRASS
6	STEM	BRASS	TYPE 304 SST
5	HANDLE	ZINC PLTD STEEL, PLASTICOATED	STANLESS STEEL
4	SEAT	PTFE	PTFE
3	BALL	BRASS, CHROME PLTD.	TYPE 304 SST
2	END CAP	BRASS	BRASS
1	BODY	BRASS	BRASS

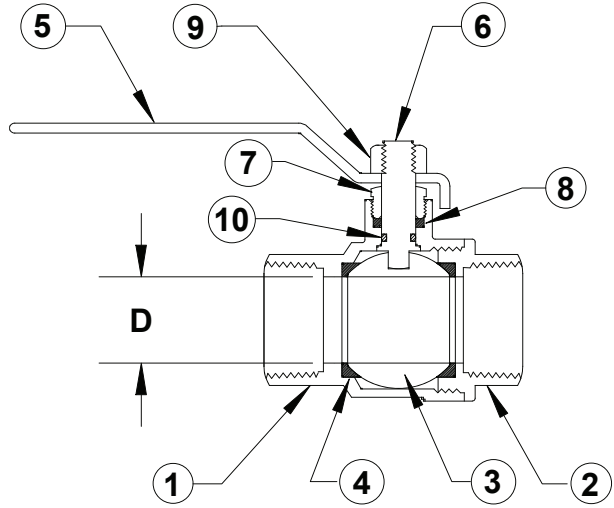
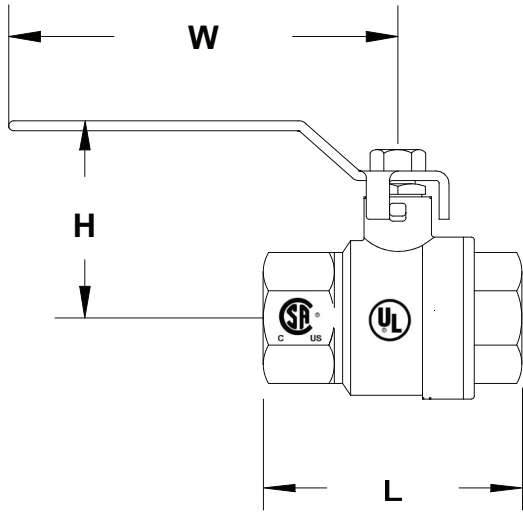
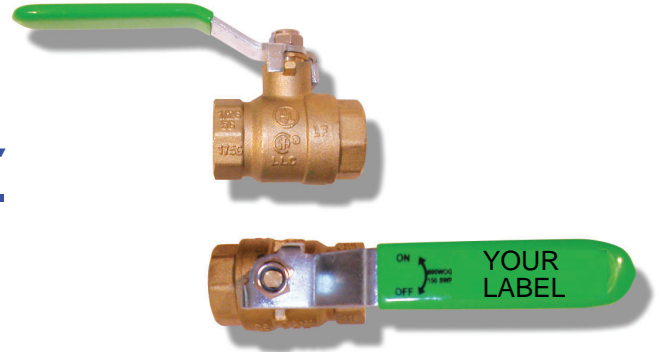
PRIVATE LABEL

# BLF9101 SERIES

## LEAD FREE

### FORGED BRASS BALL VALVE

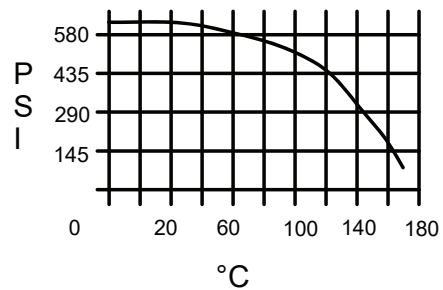
A forged brass quarter turn valve, 600 WOG / 150WSP rated, two piece, full port, with female NPT end connections. Valve is CSA certified to be lead free, and conform to CGA3.16 and ASME B16.33 for gas service.



### DIMENSIONS

CAT. NO.	SIZE	L	D	H	W
BLF0259101	1/4	1.67	.39	1.71	3.35
BLF0389101	3/8	1.72	.39	1.71	3.35
BLF0509101	1/2	2.13	.59	1.77	3.35
BLF0759101	3/4	2.36	.75	2.05	4.35
BLF1009101	1	2.80	.98	2.20	4.35
BLF1259101	1 1/4	3.29	1.26	2.50	5.65
BLF1509101	1 1/2	3.70	1.57	2.70	5.65
BLF2009101	2	4.13	1.97	3.23	5.65

PRESS. VS. TEMP. CURVE



### MATERIAL LIST

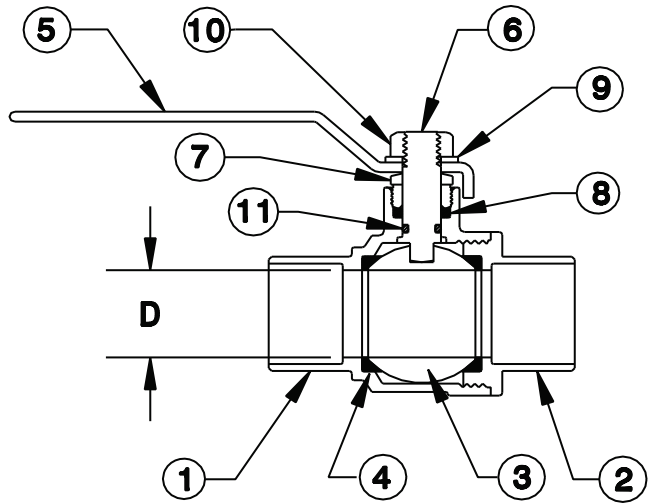
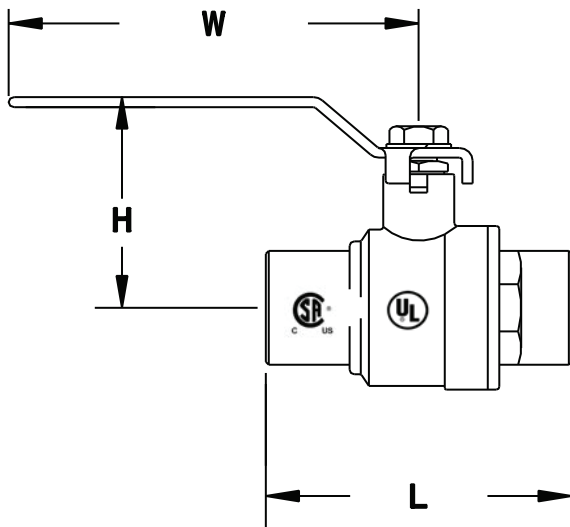
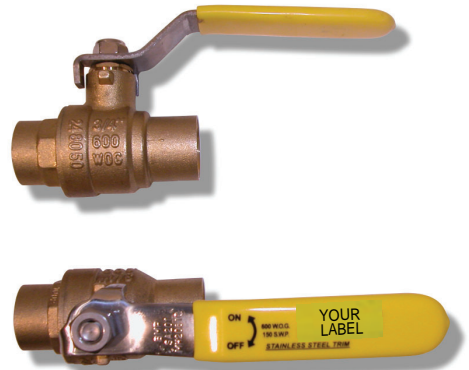
NO.	PART NAME	BLF SERIES
10	O-RING	VITON
9	NUT	ZINC PLATED STEEL
8	STEM PACKING	PTFE
7	GLAND NUT	BRASS C37700
6	STEM	TYPE 304 SST
5	HANDLE	ZINC PLATED STEEL, PLASTICOATED
4	SEAT	PTFE
3	BALL	TYPE 304 SST
2	END CAP	BRASS C46400
1	BODY	BRASS C46400

# PRIVATE LABEL



# USA9201 & SST9201 SERIES FORGED BRASS BALL VALVE

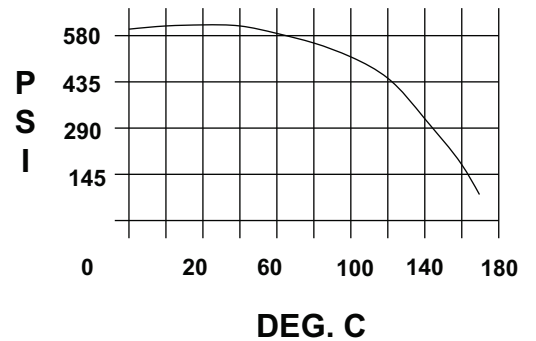
A forged brass quarter turn valve, 600 WOG/150WSP rated, two piece, full port, with solder joint end connections. Valve conforms to WW-V-35, type II, style 3 and is CSA certified to ASME A112.18.1



## DIMENSIONS

CAT. NO.	CAT. NO.	SIZE	L	D	H	W
USA0509201	SST0509201	1/2	2.21	.59	1.77	3.65
USA0759201	SST0759201	3/4	2.78	.75	2.05	4.65
USA1009201	SST1009201	1	3.27	1.00	2.14	4.65
USA1259201	SST1259201	1 1/4	4.06	1.25	2.84	5.62
USA1509201	SST1509201	1 1/2	4.30	1.57	2.87	5.62
USA2009201	SST2009201	2	5.31	1.97	3.23	5.62

PRESS. VS. TEMP. CURVE



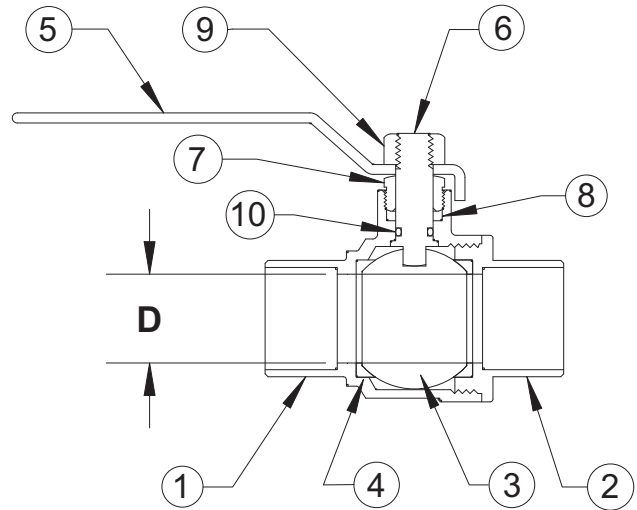
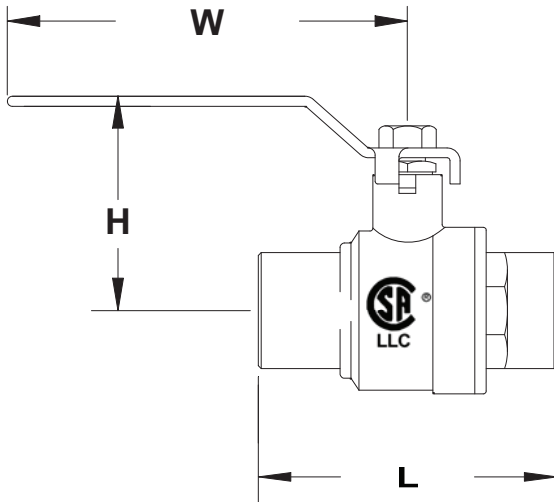
## MATERIALS

NO.	PART NAME	USA SERIES MATERIALS	SST SERIES MATERIALS
11	O-RING	BUNA-N	BUNA-N
10	NUT	ZINC PLATED STEEL	STAINLESS STEEL
9	LOCK WASHER	ZINC PLATED STEEL	STAINLESS STEEL
8	STEM PACKING	PTFE	PTFE
7	GLAND NUT	BRASS	BRASS
6	STEM	BRASS	TYPE 304 SST
5	HANDLE	ZINC PLATED STEEL, PLASTICOATED	STAINLESS STEEL
4	SEAT	PTFE	PTFE
3	BALL	BRASS, HARD CHROME PLATE	TYPE 304 SST
2	END CAP	BRASS	BRASS
1	BODY	BRASS	BRASS

PRIVATE LABEL

# BLF9201 SERIES LEAD FREE FORGED BRASS BALL VALVE

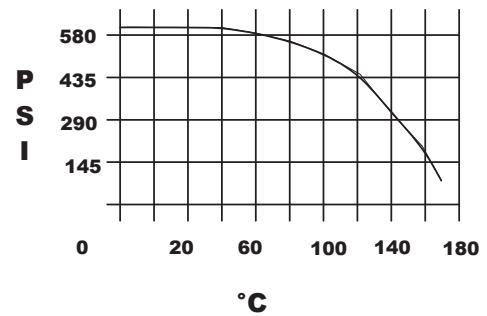
A forged brass quarter turn valve, rated 600 WOG, two piece, full port, with solder joint end connections. Valve conforms to and is CSA certified to ASME A112.18.1.



## DIMENSIONS

CAT. NO.	SIZE	L	D	H	W
BLF0509201	1/2	2.17	.59	1.77	3.35
BLF0759201	3/4	2.82	.75	2.05	4.35
BLF1009201	1	3.28	1.00	2.20	4.35
BLF1259201	1 1/4	4.06	1.25	2.50	5.65
BLF1509201	1 1/2	4.32	1.57	2.70	5.65
BLF2009201	2	5.45	1.97	3.23	5.65

## PRESS. VS. TEMP. CURVE



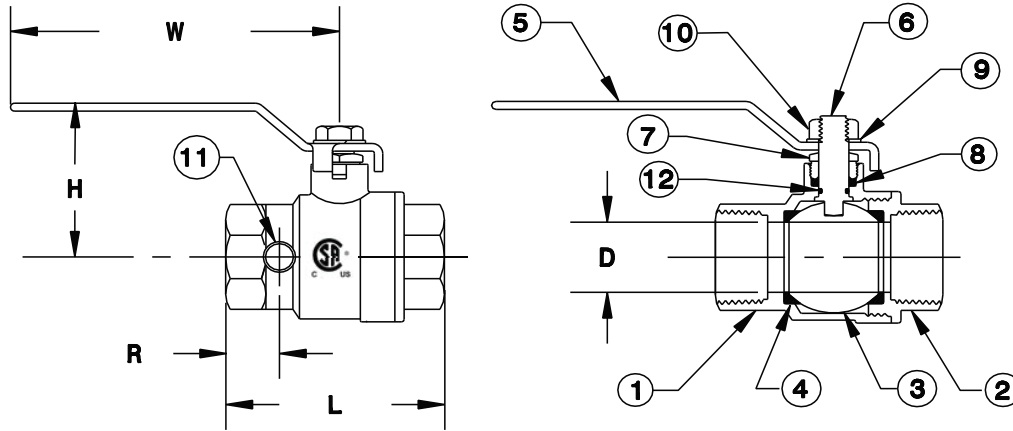
## MATERIAL LIST

NO.	PART NAME	BLF SERIES
10	O-RING	VITON
9	NUT	ZINC PLATED STEEL
8	STEM PACKING	PTFE
7	GLAND NUT	BRASS C37700
6	STEM	TYPE 304 SST
5	HANDLE	ZINC PLTD STEEL, PLASTICOATED
4	SEAT	PTFE
3	BALL	TYPE 304 SST
2	END CAP	BRASS C46400
1	BODY	BRASS C46400

PRIVATE LABEL

# USAD9101 & BLFD9101 SERIES DRAINABLE BALL VALVE

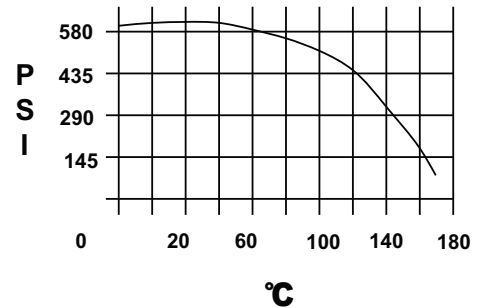
A Stop and Waste design, 600 WOG / 150 WSP rated, two piece, full port, forged brass valve with female NPT connections. Valve conforms to WW-V-35, type II, style 2.



## DIMENSIONS

CAT. NO.	CAT. NO.	SIZE	L	D	H	R	W
USAD0509101	BLFD0509101	1/2	2.22	.59	1.55	.63	3.65
USAD0759101	BLFD0759101	3/4	2.52	.75	1.90	.71	4.65
USAD1009101	BLFD1009101	1	3.00	1.00	2.17	.78	4.65

PRESS. VS. TEMP. CURVE



## MATERIALS

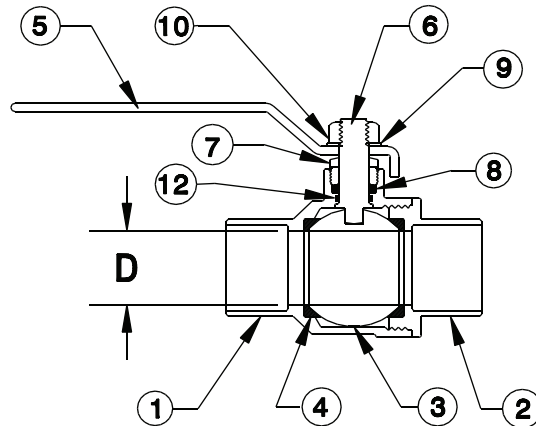
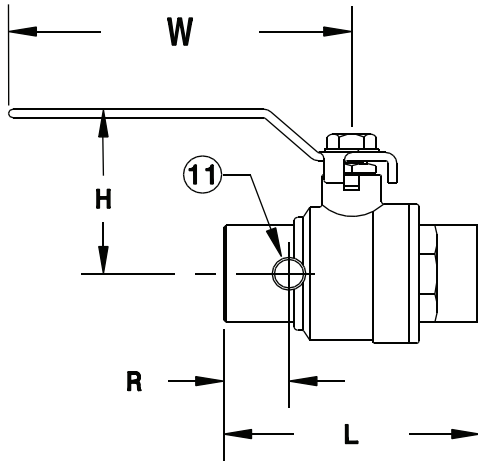
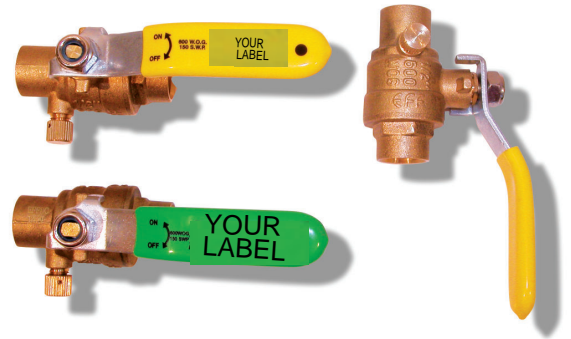
NO.	PART NAME	USAD SERIES MATERIALS	BLFD SERIES MATERIALS
12	O-RING	BUNA-N	BUNA-N
11	DRAIN CAP	BRASS	BRASS / BUNA-N
10	NUT	ZINC PLATED STEEL	STAINLESS STEEL
9	LOCK WASHER	ZINC PLATED STEEL	NYLON
8	STEM PACKING	PTFE	PTFE
7	GLAND NUT	BRASS	BRASS
6	STEM	BRASS	304 STAINLESS STEEL
5	HANDLE	ZINC PLATED STEEL, PLASTICOATED	ZINC PLATED STEEL, PLASTICOATED
4	SEAT	PTFE	PTFE
3	BALL	BRASS, HARD CHROME PLTD.	304 STAINLESS STEEL
2	END CAP	BRASS	BRASS C46400
1	BODY	BRASS	BRASS C46400

# PRIVATE LABEL

# USAD9201 & BLFD9201\* SERIES DRAINABLE BALL VALVE

A Stop and Waste design, 600 WOG / 150 WSP rated, two piece, full port, forged brass valve with solder joint end connections. Valve conforms to WW-V-35, type II, style 2.

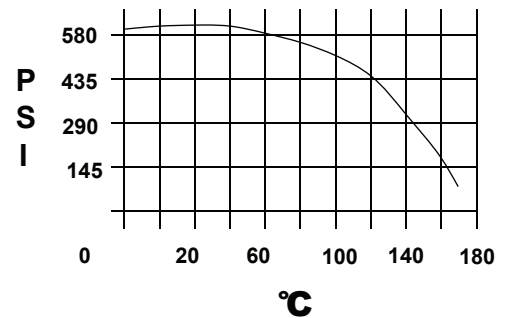
\* CSA approved.



## DIMENSIONS

CAT. NO.	CAT. NO.	SIZE	L	D	H	R	W
USAD0509201	BLFD0509201	1/2"	2.36	.59	1.49	.61	3.65
USAD0759201	BLFD0759201	3/4"	2.89	.75	1.88	.85	4.65
USAD1009201	BLFD1009201	1"	3.46	1.00	2.10	1.0	4.65

PRESS. VS. TEMP. CURVE

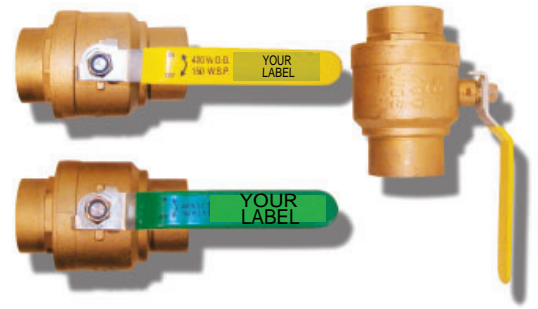


## MATERIALS

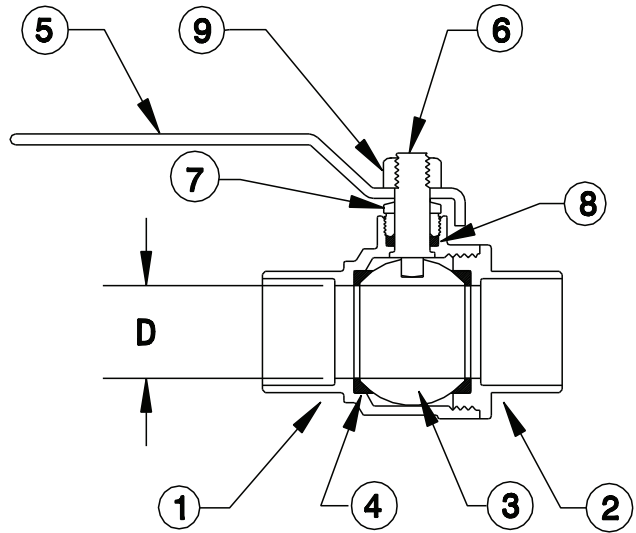
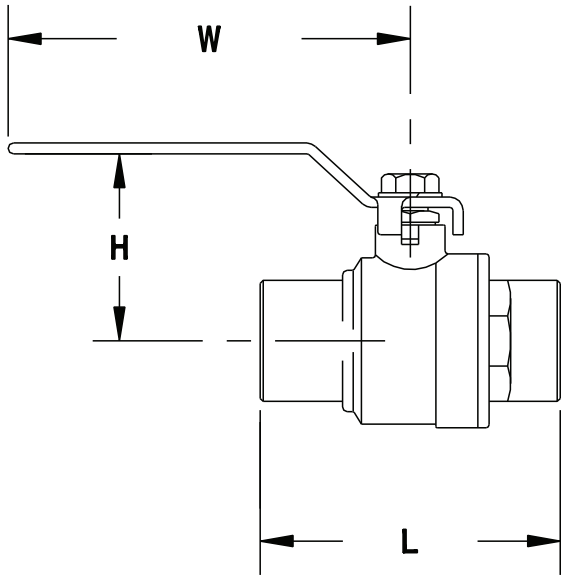
NO.	PART NAME	USBD SERIES MATERIALS	BLFD SERIES MATERIALS
12	O-RING	BUNA-N	BUNA-N
11	DRAIN CAP	BRASS	BRASS / BUNA-N
10	NUT	ZINC PLATED STEEL	STAINLESS STEEL
9	LOCK WASHER	ZINC PLATED STEEL	NYLON
8	STEM PACKING	PTFE	PTFE
7	GLAND NUT	BRASS	BRASS
6	STEM	BRASS	BRASS
5	HANDLE	ZINC PLATED STEEL, PLASTICOATED	ZINC PLATED STEEL, PLASTICOATED
4	SEAT	PTFE	PTFE
3	BALL	BRASS, HARD CHROME PLTD.	304 STAINLESS STEEL
2	END CAP	BRASS	BRASS C46400
1	BODY	BRASS	BRASS C46400

PRIVATE LABEL

# BSS2201 & BSS2201LF SERIES LARGE BALL VALVE



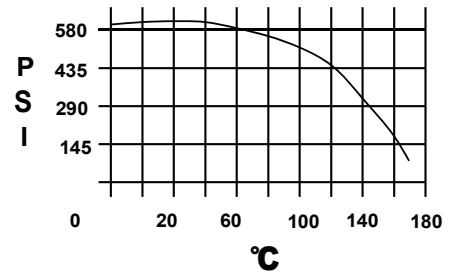
A quarter turn brass valve with solder joint end connections, Valve conforms to WW-V-35, type II, style 3. Rated 400 WOG /150 WSP.



## DIMENSIONS

CAT. NO.	CAT. NO.	SIZE	L	D	H	W
BSS2502201	BSS2502201LF	2 1/2	6.37	2.52	4.65	9.62
BSS3002201	BSS3002201LF	3	7.16	2.95	5.00	9.62
BSS4002201	BSS4002201LF	4	9.22	3.90	5.62	10.5

PRESS. VS. TEMP. CURVE



## MATERIAL LIST

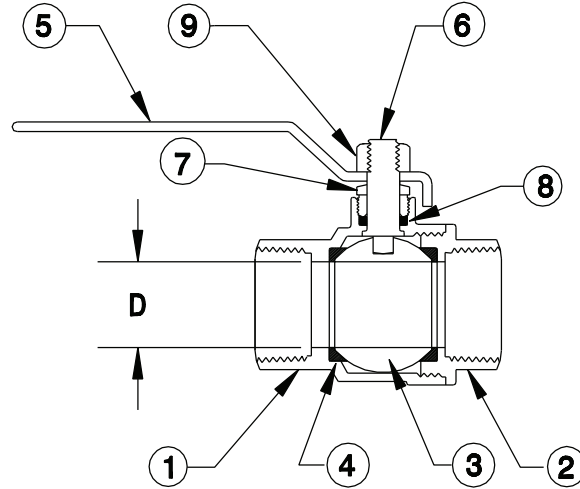
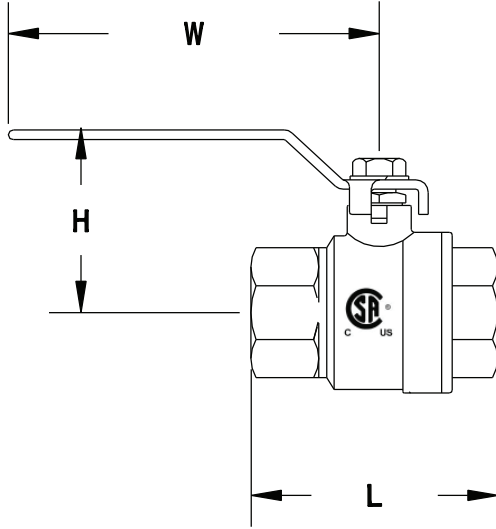
NO.	PART NAME	BSS SERIES MATERIALS	BSSLF SERIES MATERIALS
11	O-RING	BUNA-N	BUNA-N
10	THREAD LOCK	NYLON	NYLON
9	NUT	ZINC PLATED STEEL	STAINLESS STEEL
8	STEM PACKING	PTFE	PTFE
7	GLAND NUT	BRASS	BRASS
6	STEM	BRASS	304 STAINLESS STEEL
5	HANDLE	ZINC PLATED STEEL, PLASTICOATED	CHROME PLT. STEEL, PLASTICOATED
4	SEAT	PTFE	PTFE
3	BALL	BRASS, HARD CHROME PLTD.	304 STAINLESS STEEL
2	END CAP	BRASS	BRASS C46400
1	BODY	BRASS	BRASS C46400

# PRIVATE LABEL

# ***BTT2101 & BTT2101LF*** ***SERIES*** ***LARGE BALL VALVE***



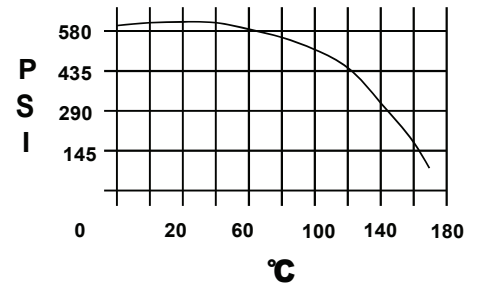
A quarter turn brass ball valve with female NPT end connections. Valve conforms to WW-V-35, type II, style 3. Rated 400 WOG /150 WSP, CSA certified to ASME B16.33 "Manually Operated Metallic Gas Valves for Gas Piping Systems up to 125 PSIG".



## **DIMENSIONS**

CAT. NO.	CAT. NO.	SIZE	L	D	H	W
BTT2502101	BTT2502101LF	2 1/2	5.38	2.52	4.65	9.62
BTT3002101	BTT3002101LF	3	5.83	2.95	5.00	9.62
BTT4002101	BTT4002101LF	4	7.31	3.90	5.62	10.5

PRESS. VS. TEMP. CURVE



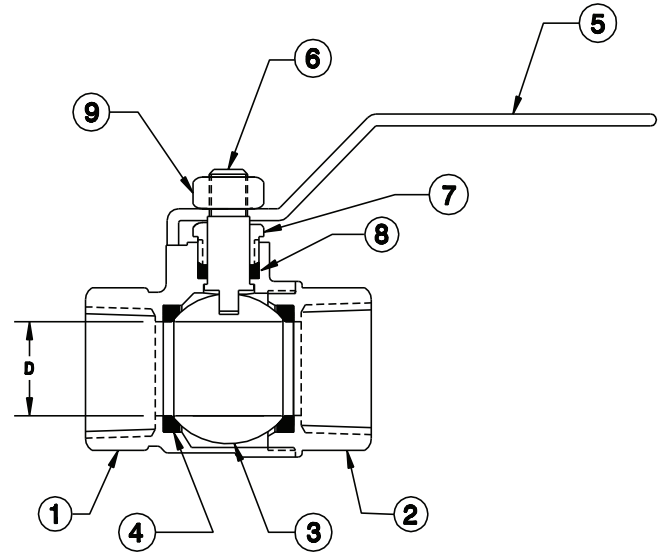
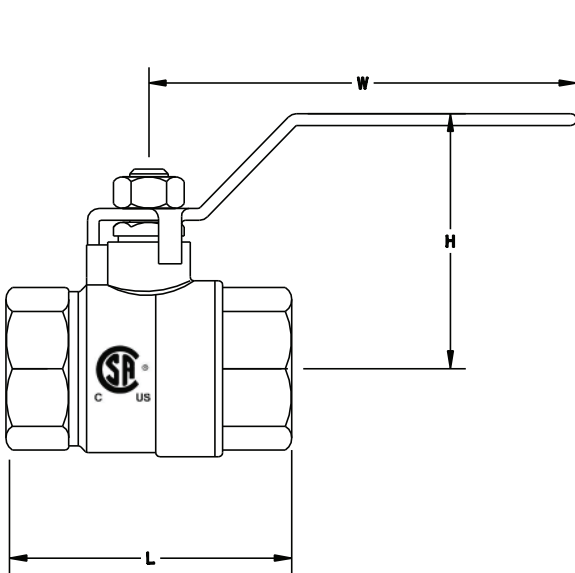
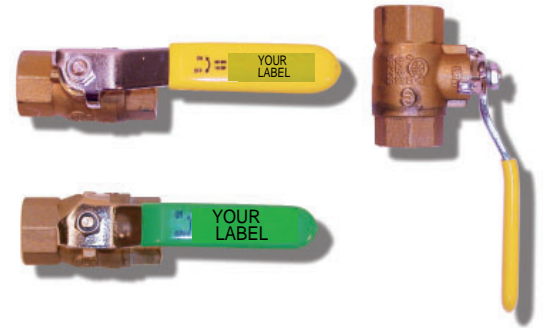
## **MATERIAL LIST**

NO.	PART NAME	BTT SERIES MATERIALS	BTTLF SERIES MATERIALS
11	O-RING	BUNA-N	BUNA-N
10	LOCK WASHER	STEEL, ZINC PLATED	NYLON
9	NUT	STEEL, ZINC PLATED	STAINLESS STEEL
8	STEM PACKING	PTFE	PTFE
7	GLAND NUT	BRASS	BRASS
6	STEM	BRASS	304 STAINLESS STEEL
5	HANDLE	STEEL, ZINC PLATED, PLASTICOATED	STEEL, ZINC PLATED PLASTICOATED
4	SEAT	PTFE	PTFE
3	BALL	BRASS, HARD CHROME PLTD.	304 STAINLESS STEEL
2	END CAP	BRASS	BRASS C46400
1	BODY	BRASS	BRASS C46400

# **PRIVATE LABEL**

# BV1000 & LF1000 SERIES ECONOMY BALL VALVE

A good quality, CSA approved, full port, imported ball valve with NPT end connections. Rated at 600 WOG.



## DIMENSIONS

CAT. NO.	CAT. NO.	SIZE	L	D	H	W
BV0501000	LF0501000	1/2	2.21	.55	1.81	3.74
BV0751000	LF0751000	3/4	2.40	.75	2.00	4.33
BV1001000	LF1001000	1	2.93	.95	2.25	4.33
BV1251000	LF1251000	1 1/4	3.23	1.23	2.80	5.31
BV1501000	LF1501000	1 1/2	3.70	1.50	3.00	5.31
BV2001000	LF2001000	2	4.33	1.94	3.37	6.25

## MATERIALS

NO.	PART NAME	BV SERIES MATERIALS	LF SERIES MATERIALS
9	NUT	BRASS	STEEL, ZINC PLATED
8	STEM PACKING	PTFE	PTFE
7	GLAND NUT	BRASS	BRASS CW617N
6	STEM	BRASS	BRASS CW617N
5	HANDLE	ZINC PLATED STEEL, PLASTICOATED	CHROME PLATED STEEL, PLASTIC
4	SEAT	PTFE	PTFE
3	BALL	BRASS, HARD CHROME PLTD.	BRASS C46500 CHROME PLATED
2	END CAP	BRASS	BRASS C46500
1	BODY	BRASS	BRASS C46500

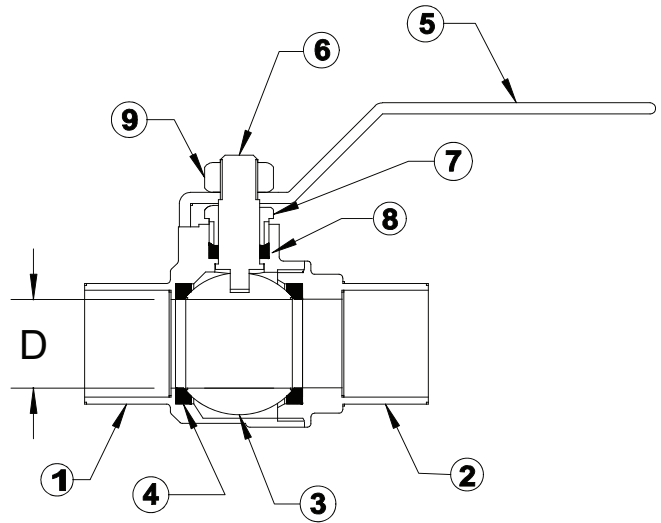
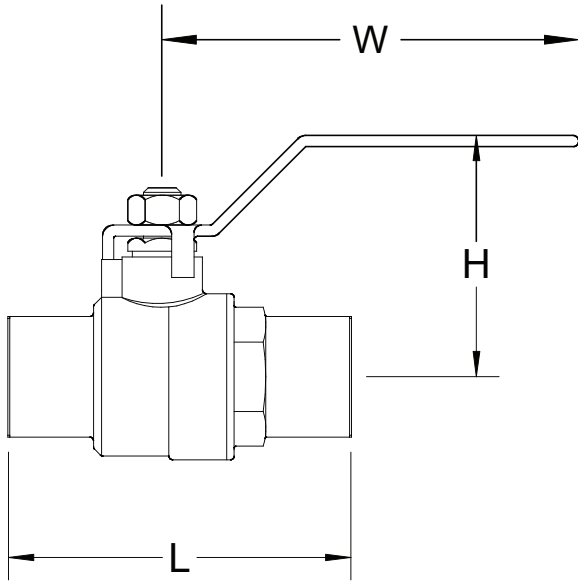
# PRIVATE LABEL



# BV2000\* & LF2000\*\* SERIES ECONOMY BALL VALVE

\* A good quality, full port, imported ball valve with solder joint end connections. Rated at 600 WOG.

\*\* A good quality, CSA approved, full port, imported ball valve with solder joint end connections. Rated at 600 WOG.



## DIMENSIONS

CAT. NO.	CAT. NO.	SIZE	L	D	H	W
BV0502000	LF0502000	1/2	2.31	.55	1.81	3.74
BV0752000	LF0752000	3/4	3.00	.75	2.00	4.33
BV1002000	LF1002000	1	3.62	.95	2.25	4.33
BV1252000	LF1252000	1 1/4	4.08	1.23	2.80	5.31
BV1502000	LF1502000	1 1/2	4.67	1.50	3.00	5.31
BV2002000	LF2002000	2	5.71	1.94	3.37	6.25

## MATERIALS

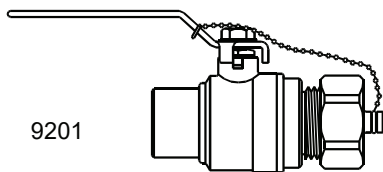
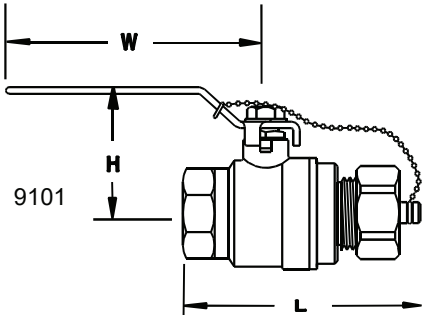
NO.	PART NAME	BV SERIES MATERIAL	LF SERIES MATERIAL
9	NUT	STEEL, ZINC PLATED	STEEL, ZINC PLATED
8	STEM PACKING	PTFE	PTFE
7	GLAND NUT	BRASS	BRASS CW617N
6	STEM	BRASS	BRASS CW617N
5	HANDLE	ZINC PLATED STEEL, PLASTICOATED	CHROME PLATED STEEL, PLASTIC
4	SEAT	PTFE	PTFE
3	BALL	BRASS, HARD CHROME PLTD.	BRASS C64500, CHROME PLATED
2	END CAP	BRASS	BRASS C64500
1	BODY	BRASS	BRASS C64500

# PRIVATE LABEL



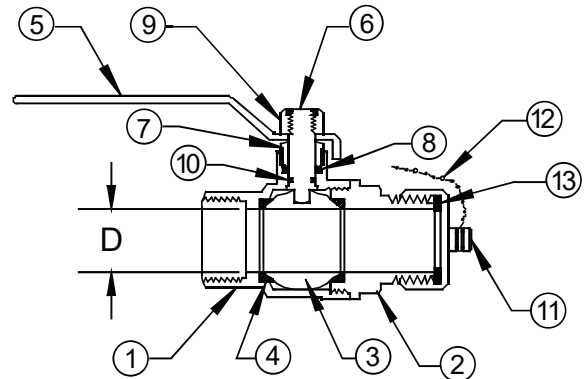
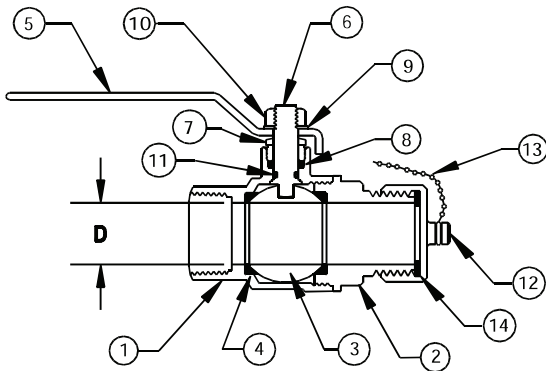
# USBD9101, USBD9101LF USBD9201, USBD9201LF SERIES HOSE THREAD AND CAP

A two piece, full port, forged brass ball valve, with 3/4 national hose thread by female NPT or copper sweat connection. Supplied with chain attached brass cap.



## DIMENSIONS

CAT. NO.	CAT. NO.	SIZE	L	D	H	W
USBD0509101	USBD0509101LF	1/2	3.13	.59	1.87	3.65
USBD0759101	USBD0759101LF	3/4	3.41	.75	2.19	4.65
USBD1009101	USBD1009101LF	1	3.67	1.00	2.32	4.65
USBD0509201	USBD0509201LF	1/2	3.06	.59	1.87	3.65
USBD0759201	USBD0759201LF	3/4	3.53	.75	2.19	4.65
USBD1009201	USBD1009201LF	1	3.81	1.00	2.32	4.65



## USBD SERIES MATERIALS

NO.	PART NAME	USBD SERIES MATERIALS
14	GASKET	BUNA-N
13	CHAIN	STAINLESS STEEL
12	CAP/ COVER	BRASS
11	O-RING	BUNA-N
10	NUT	ZINC PLATED STEEL
9	LOCK WASHER	ZINC PLATED STEEL
8	STEM PACKING	PTFE
7	GLAND NUT	BRASS
6	STEM	BRASS
5	HANDLE	ZINC PLTD STEEL, PLASTICOATED
4	SEAT	PTFE
3	BALL	BRASS, CHROME PLTD.
2	END PIECE	BRASS
1	BODY	BRASS

## USBD LF SERIES MATERIAL

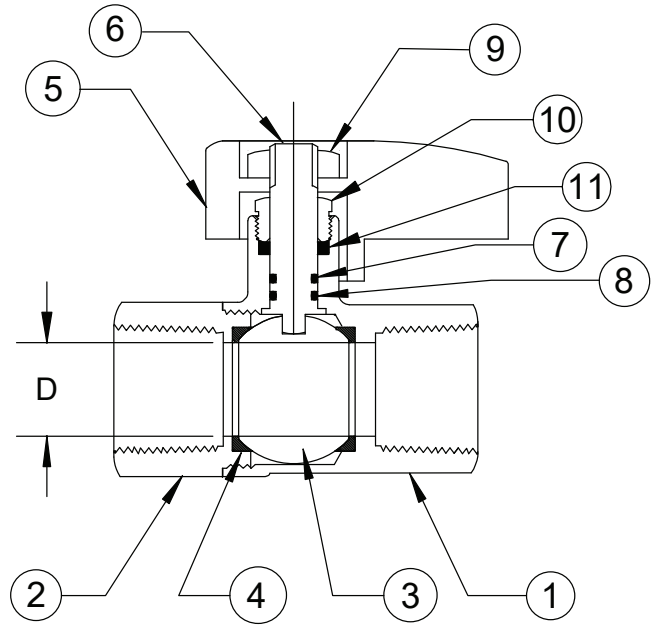
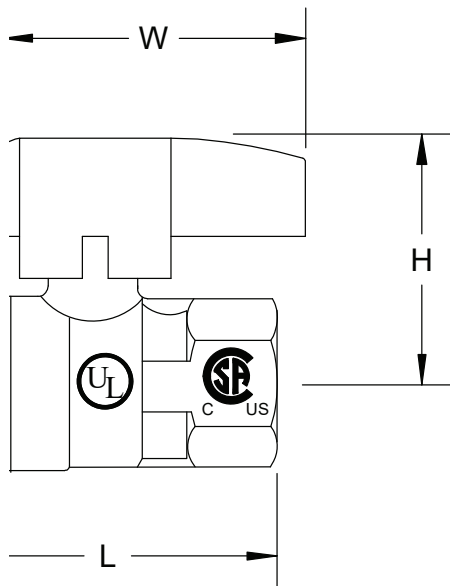
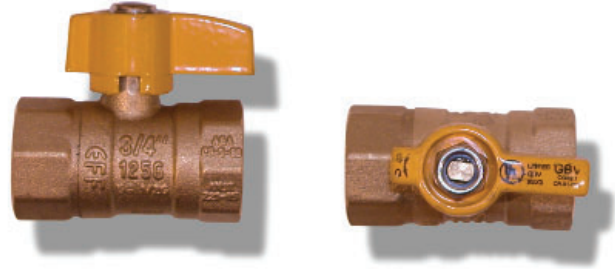
NO.	PART NAME	MATERIAL
13	GASKET	BUNA-N
12	CHAIN	STAINLESS STEEL
11	CAP	BRASS C46400
10	O-RING	BUNA-N
9	NUT	STAINLESS STEEL, NYLON
8	STEM PACKING	PTFE
7	GLAND NUT	BRASS
6	STEM	BRASS
5	HANDLE	STEEL, ZINC PLATED, PLASTICOATED
4	SEAT	PTFE
3	BALL	304 STAINLESS STEEL
2	END CAP	BRASS C46400
1	BODY	BRASS C46400

PRIVATE LABEL

# ***GSCT8300 SERIES***

## ***MINI GAS SHUTOFFS***

A standard port gas supply shut off with aluminum tee handle. CSA/ UL approved for 1/2 , 5 & 125 PSIG service. Certified to ASME B16.33, ANSI Z21-15, AGA 3-88, and CGA 3.16-M88, CR-91-002.



### **DIMENSIONS**

CAT. NO.	SIZE	L	D	H	W
<b>GSCT0508302</b>	<b>1/2</b>	<b>2.16</b>	<b>.47</b>	<b>1.55</b>	<b>2</b>
<b>GSCT0758302</b>	<b>3/4</b>	<b>2.41</b>	<b>.59</b>	<b>1.68</b>	<b>2</b>
<b>GSCT1008302</b>	<b>1</b>	<b>2.93</b>	<b>.79</b>	<b>1.82</b>	<b>2</b>

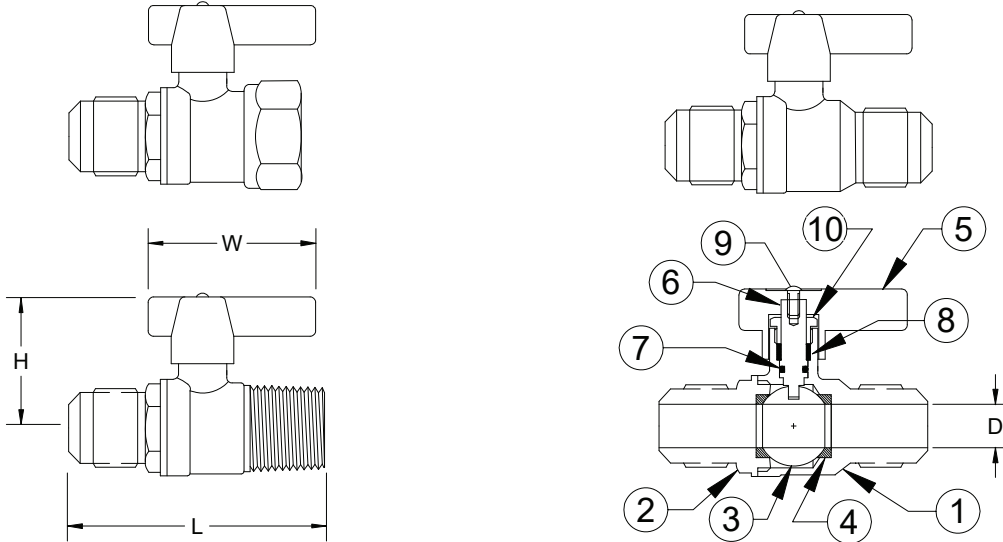
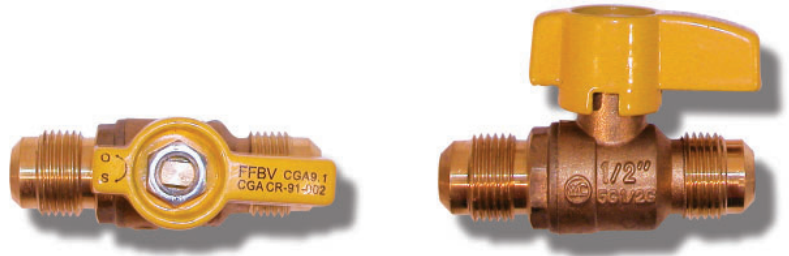
### **MATERIALS**

NO.	PART NAME	MATERIAL
11	PACKING	PTFE
10	GLAND NUT	BRASS
9	NUT	STEEL, ZINC PLATED
8	O-RING	VITON
7	O-RING	NBR
6	STEM	BRASS
5	HANDLE	ALUMINUM, PAINTED YELLOW
4	SEAT	PTFE
3	BALL	BRASS, HARD CHROME PLTD.
2	END CAP	BRASS
1	BODY	BRASS

**PRIVATE LABEL**

# GBV SERIES FLARED GAS BALL VALVES

A 45° flare connection ball valve with CSA & UL approvals for ANSI Z21.15 / CGA 9.1, CGA CR91-002, AGA CR-3-88. Valves may be used for 1/2 & 5 PSIG.



## DIMENSIONS

CAT. NO.	SIZE	L	D	H	W
GBV050-FF	1/2	2.72	.39	1.34	2
GBV050-FL	1/2	2.50	.39	1.34	2
GBV050-FM	1/2	2.50	.39	1.34	2

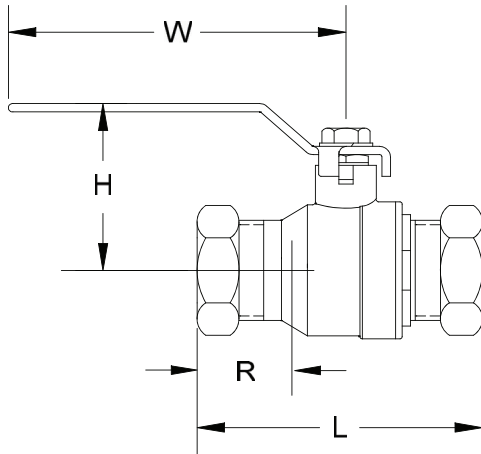
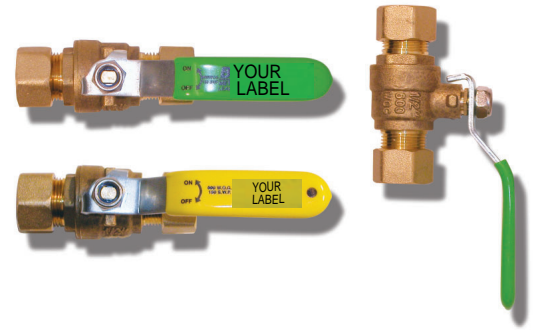
## MATERIALS

NO.	PART NAME	MATERIAL
10	GLAND NUT	BRASS
9	SCREW	STEEL, ZINC PLATED
8	PACKING	PTFE
7	O-RING	VITON
6	STEM	BRASS
5	HANDLE	ALUMINUM
4	SEAT	PTFE
3	BALL	BRASS, HARD CHROME PLTD.
2	END CAP	BRASS
1	BODY	BRASS

PRIVATE LABEL

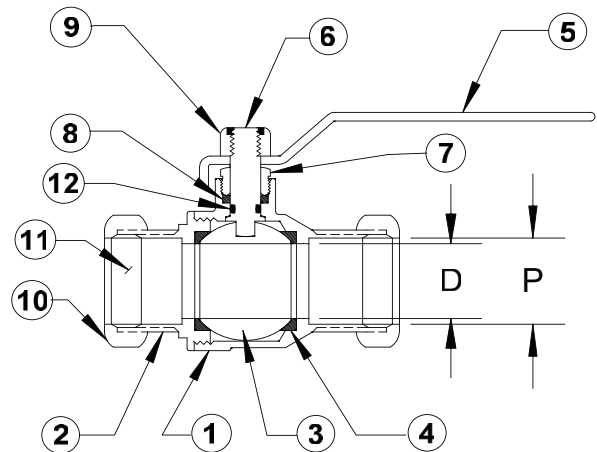
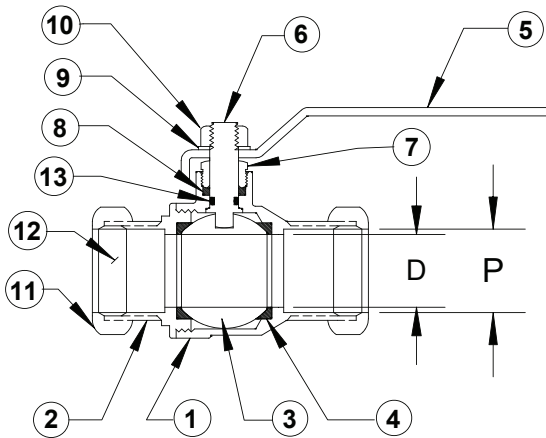
# COM1000 & COM1000LF SERIES COMPRESSION VALVE

A high quality stop and waste, full port, forged brass ball valve with compression end connections.



## DIMENSIONS

CAT. NO.	CAT. NO.	SIZE	L	D	H	W	P
COM0501000	COM0501000LF	1/2	2.82	.59	1.77	3.65	.625
COM0751000	COM0751000LF	3/4	3.23	.75	2.05	4.65	.875
COM1001000	COM1001000LF	1	3.75	1.00	2.14	4.65	1.125



## COM1000 SERIES MATERIAL LIST

NO.	PART NAME	MATERIAL
13	O-RING	BUNA-N
12	FERRULE	BRASS
11	COMPRESSION NUT	BRASS
10	NUT	STEEL, ZINC PLATED
9	LOCK WASHER	STEEL, ZINC PLATED
8	STEM PACKING	PTFE
7	GLAND NUT	BRASS
6	STEM	BRASS
5	HANDLE	ZINC PLATED STEEL, PLASTICOATED
4	SEAT	PTFE
3	BALL	BRASS, HARD CHROME PLTD.
2	END CAP	BRASS
1	BODY	BRASS

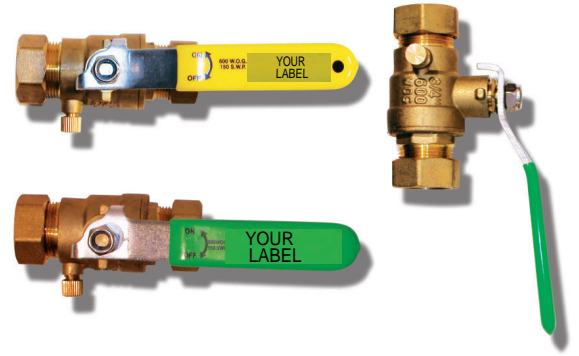
## COM1000LF SERIES MATERIAL LIST

NO.	PART NAME	MATERIAL
12	O-RING	BUNA-N
11	FERRULE	BRASS
10	COMPRESSION NUT	BRASS
9	NUT	STEEL, NYLON
8	STEM PACKING	PTFE
7	GLAND NUT	BRASS
6	STEM	BRASS
5	HANDLE	ZINC PLATED STEEL, PLASTICOATED
4	SEAT	PTFE
3	BALL	BRASS, HARD CHROME PLTD.
2	END CAP	BRASS C46400
1	BODY	BRASS C46400

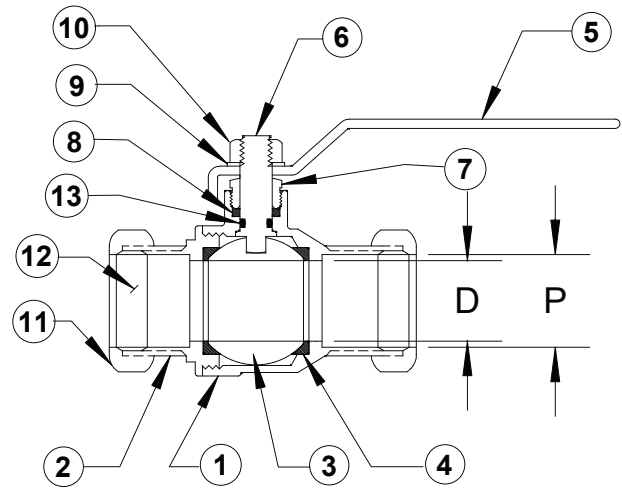
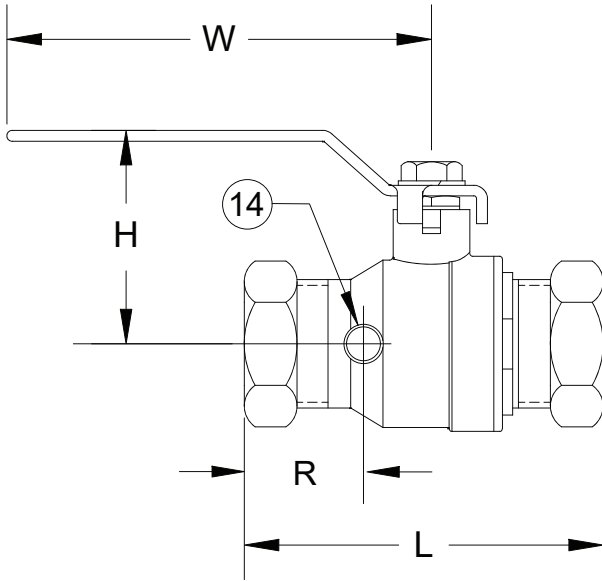
PRIVATE LABEL

# COMD1000 & COMD1000LF SERIES COMPRESSION VALVE

A high quality stop and waste, full port, forged brass ball valve with compression end connections.



PRIVATE LABEL



## DIMENSIONS

CAT. NO.	CAT. NO.	SIZE	L	D	H	W	P	R
COMD0501000	COMD0501000LF	1/2	2.82	.59	1.77	3.65	.625	.90
COMD0751000	COMD0751000LF	3/4	3.23	.75	2.05	4.65	.875	1.10

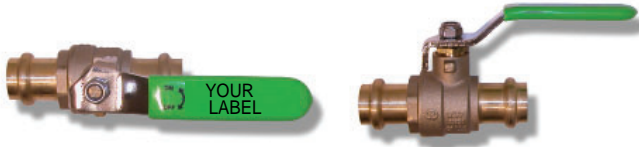
## MATERIAL LIST

NO.	PART NAME	COMD1000 SERIES MATERIAL	COMD1000LF SERIES MATERIAL
14	DRAIN CAP	BRASS / BUNA-N	BRASS / BUNA-N
13	O-RING	BUNA-N	BUNA-N
12	FERRULE	BRASS	BRASS
11	COMPRESSION NUT	BRASS	BRASS
10	NUT	STEEL, ZINC PLATED	STEEL, ZINC PLATED
9	LOCK WASHER	STEEL, ZINC PLATED	STEEL, ZINC PLATED
8	STEM PACKING	PTFE	PTFE
7	GLAND NUT	BRASS	BRASS
6	STEM	BRASS	BRASS
5	HANDLE	ZINC PLATED STEEL, PLASTICOATED	ZINC PLATED STEEL, PLASTICOATED
4	SEAT	PTFE	PTFE
3	BALL	BRASS, HARD CHROME PLTD.	BRASS, HARD CHROME PLTD.
2	END CAP	BRASS	BRASS
1	BODY	BRASS	BRASS

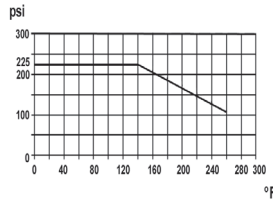
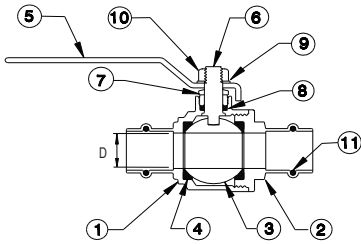
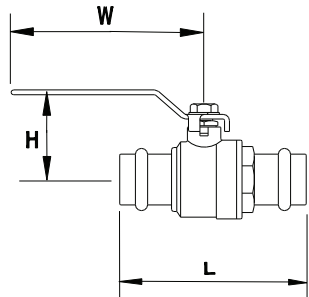
PRIVATE LABEL

# B-PRESS537LF, B-PRESS XLC SERIES FORGED LEAD FREE BRASS BALL VALVE

A full port, quarter turn ball valve. Ready for cold press installation. no fitting required. no welding, soldering or brazing required. Sizes 1/2" to 4".



## 1/2" TO 2" STANDARD

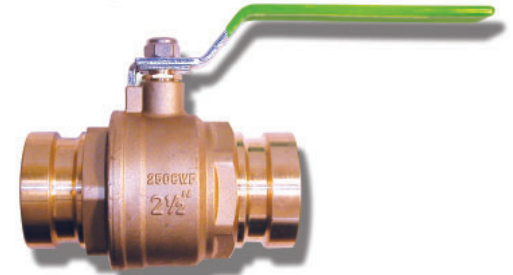
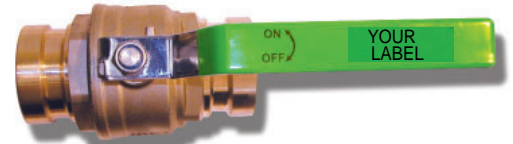


## DIMENSIONS

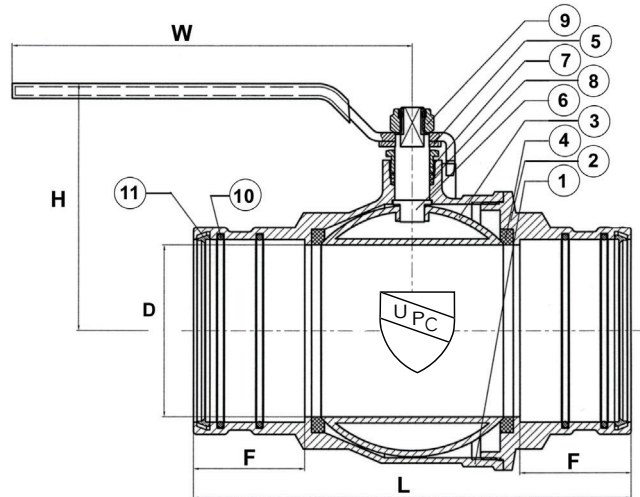
CAT. NO.	SIZE	L	H	W	D
BP050537LF	1/2	3.07	2.05	3.66	.59
BP075537LF	3/4	3.62	2.20	3.66	.81
BP100537LF	1	3.86	2.64	4.41	.99
BP125537LF	1 1/4	4.30	2.76	4.41	1.18
BP150537LF	1 1/2	5.12	3.07	5.63	1.45
BP200537LF	2	5.99	3.39	5.63	1.88
BP250537LF	2 1/2	8.74	4.69	11.07	2.55
BP300537LF	3	9.45	5.14	11.07	3.07
BP400537LF	4	10.12	5.64	11.07	3.94

## MATERIAL LIST

NO.	PART NAME	MATERIALS
11	O-RING	EPDM
10	NUT	ZINC PLATED STEEL
9	LOCK WASHER	ZINC PLATED STEEL
8	STEM PACKING	PTFE
7	GLAND NUT	BRASS
6	STEM	BRASS
5	HANDLE	ZINC PLATED STEEL, PLASTICOATED
4	SEAT	PTFE
3	BALL	BRASS, CHROME PLATED, EN 12164
2	END CAP	HOT FORGED BRASS EN 12165-CW602N
1	BODY	HOT FORGED BRASS EN 12165-CW602N



## XLC 2 1/2" TO 4"



## DIMENSIONS

CAT. NO.	SIZE	L	D	H	W	F
BP250XLCLF	2 1/2	7.03	2.52	4.55	9.05	1.85
BP300XLCLF	3	8.19	2.95	4.89	9.05	2.16
BP400XLCLF	4	9.90	3.90	5.59	9.05	2.52

## MATERIAL LIST

NO.	PART NAME	MATERIAL
11	LOCKING RING	304 SST
10	O-RING	EPDM
9	LOCK NUT	304 SST
8	STEM PACKING	PTFE
7	GLAND NUT	BRASS, HPb59-3
6	STEM	BRASS, HPb59-3
5	HANDLE	ZINC PLATED STEEL, PLASTICOATED
4	SEAT	PTFE
3	BALL	304 SST
2	END CAP	FORGED LEAD FREE BRASS, C46500
1	BODY	FORGED LEAD FREE BRASS, C46500

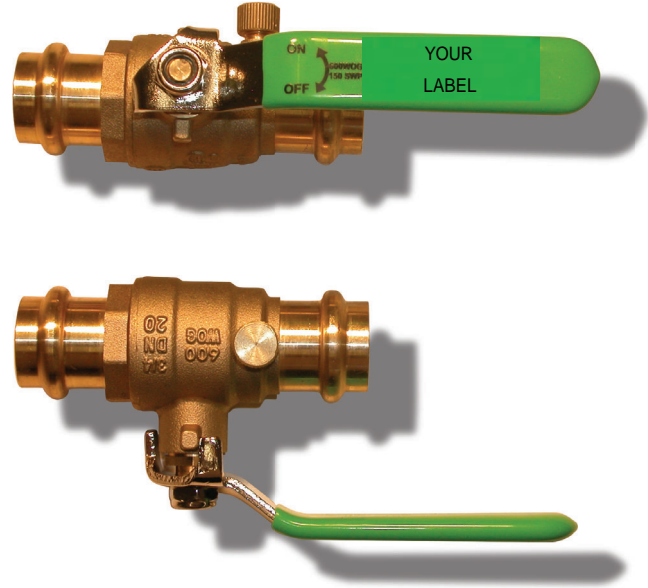
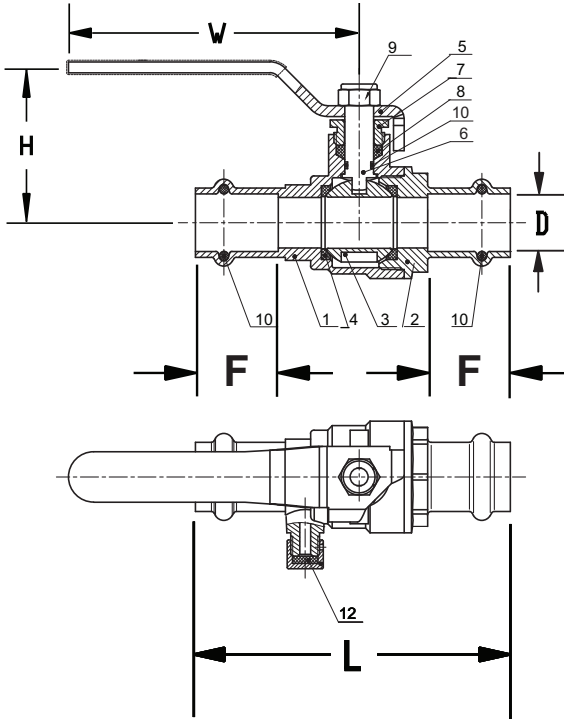
PRIVATE LABEL



# BPD537LF SERIES

## FORGED LEAD FREE BRASS BALL VALVE WITH DRAIN

A full port, quarter turn ball valve with drain.  
 Ready for cold press installation. no fitting required.  
 no welding, soldering or brazing required. Sizes 1/2", 3/4 and 1".

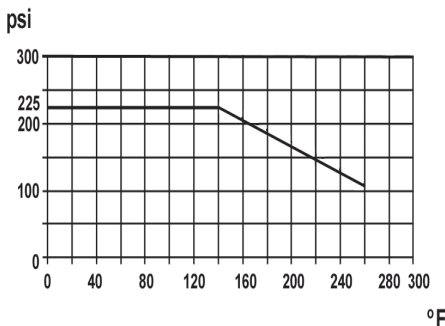


### DIMENSIONS

CAT. NO.	SIZE	L	D	H	W	F
<b>BPD050537LF</b>	<b>1/2</b>	<b>3.43</b>	<b>.62</b>	<b>2.00</b>	<b>3.50</b>	<b>.90</b>
<b>BPD075537LF</b>	<b>3/4</b>	<b>3.75</b>	<b>.87</b>	<b>2.25</b>	<b>4.00</b>	<b>1.062</b>
<b>BPD100537LF</b>	<b>1</b>	<b>4.18</b>	<b>1.12</b>	<b>2.25</b>	<b>4.18</b>	<b>1.062</b>

### MATERIAL LIST

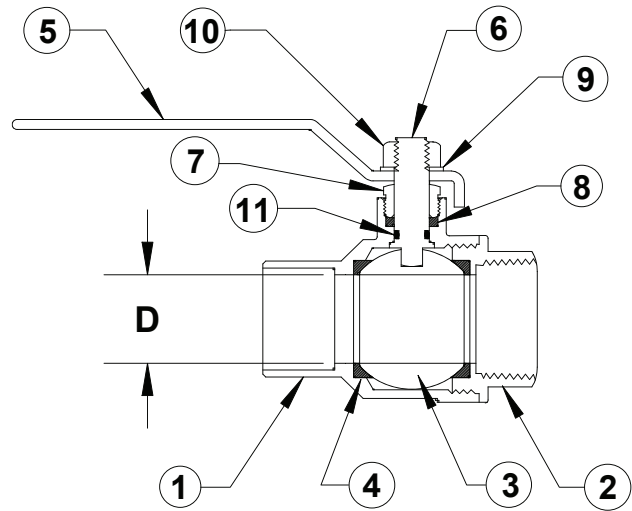
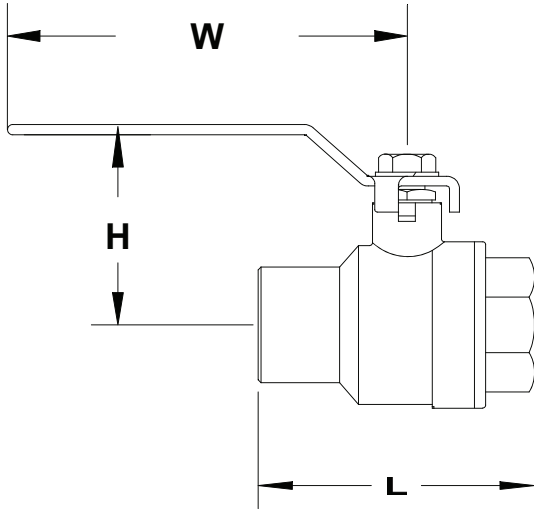
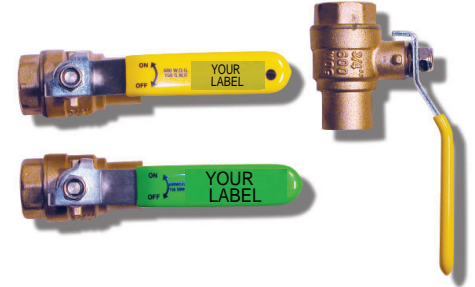
NO.	PART NAME	MATERIAL
11	DRAIN CAP	BRASS
10	O-RING	EPDM
9	LOCK NUT	304 SST
8	STEM PACKING	PTFE
7	GLAND NUT	BRASS, HPb59-3
6	STEM	BRASS, HPb59-3
5	HANDLE	ZINC PLATED STEEL, PLASTICOATED
4	SEAT	PTFE
3	BALL	304 SST
2	END CAP	FORGED BRASS, C46500
1	BODY	FORGED BRASS, C46500



PRIVATE LABEL

# USA9291 & USA9291LF SERIES SOLDER BY FEMALE NPT ENDS

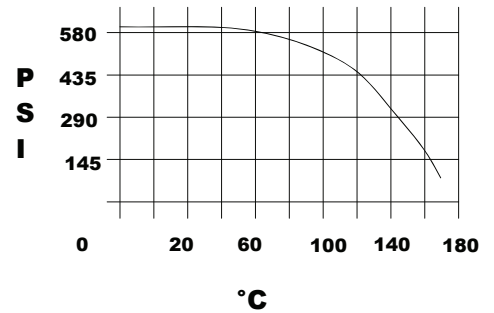
A forged brass quarter turn valve, 600 WOG/150 WSP rated, two piece, full port, with solder joint body and NPT end piece.



## DIMENSIONS

CAT. NO.	CAT. NO.	SIZE	L	D	H	W
USA0509291	USA0509291LF	1/2	2.14	.59	1.77	3.65
USA0759291	USA0759291LF	3/4	2.54	.75	2.05	4.65
USA1009291	USA1009291LF	1	3.00	1.00	2.14	4.65

PRESS. VS. TEMP. CURVE



## MATERIAL LIST

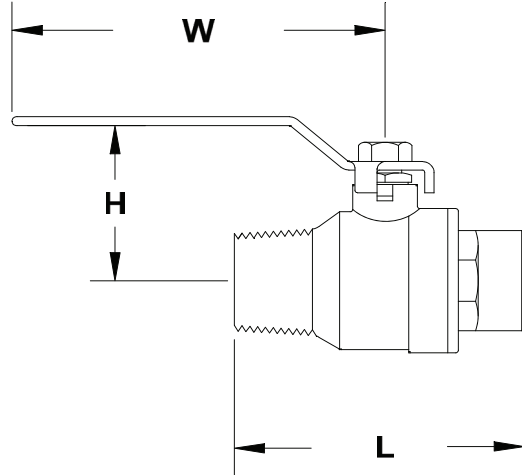
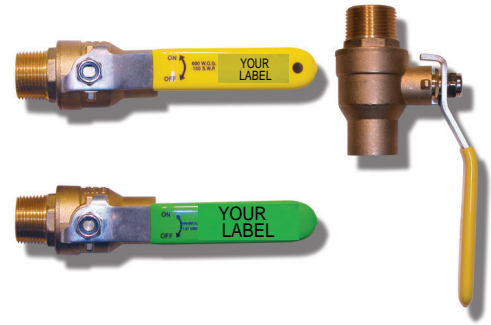
NO.	PART NAME	USA9291 SERIES MATERIAL	USA9291 SERIES MATERIAL
11	O-RING	BUNA-N	BUNA-N
10	NUT	STEEL, ZINC PLATED	STEEL, ZINC PLATED
9	LOCK WASHER	STEEL, ZINC PLATED	STEEL, ZINC PLATED
8	STEM PACKING	PTFE	PTFE
7	GLAND NUT	BRASS	BRASS
6	STEM	BRASS	BRASS
5	HANDLE	ZINC PLATED STEEL, PLASTICOATED	ZINC PLATED STEEL, PLASTICOATED
4	SEAT	PTFE	PTFE
3	BALL	BRASS, HARD CHROME PLATED	BRASS, HARD CHROME PLATED
2	END CAP	BRASS	BRASS
1	BODY	BRASS	BRASS

# PRIVATE LABEL

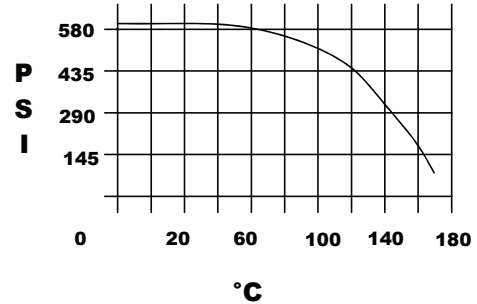


# BMS0001 & BMS0001LF SERIES FORGED BRASS BALL VALVE

A male NPT by solder sweat ball valve. Typically used as a circulator or water filter shut off. Certified lead free.

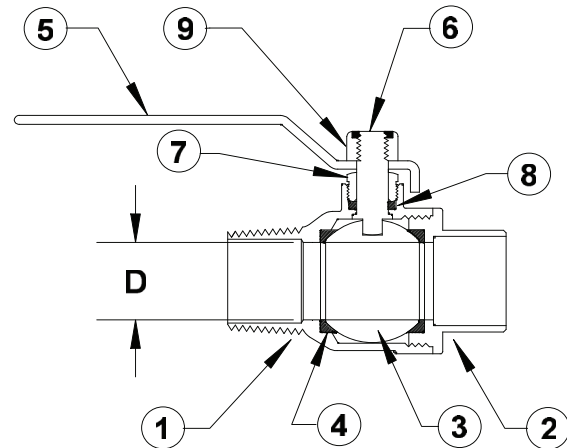
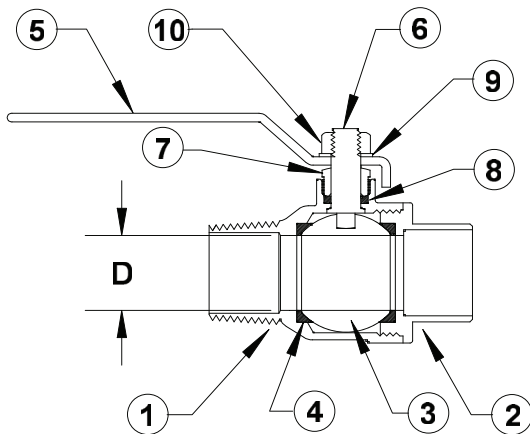


PRESS. VS. TEMP. CURVE



## DIMENSIONS

CAT. NO.	CAT. NO.	SIZE	L	D	H	W
BMS0500001	BMS0500001LF	1/2	2.20	.59	1.77	3.65
BMS0750001	BMS0750001LF	3/4	2.79	.75	2.05	4.65
BMS1000001	BMS1000001LF	1	3.37	1.00	2.14	4.65



## BMS0001 SERIES MATERIAL LIST

NO.	PART NAME	MATERIAL
10	NUT	STEEL, ZINC PLATED
9	LOCK WASHER	STEEL, ZINC PLATED
8	STEM PACKING	PTFE
7	GLAND NUT	BRASS
6	STEM	BRASS
5	HANDLE	STEEL, ZINC PLATED, PLASTICOATED
4	SEAT	PTFE
3	BALL	BRASS, HARD CHROME PLATED
2	END CAP	BRASS
1	BODY	BRASS

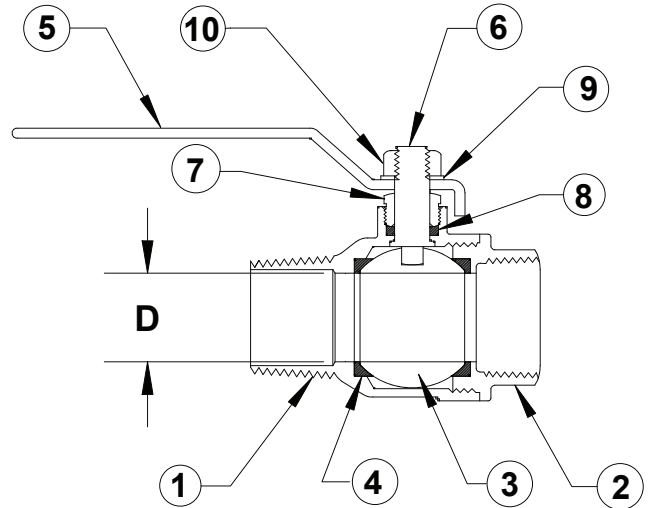
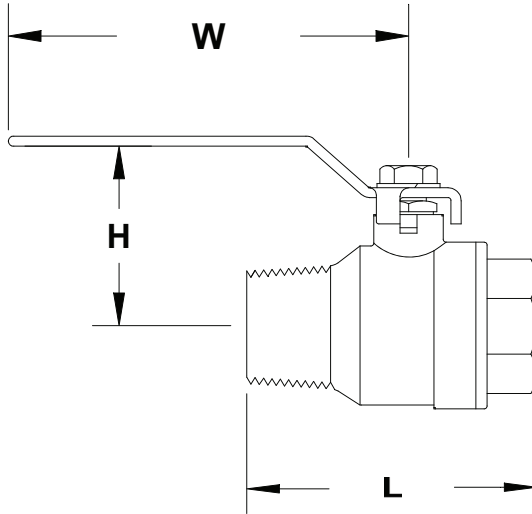
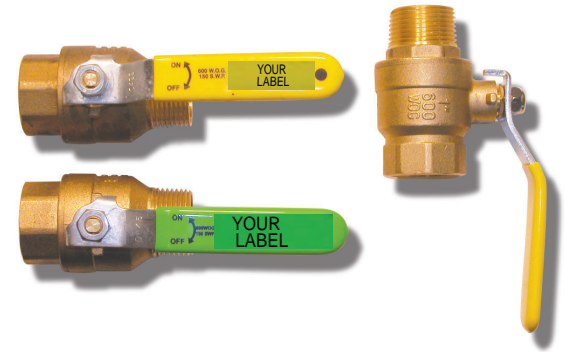
## BMS0001LF SERIES MATERIAL LIST

NO.	PART NAME	MATERIAL
9	NUT	STEEL, ZINC PLATED, NYLON
8	STEM PACKING	PTFE
7	GLAND NUT	BRASS
6	STEM	BRASS
5	HANDLE	STEEL, ZINC PLATED, PLASTICOATED
4	SEAT	PTFE
3	BALL	BRASS, HARD CHROME PLATED
2	END CAP	BRASS C46400
1	BODY	BRASS C46400

PRIVATE LABEL

# BMF1000 & BMF1000LF SERIES FORGED BRASS BALL VALVE

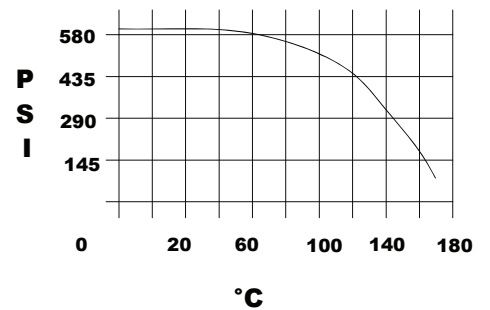
A high quality, full port, 600WOG rated, forged brass ball valve with male by female NPT end connections.



## DIMENSIONS

CAT. NO.	CAT. NO.	SIZE	L	D	H	W
BMF0501000	BMF0501000LF	1/2	2.16	.59	1.77	3.65
BMF0751000	BMF0751000LF	3/4	2.52	.75	2.05	4.65
BMF1001000	BMF1001000LF	1	3.05	1.00	2.14	4.65

PRESS. VS. TEMP. CURVE



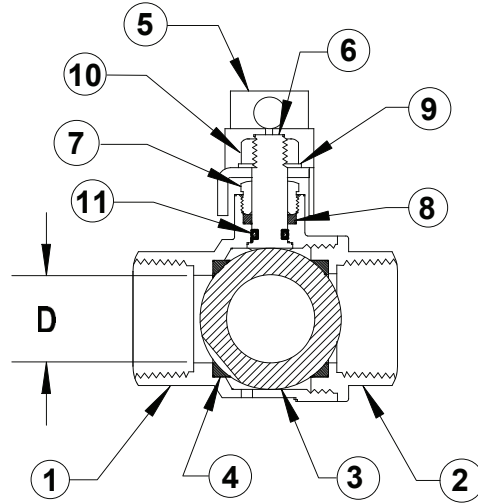
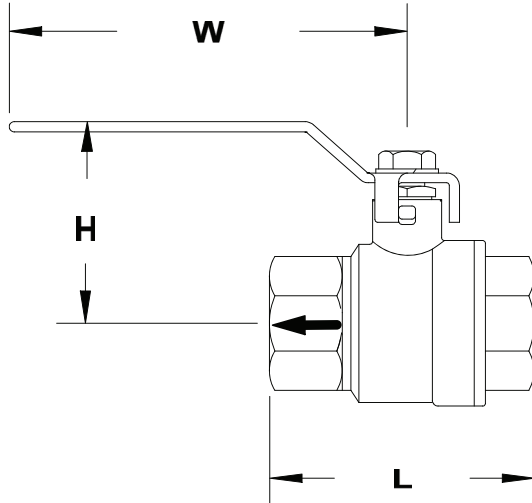
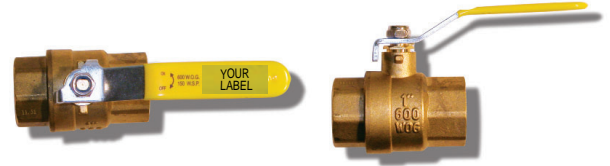
## MATERIAL LIST

NO.	PART NAME	BMF SERIES MATERIAL	BMFLF SERIES MATERIAL
10	NUT	STEEL, ZINC PLATED	STEEL, ZINC PLATED
9	LOCK WASHER	STEEL, ZINC PLATED	STEEL, ZINC PLATED
8	STEM PACKING	PTFE	PTFE
7	GLAND NUT	BRASS	BRASS
6	STEM	BRASS	BRASS
5	HANDLE	STEEL, ZINC PLATED, PLASTICOATED	STEEL, ZINC PLATED, PLASTICOATED
4	SEAT	PTFE	PTFE
3	BALL	BRASS, HARD CHROME PLATED	BRASS, HARD CHROME PLATED
2	END CAP	BRASS	BRASS
1	BODY	BRASS	BRASS

PRIVATE LABEL

# USAV7101SERIES FORGED BRASS BALL VALVE

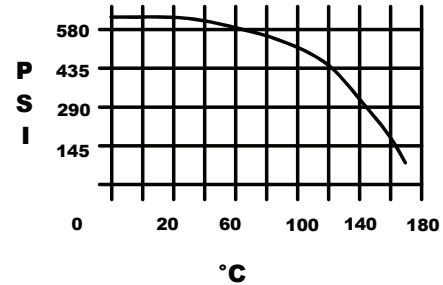
A high quality, full port, 600WOG rated, forged brass ball valve with male by female NPT end connectors.



## DIMENSIONS

CAT. NO.	SIZE	L	D	H	W
USAV0507101	1/2	2.25	.59	1.77	3.65
USAV0757101	3/4	2.52	.75	2.05	4.65
USAV1007101	1	3.00	1.00	2.14	4.65
USAV1257101	1 1/4	3.44	1.25	2.84	5.62
USAV1507101	1 1/2	3.85	1.57	2.87	5.62
USAV2007101	2	4.30	1.97	3.23	5.62

PRESS. VS. TEMP. CURVE



## MATERIAL LIST

NO.	PART NAME	MATERIAL
11	O-RING	BUNA-N
10	NUT	ZINC PLATED STEEL
9	LOCK WASHER	STEEL, ZINC PLATED
8	STEM PACKING	PTFE
7	GLAND NUT	BRASS
6	STEM	BRASS
5	HANDLE	STEEL, ZINC PLATED, PLASTICOATED
4	SEAT	PTFE
3	BALL	BRASS, HARD CHROME PLATED
2	END CAP	BRASS
1	BODY	BRASS

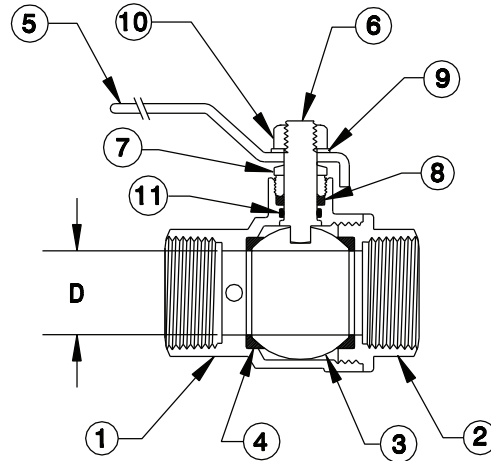
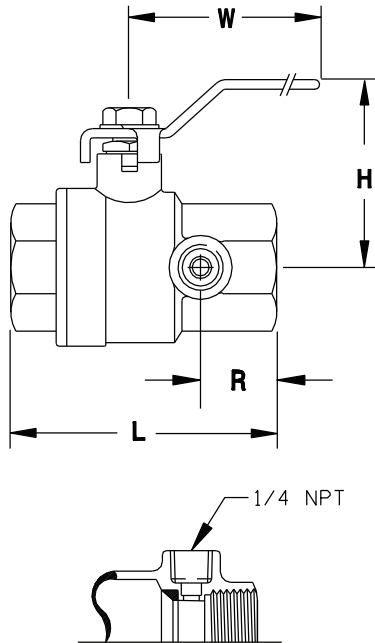
PRIVATE LABEL

# CR1000 PT PORT SERIES FORGED BRASS BALL VALVE



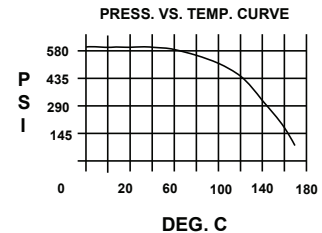
A high quality, full port, 600WOG rated, forged brass ball valve with a 1/4 inch NPT port for pressure or temperature taps. Ideal for heating system balancing.

PRIVATE LABEL



## DIMENSIONS

CAT. NO.	SIZE	L	D	H	R	W
CR0501000	1/2	2.48	.59	1.89	.76	3.65
CR0751000	3/4	2.69	.75	2.11	.77	4.65
CR1001000	1	3.15	1.00	2.45	.84	4.65
CR1251000	1 1/4	3.65	1.02	2.53	.92	5.62
CR1501000	1 1/2	4.09	1.57	2.80	.94	5.62
CR2001000	2	4.47	1.97	3.13	.95	5.62



## MATERIAL LIST

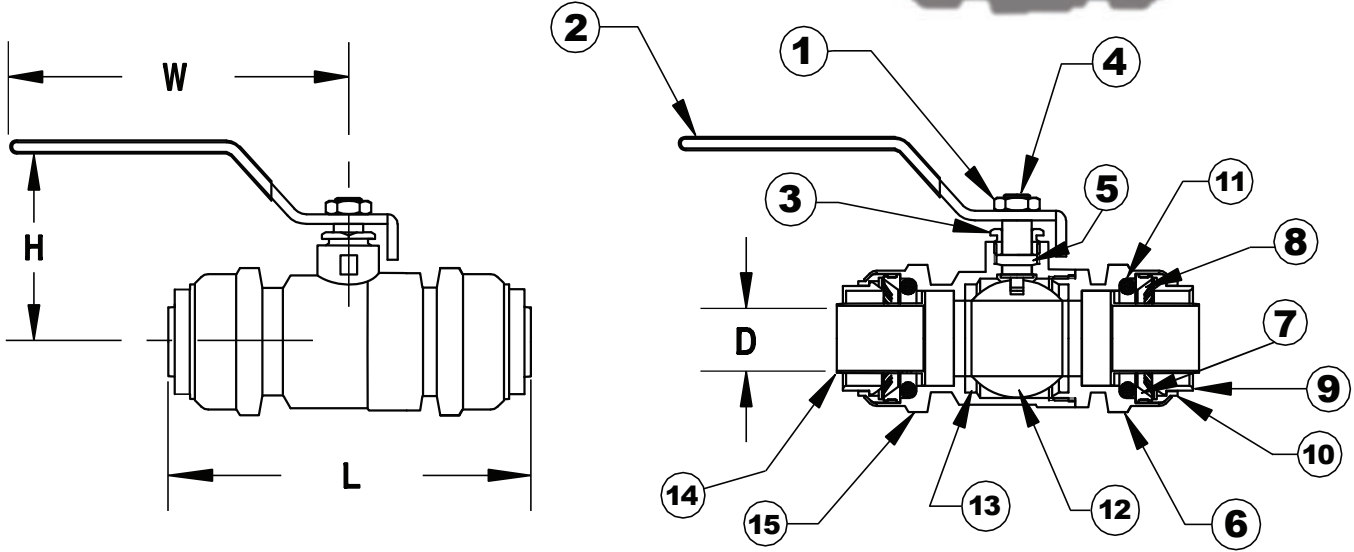
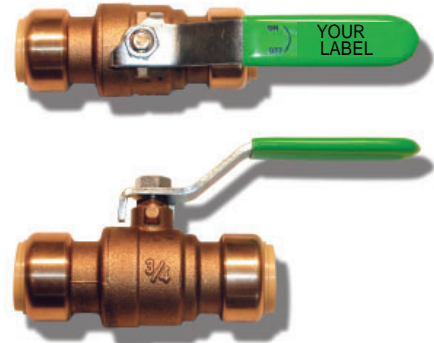
NO.	PART NAME	MATERIALS
11	O-RING	BUNA-N
10	NUT	ZINC PLATED STEEL
9	LOCK WASHER	ZINC PLATED STEEL
8	STEM PACKING	PTFE
7	GLAND NUT	BRASS
6	STEM	BRASS
5	HANDLE	ZINC PLATED STEEL, PLASTICOATED
4	SEAT	PTFE
3	BALL	BRASS, HARD CHROME PLATE
2	END CAP	BRASS
1	BODY	BRASS

PRIVATE LABEL

# ***BPF930LF SERIES***

## ***PUSH FIT BALL VALVE***

A full port, push fitting, forged brass ball valve that connects to copper, CPVC or Pex piping. Ideal for plumbing, water and hydronic heating systems. In accordance with ASTM F-876 & F-877, ASTM D2846/2846M and ASTM B88.



### **DIMENSIONS**

CAT. NO.	SIZE	L	D	H	W
BPF050930LF	1/2	2.97	.62	1.69	3.52
BPF075930LF	3/4	3.44	.86	1.88	4.40
BPF100930LF	1	4.17	1.12	2.24	4.40

### **MATERIAL LIST**

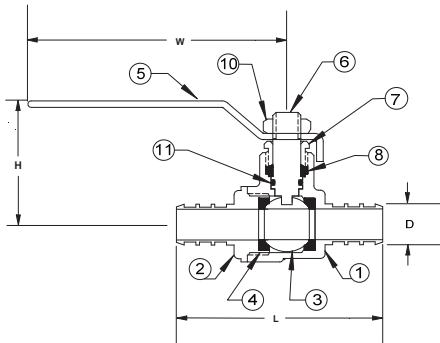
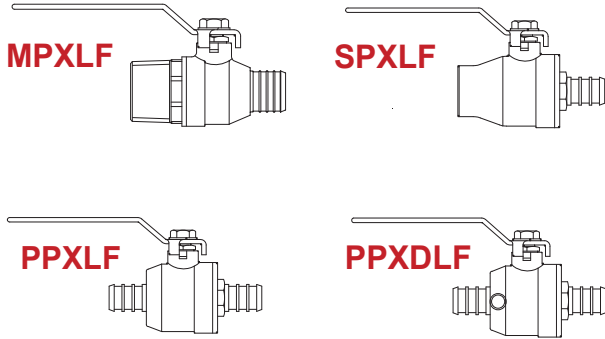
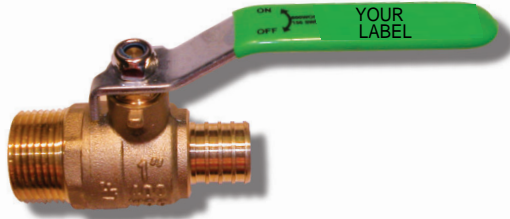
NO.	PART NAME	MATERIALS
15	BODY	BRASS C46500
14	INSERT	POM
13	SEAL RING	PTFE
12	BALL	BRASS, CHROME PLTD.
11	O-RING	BRASS
10	HOUSING	POM
9	RING	POM
8	SPRING	STAINLESS STEEL 316L
7	CAP	POM
6	BONNET	BRASS C46500
5	PACKING	PTFE
4	STEM	BRASS C46500
3	HEX NUT	BRASS HPb59-1
2	HANDLE	ZINK PLATED STEEL, PLASCICOATED
1	LEVER NUT	ZINK PLATED STEEL

**PRIVATE LABEL**

# PX001LF SERIES

## PEX BALL VALVE

A quality, quarter turn, forged brass Pex valve meeting ASTM F1807 requirements. Certified lead free.



### DIMENSIONS

CAT. NO.	DESCRIPTION	SIZE	L	D	H	W
MPX0500001LF	MALE NPT BY PEX	1/2	2.28	.35	1.66	3.35
MPX0750001LF		3/4	2.70	.53	1.87	3.35
MPX1000001LF		1	3.44	.71	2.35	4.35
SPX0500001LF	SOLDER BY PEX	1/2	2.45	.35	1.66	3.35
SPX0750001LF		3/4	2.94	.53	1.87	3.35
PPX0500001LF	PEX BY PEX	1/2	2.50	.35	1.66	3.35
PPX0750001LF		3/4	3.00	.53	1.87	3.35
PPX1000001LF		1	3.17	.71	2.35	4.35
PPXD0500001LF	PEX BY PEX WITH DRAIN	1/2	2.64	.35	1.66	3.35
PPXD0750001LF		3/4	2.90	.53	1.87	3.35

### MATERIALS

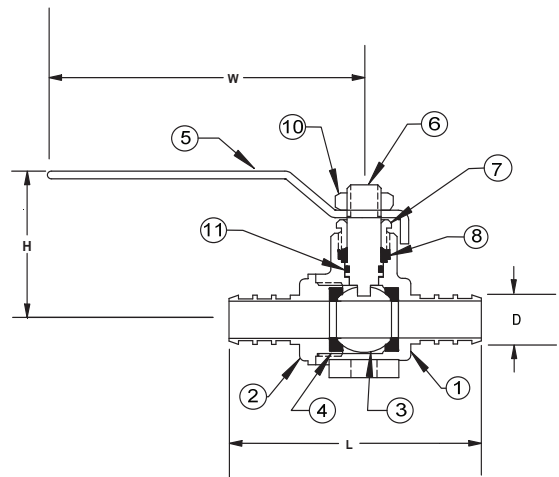
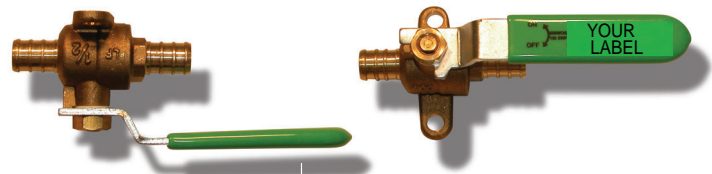
NO.	PART NAME	MATERIAL
11	O-RING	BUNA-N
10	NUT	STEEL, ZINC PLATED
8	STEM PACKING	PTFE
7	GLAND NUT	BRASS
6	STEM	BRASS
5	LEVER HANDLE	STEEL, ZINC PLATED, PLASTICOATED
5	TEE HANDLE	DIE CAST ALUMN, (OPTION)
4	SEAT	PTFE
3	BALL	BRASS, HARD CHROME PLATE
2	END CAP	BRASS C46400
1	BODY	BRASS C46400

# PXBLLF SERIES

## PEX BALL VALVE WITH MOUNTING BRACKET

A quality, quarter turn, forged brass Pex valve with mounting bracket meeting ASTM F1807 requirements. Certified lead free.

## PRIVATE LABEL



### DIMENSIONS

CAT. NO.	SIZE	L	D	H	W
PPXB0500001LF	1/2	2.43	.43	1.21	3.59
PPXB0750001LF	3/4	2.68	.68	1.37	3.62

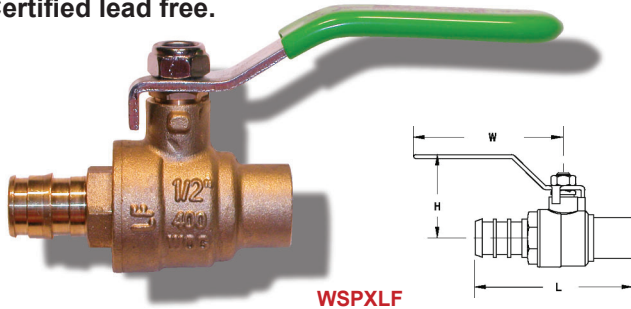
### MATERIALS

NO.	PART NAME	MATERIAL
11	O-RING	BUNA-N
10	NUT	STEEL, ZINC PLATED
8	STEM PACKING	PTFE
7	GLAND NUT	BRASS
6	STEM	BRASS
5	LEVER HANDLE	STEEL, ZINC PLATED, PLASTICOATED
5	TEE HANDLE	DIE CAST ALUMN, (OPTION)
4	SEAT	PTFE
3	BALL	BRASS, HARD CHROME PLATE
2	END CAP	BRASS C46400
1	BODY	BRASS C46400

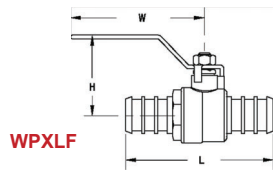
## PRIVATE LABEL

# F1960LF SERIES EXPANSION STYLE PEX BALL VALVE

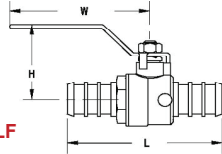
A quality, quarter turn, forged brass Pex valve meeting ASTM F1807 requirements. Certified lead free.



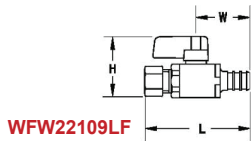
WSPXLF



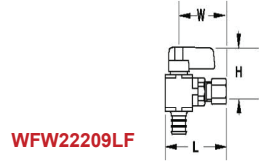
WPXLF



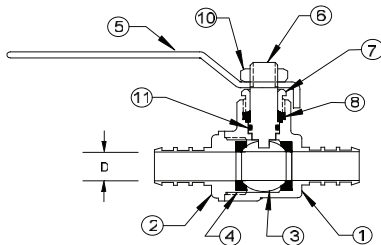
WPXDLF



WFW22109LF



WFW22209LF



## DIMENSIONS

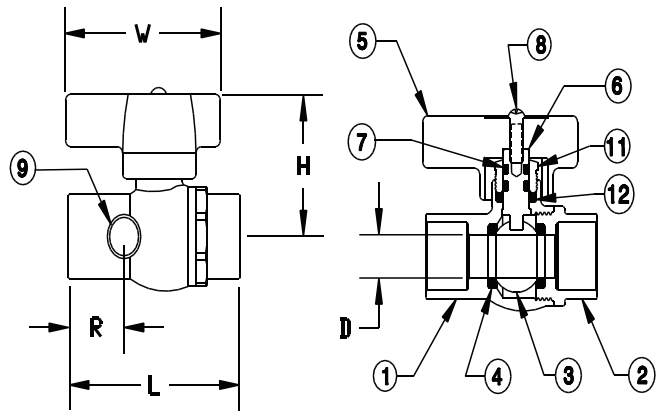
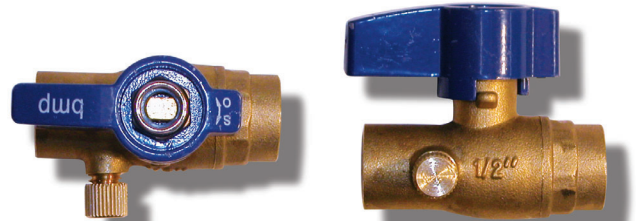
CAT. NO.	DESCRIPTION	SIZE	L	D	H	W
WSPX0500001LF	COPPER BY PEX	1/2	2.58	.59	1.82	3.37
WSPX0750001LF		3/4	3.25	.72	2.11	4.37
WSPX1000001LF		1	3.95	.96	2.43	4.44
WPXD0500001LF	PEX BY PEX WITH DRAIN	1/2	2.83	.30	1.74	3.47
WPXD0750001LF		3/4	3.44	.49	1.85	3.46
WPXD1000001LF		1	4.19	.72	2.22	4.45
WPX0500001LF	PEX BY PEX	1/2	3.00	.30	1.74	3.47
WPX0750001LF		3/4	3.16	.49	1.85	3.46
WPX1000001LF		1	3.96	.72	2.22	4.45
WFW22109LF	COPPER BY PEX ANGLE	3/4	2.28	.30	1.07	2.29
WFW22209LF		3/4	2.26	.30	1.58	1.07

## MATERIALS

NO.	PART NAME	MATERIAL
11	O-RING	BUNA-N
10	NUT	STEEL, ZINC PLATED
8	STEM PACKING	PTFE
7	GLAND NUT	BRASS
6	STEM	BRASS
5	LEVER HANDLE	STEEL, ZINC PLATED, PLASTICOATED
5	TEE HANDLE	DIE CAST ALUMN, (OPTION)
4	SEAT	PTFE
3	BALL	BRASS, HARD CHROME PLATE
2	END CAP	BRASS C46400
1	BODY	BRASS C46400

# STW0002LF SERIES STOP & WASTE VALVE

A quality quarter turn brass valve with solder joint ends, aluminum wing style T handle, and double O-ring stem seal



## DIMENSIONS

CAT. NO.	SIZE	L	D	H	R	W
STW0500002LF	1/2"	2.10	.38	1.72	.65	1.15
STW0750002LF	3/4"	2.63	.51	1.53	.84	1.15

## MATERIALS

NO.	PART NAME	MATERIALS
12	PACKING	PTFE
11	GLAND NUT	BRASS
10	DRAIN CAP SEAL	BUNA
9	DRAIN CAP	BRASS
8	SCREW	STEEL
7	O-RING	BUNA
6	STEM	BRASS
5	HANDLE	ALUMINUM
4	SEAT	PTFE
3	BALL	BRASS, CHROME PLATED
2	END CAP	BRASS
1	BODY	BRASS

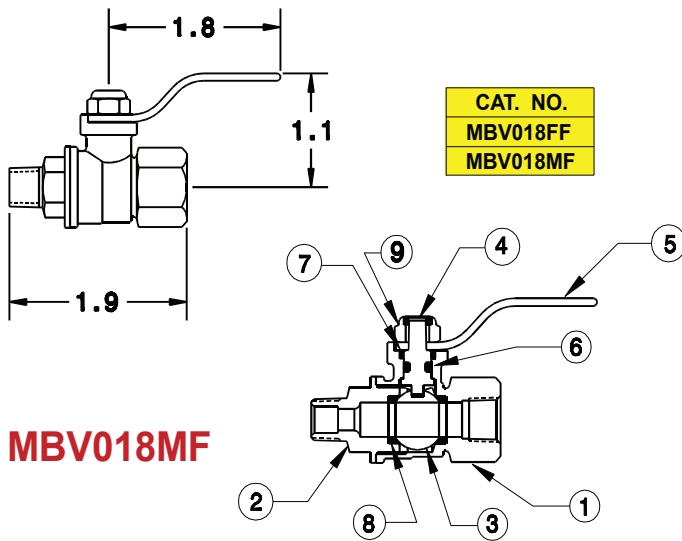
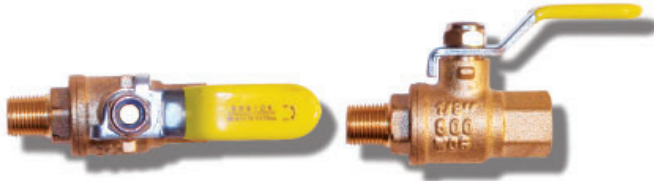
PRIVATE LABEL



## MBV018 SERIES 1/8 INCH

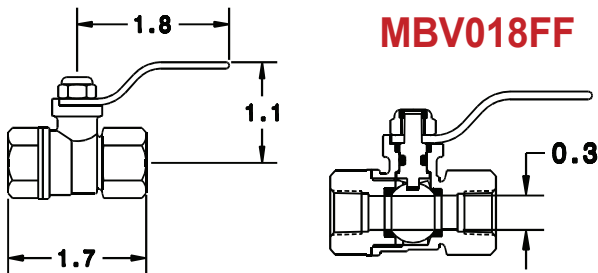
### BRASS BALL VALVE

A quality, quarter turn, miniature brass ball valve, available in female by female and male by female



CAT. NO.  
MBV018FF  
MBV018MF

**MBV018MF**



**MBV018FF**

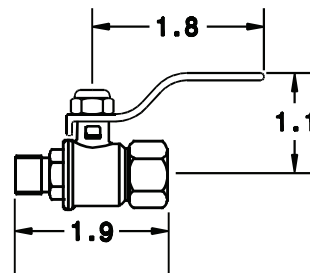
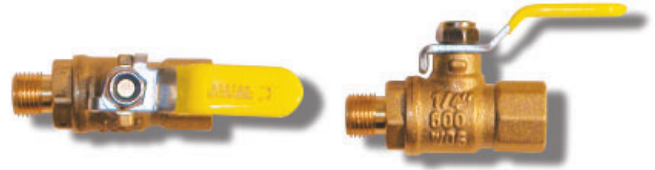
### MATERIALS

NO.	PART NAME	MATERIALS
9	LOCK NUT	STEEL, CHROME PLATED / NYLON
8	SEAT	PTFE
7	THRUST WASHER	PTFE
6	O-RING	NITRIL
5	HANDLE	STEEL, ZINC PLATED, PLASTICOATED
4	STEM	BRASS
3	BALL	BRASS, CHROME PLATED.
2	FLANGED CAP	BRASS, CHROME PLATED
1	BODY	BRASS, CHROME PLATED

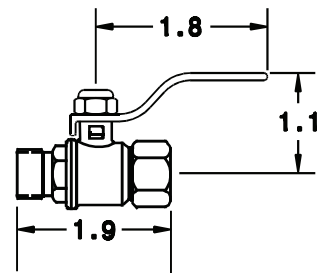
## BRI14 SERIES 1/4 INCH

### BRASS BALL VALVE

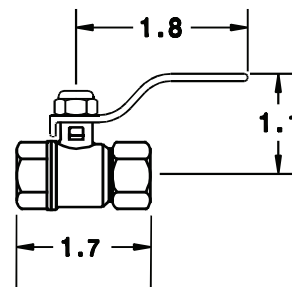
A quality, compact, quarter turn brass ball valve. Available in female, female by male NPT or female NPT by compression.



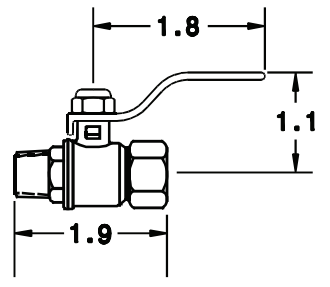
**BRI14FC**



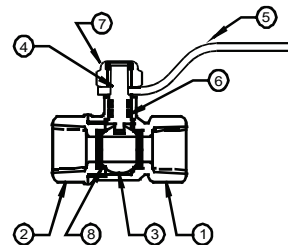
**BRI1438FC**



**BRI14FIP**



**BRI14MF**



CAT. NO.  
BRI1438FC  
BRI14FC  
BRI14FIP  
BRI14MF

### MATERIALS

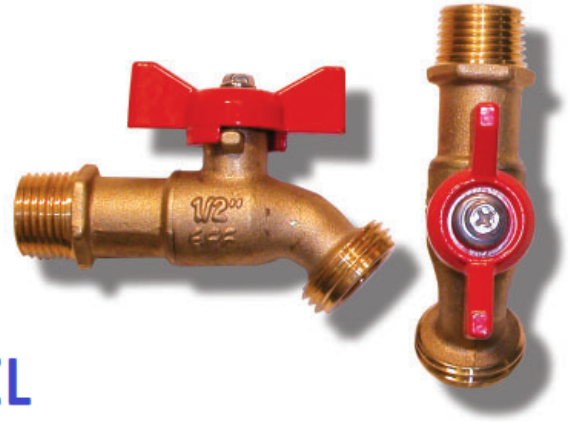
NO.	PART NAME	MATERIAL
8	SEAT	PTFE
7	NUT	STEEL, ZINC PLATE
6	O-RING	BUTYL
5	HANDLE	STEEL, ZINC PLATED, PLASTICOATED
4	STEM	BRASS
3	BALL	BRASS CHROME, PLATED
2	END CAP	BRASS
1	BODY	BRASS

PRIVATE LABEL

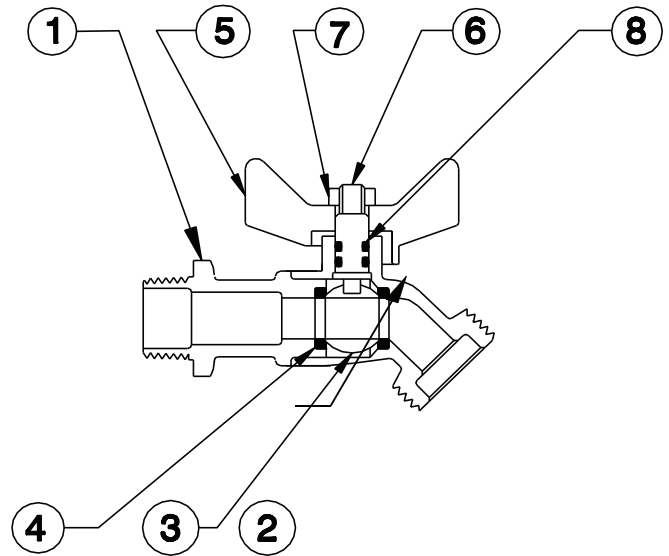
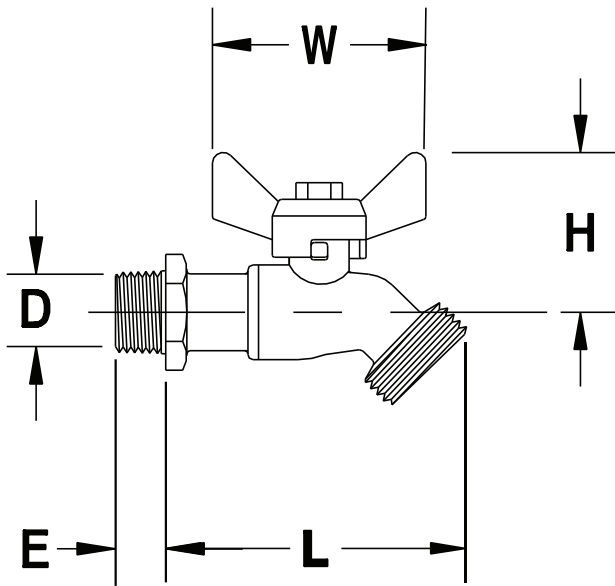


# ***BTD0002 & BTD0002LF*** ***SERIES*** ***MALE NPT BY HOSE DRAINS***

A brass quarter turn drain valve with NPT inlet and national hose thread outlet.



**PRIVATE LABEL**



## **DIMENSIONS**

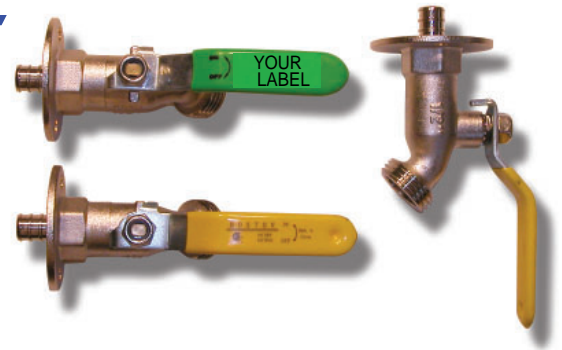
CAT. NO.	CAT. NO.	D	L	E	H	W
BTD0500002	BTD0500002LF	1/2	3.12	.52	1.60	2.06
BTD0750002	BTD0750002LF	3/4	3.06	.57	1.60	2.06

## **MATERIAL LIST**

NO.	PART NAME	BTD SERIES MATERIALS	BTDLF SERIES MATERIALS
8	O-RING	BUTYL	BUTYL
7	LOCKING NUT	STEEL, NYLON	STEEL, ZINC PLATED, NYLON
6	STEM	BRASS	BRASS
5	HANDLE	ALUMINUM, ENAMELED	ALUMINUM, ENAMELED
4	SEAT	PTFE	PTFE
3	BALL	BRASS, CHROME PLATED	BRASS, HARD CHROME PLTD.
2	BODY	BRASS	BRASS C46400
1	END CAP	BRASS	BRASS C46400

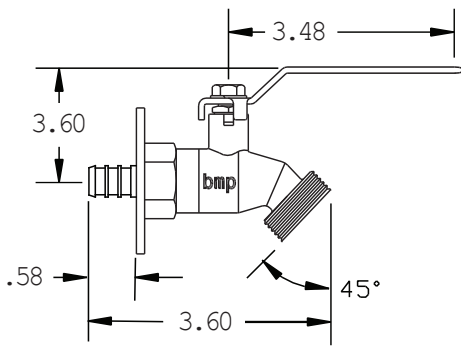
**PRIVATE LABEL**

# PSCLF, TSCLF & SSCLF SERIES CHROME 1/2 INCH SILLCOCKS

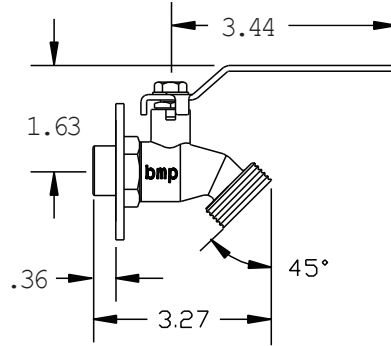


A quality quarter turn brass valve with solder joint ends, aluminum wing style T handle, and double O-ring stem seal

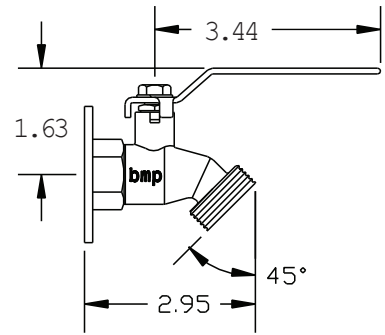
## PRIVATE LABEL



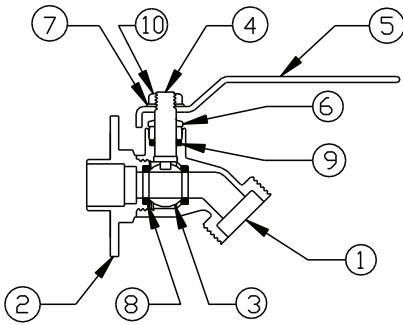
**PSC0501000LF**



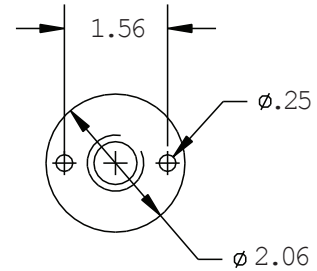
**SSC0501000LF**



**TSC0501000LF**



**CAT. NO.**  
PSC0501000LF  
SSC0501000LF  
TSC0501000LF



**MOUNTING**

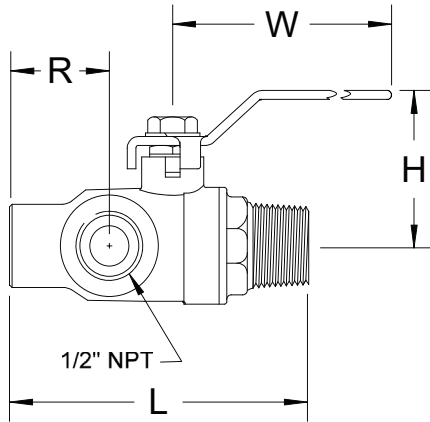
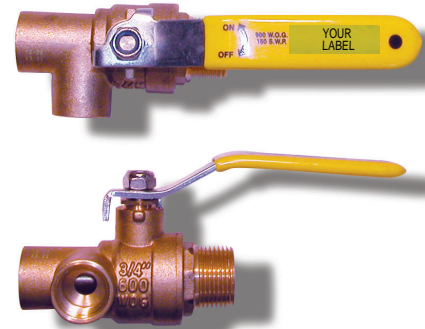
## MATERIALS

NO.	PART NAME	PSCLF, TSCLF & SSCLF SERIES MATERIALS
10	NUT	STEEL, ZINC PLATED
9	STEM PACKING	PTFE
8	SEAT	PTFE
7	LOCK WASHER	STEEL, ZINC PLATED
6	GLAND NUT	BRASS
5	HANDLE	STEEL, ZINC PLATED, PLASTICOATED
4	STEM	BRASS
3	BALL	BRASS46400, CHROME PLATED
2	FLANGED CAP	BRASS46400, CHROME PLATED
1	BODY	BRASS46400, CHROME PLATED

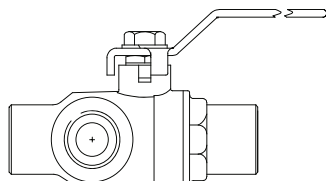
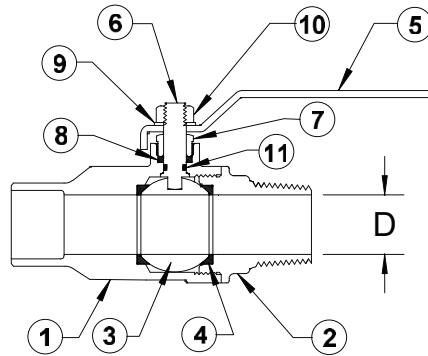
## PRIVATE LABEL

# PV1000, 2000 & 3000 SERIES PURGE BALL VALVE

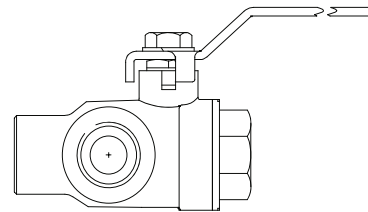
A 600 WOG rated, two piece, full port, brass ball valve with 1/2" NPT purge port.



**PV1000**



**PV2000**



**PV3000**

## DIMENSIONS

CAT. NO.	SIZE	L	D	H	R	W
PV0751000	3/4	3.35	.75	2.17	1.08	4.65
PV1001000	1	3.78	.97	2.28	1.18	4.65
PV0752000	3/4	3.30	.75	2.17	1.08	4.65
PV1002000	1	3.78	.97	2.28	1.18	4.65
PV0753000	3/4	3.15	.75	2.17	1.08	4.65
PV1003000	1	3.59	.97	2.28	1.18	4.65

## MATERIALS

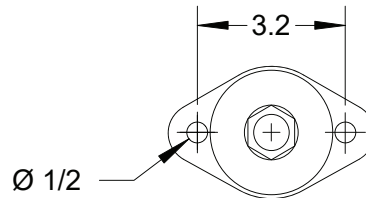
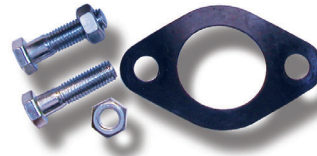
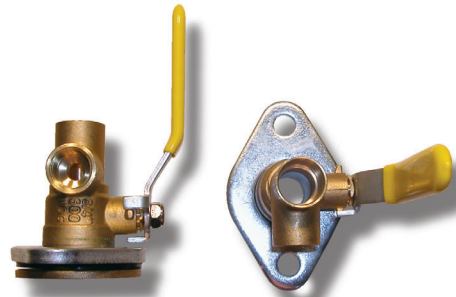
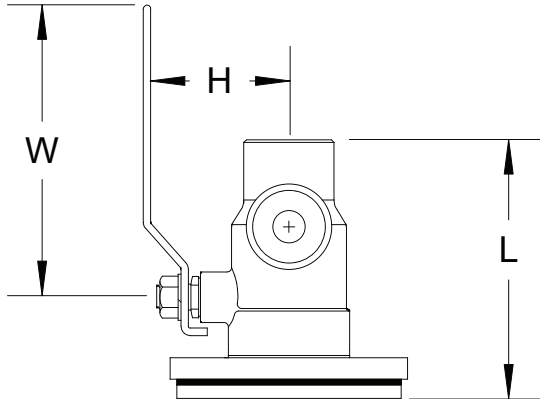
NO.	PART NAME	MATERIAL
11	O-RING	BUNA-N
10	NUT	STEEL, ZINC PLATED
9	LOCK WASHER	STEEL, ZINC PLATED
8	STEM PACKING	PTFE
7	GLAND NUT	BRASS
6	STEM	BRASS
5	HANDLE	STEEL, ZINC PLATED, PLASTICOATED
4	SEAT	PTFE
3	BALL	BRASS, HARD CHROME PLATE
2	END CAP	BRASS
1	BODY	BRASS

**PRIVATE LABEL**

# FPV2000 SERIES FLANGED CIRCULATOR PURGE VALVE

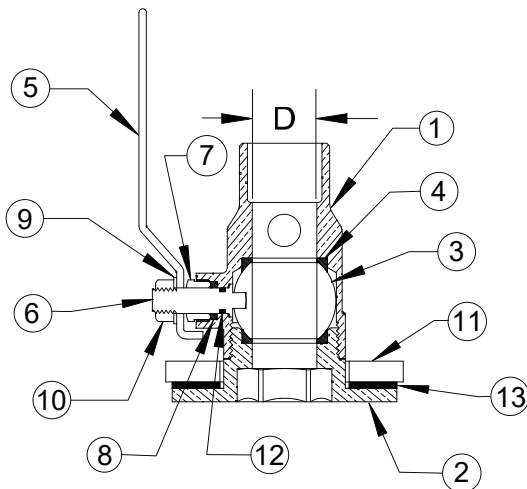
A flanged by NPT, quarter turn purge valve with 1/2" NPT purge port. Used for circulator pump isolation.

PRIVATE LABEL



## DIMENSIONS

CAT. NO.	SIZE	L	D	H	W
FPV0752000	3/4	3.16	.75	2.34	4.65
FPV1002000	1	3.41	1	2.52	4.65
FPV1252000	1 1/4	3.89	1.25	2.53	5.80



## MATERIALS

NO	PART NAME	MATERIAL
13	WASHER	BUNA-N
12	O-RING	BUNA-N
11	FLANGE	STEEL, ZINC PLATED
10	NUT	STEEL, ZINC PLATED
9	LOCK WASHER	STEEL, ZINC PLATED
8	STEM PACKING	PTFE
7	GLAND NUT	BRASS
6	STEM	BRASS
5	HANDLE	STEEL, ZINC PLATED ,PLASTICOATED
4	SEAT	PTFE
3	BALL	BRASS, HARD CHROME PLTD.
2	END CAP	BRASS
1	BODY	BRASS

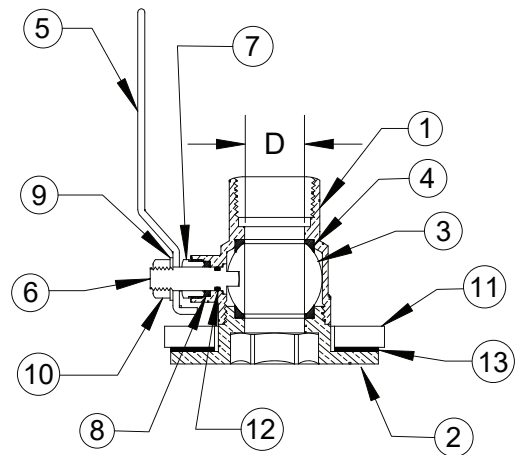
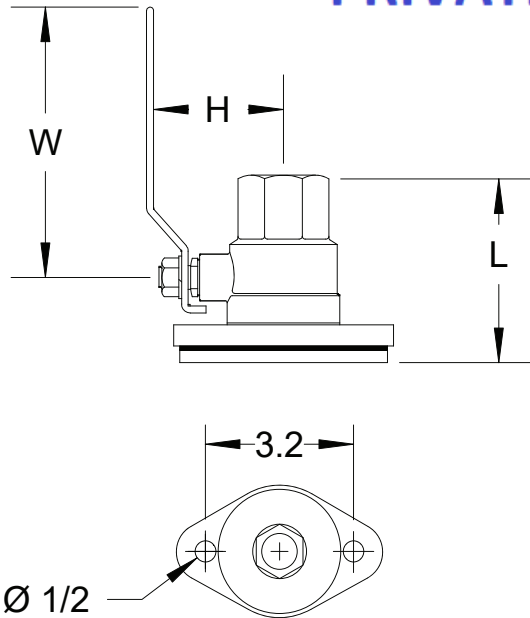
PRIVATE LABEL

# FLG1000 SERIES FLANGED CIRCULATOR VALVE

A flanged by NPT, quarter turn, brass ball valve. Used for circulator pump isolation.



PRIVATE LABEL



## DIMENSIONS

CAT. NO.	SIZE	L	D	H	W
FLG0751000	3/4	2.19	.75	2.34	4.65
FLG1001000	1	2.62	1	2.52	4.65
FLG1251000	1 1/4	2.98	1.25	2.53	5.80

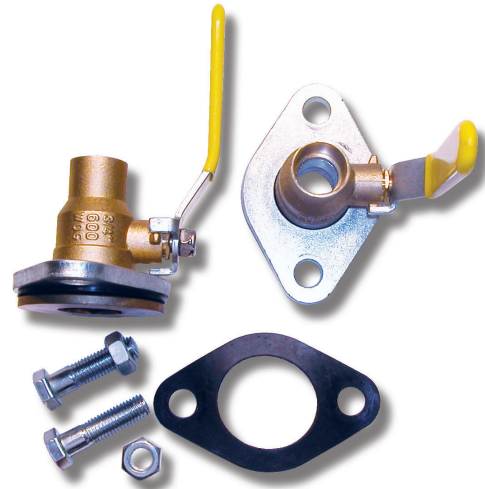
## MATERIALS

NO	PART NAME	MATERIAL
13	WASHER	BUNA-N
12	O-RING	BUNA-N
11	FLANGE	STEEL, ZINC PLATED
10	NUT	STEEL, ZINC PLATED
9	LOCK WASHER	STEEL, ZINC PLATED
8	STEM PACKING	PTFE
7	GLAND NUT	BRASS
6	STEM	BRASS
5	HANDLE	STEEL, ZINC PLATED ,PLASTICOATED
4	SEAT	PTFE
3	BALL	BRASS, HARD CHROME PLTD.
2	END CAP	BRASS
1	BODY	BRASS

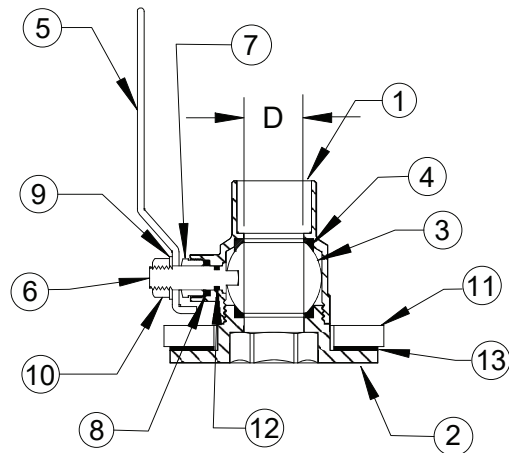
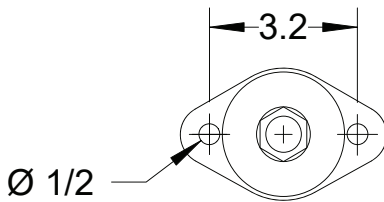
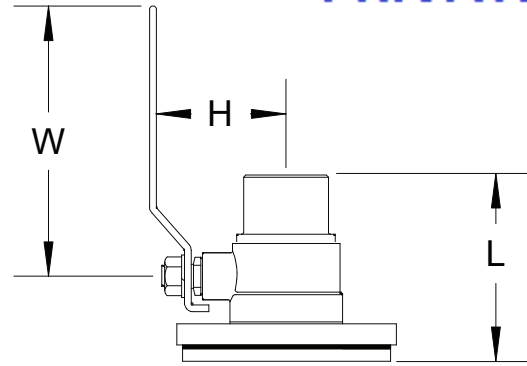
PRIVATE LABEL

# FLG2000 SERIES FLANGED CIRCULATOR VALVE

A flanged by sweat, quarter turn, brass ball valve. Used for circulator pump isolation.



PRIVATE LABEL



## DIMENSIONS

CAT. NO.	SIZE	L	D	H	W
FLG0752000	3/4	2.35	.75	2.34	4.65
FLG1002000	1	2.80	1	2.52	4.65
FLG1252000	1 1/4	3.39	1.25	2.53	5.80

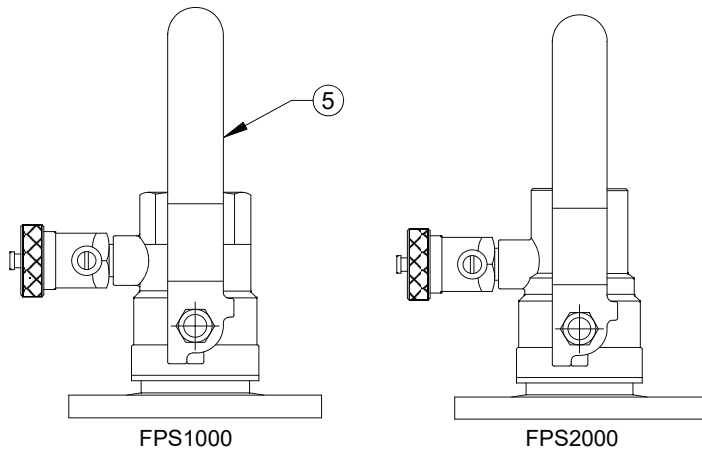
## MATERIALS

NO	PART NAME	MATERIAL
13	WASHER	BUNA-N
12	O-RING	BUNA-N
11	FLANGE	STEEL, ZINC PLATED
10	NUT	STEEL, ZINC PLATED
9	LOCK WASHER	STEEL, ZINC PLATED
8	STEM PACKING	PTFE
7	GLAND NUT	BRASS
6	STEM	BRASS
5	HANDLE	STEEL, ZINC PLATED ,PLASTICOATED
4	SEAT	PTFE
3	BALL	BRASS, HARD CHROME PLTD.
2	END CAP	BRASS
1	BODY	BRASS

PRIVATE LABEL

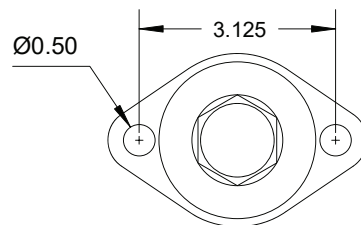
# FPS1000-FPS2000 SERIES FLANGED CIRCULATOR PURGE VALVE

A flanged by NPT or copper, circulator isolation valve with 3/4" hose connection and purge stop valve.



## DIMENSIONS

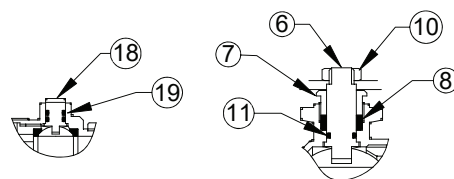
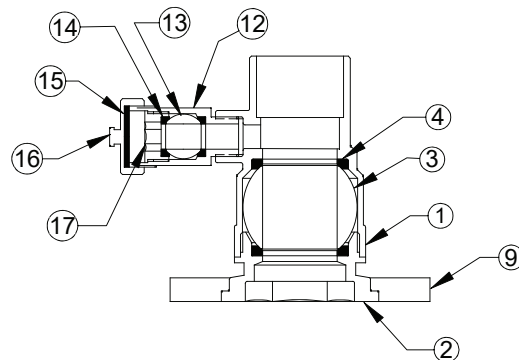
CAT. NO.	SIZE	L	D	H	W
FPS0751000	3/4	3.00	.75	2.10	3.62
FPS1001000	1	3.50	1.00	2.46	4.33
FPS1251000	1 1/4	3.75	1.20	3.05	5.11
FPS0752000	3/4	3.00	.75	2.10	3.62
FPS1002000	1	3.50	1.00	2.46	4.33
FPS1252000	1 1/4	4.00	1.20	3.05	5.11



FLANGE BOLT PATTERN

## MATERIALS

NO	PART NAME	MATERIAL
19	O-RING	BUNA-N
18	DRAIN VALVE STEM	BRASS, C36000
17	BALL RETAINER	BRASS, C36000
16	DRAIN VALVE CAP	BRASS, C37700
15	GASKET	BUNA-N
14	DRAIN VALVE SEAT	PTFE
13	DRAIN VALVE BALL	BRASS, CHROME PLTD.
12	DRAIN VALVE BODY	BRASS, C37700
11	O-RING	BUNA-N
10	NUT	STEEL, ZINC PLATED
9	FLANGE	BRASS
8	STEM PACKING	PTFE
7	GLAND NUT	BRASS, C36000
6	STEM	BRASS, C36000
5	HANDLE	STEEL, ZINC PLATED, PLASTICOATED
4	SEAT	PTFE
3	BALL	BRASS, CHROME PLTD.
2	END CAP	BRASS, C37700
1	BODY	BRASS, C37700



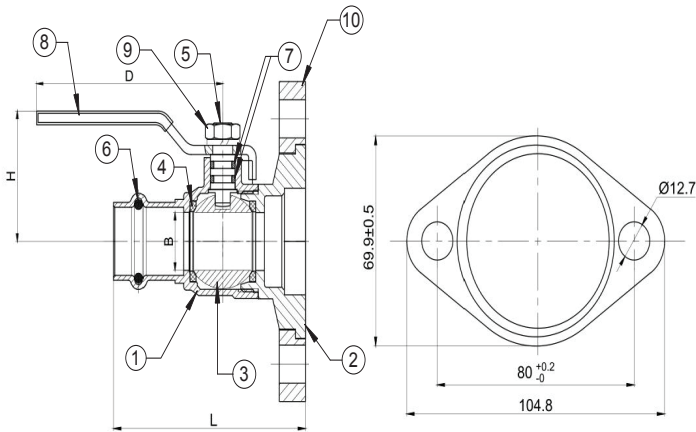
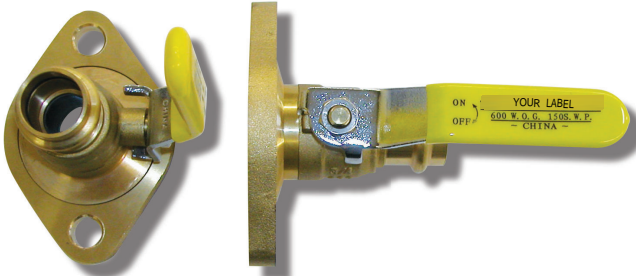
STEM DETAIL

PRIVATE LABEL



# FLG537 SERIES FLANGED CIRCULATOR VALVE

A flanged by NPT or copper, circulator isolation valve with 3/4" hose connection and purge stop valve.



## MATERIAL LIST

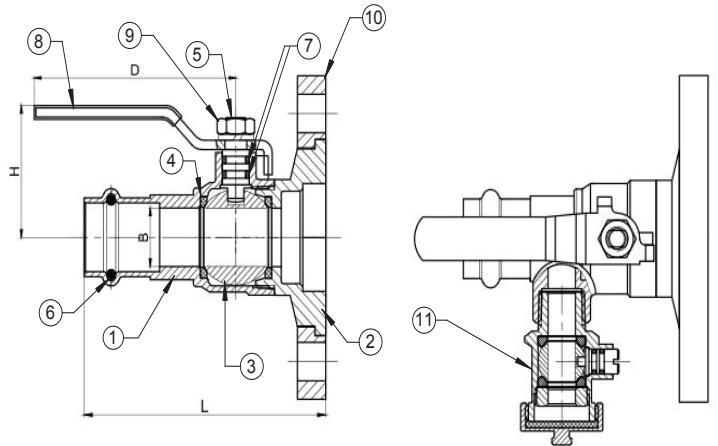
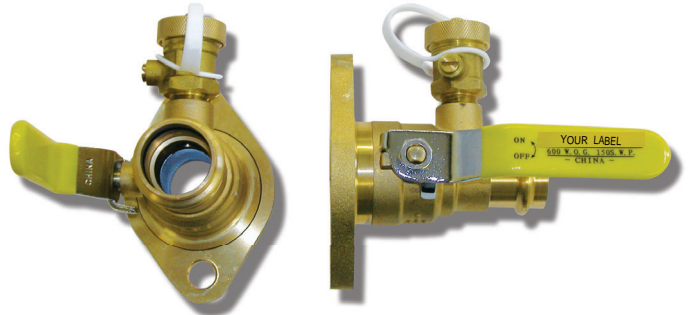
NO.	PART NAME	MATERIALS
10	FLANGE	C37700
9	HANDLE NUT	CARBON STEEL
8	HANDLE	CARBON STEEL
7	STEM PACKING	PTFE
6	O-RING	EPDM
5	STEM	C37700
4	SEAT	PTFE
3	BALL	C37700
2	BONNET	C37700
1	BODY	C37700

## DIMENSIONS

CAT. NO.	D	L	H	B
FLG075537	3.31	3.03	1.63	.75
FLG100537	3.31	3.20	1.78	.96
FLG125537	4.13	3.54	2.36	1.22

# FPS37 SERIES FLANGED CIRCULATOR PURGE VALVE

A flanged by NPT or copper, circulator isolation valve with 3/4" hose connection and purge stop valve.



## MATERIAL LIST

NO.	PART NAME	MATERIALS
11	DRAIN VALVE	C37700
10	FLANGE	C37700
9	HANDLE NUT	CARBON STEEL
8	HANDLE	CARBON STEEL
7	STEM PACKING	PTFE
6	O-RING	EPDM
5	STEM	C37700
4	SEAT	PTFE
3	BALL	C37700
2	BONNET	C37700
1	BODY	C37700

## DIMENSIONS

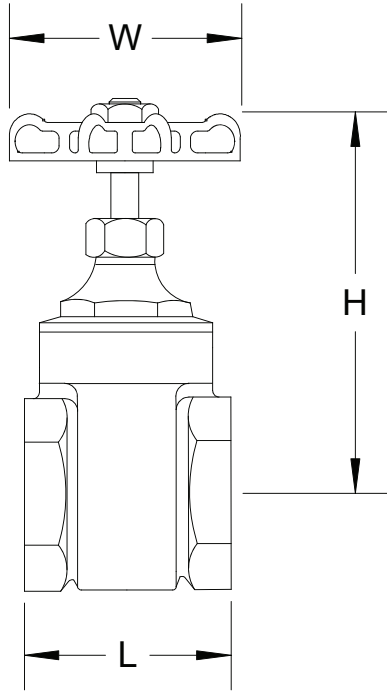
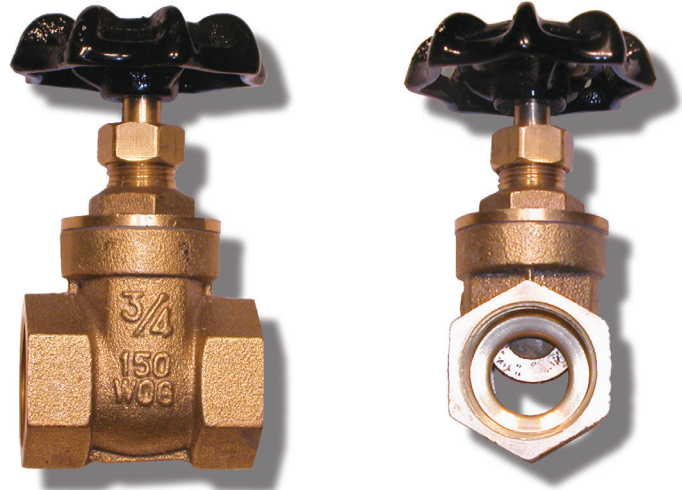
CAT. NO.	D	L	H	B
FPS075537	3.31	3.52	1.63	.75
FPS100537	3.31	3.78	1.78	.94
FPS125537	4.13	4.06	2.36	1.22

PRIVATE LABEL



# GV3100 - GV3100LF SERIES NPT GATE VALVE

A high quality, full port, non rising stem, wedge disk, cast brass gate valve. Rated at 200 WOG.

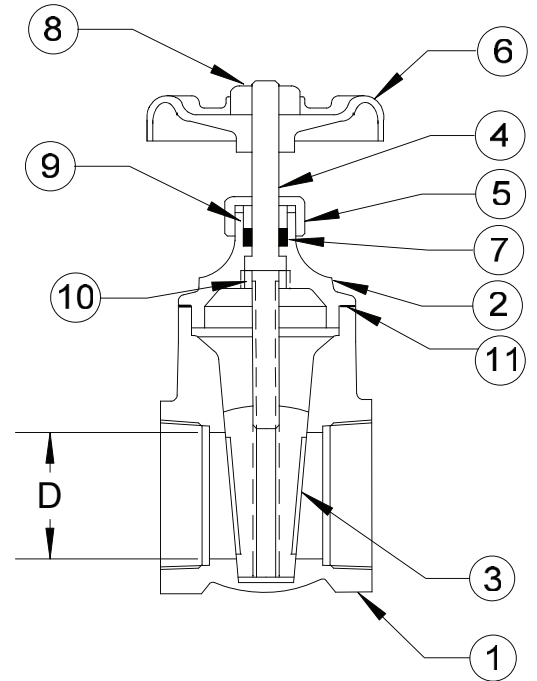


## DIMENSIONS

CAT. NO.	CAT. NO.	SIZE	L	D	H	W
GV0503100LF	GV0503100	1/2	1.69	.50	2.74	2.08
GV0753100LF	GV0753100	3/4	1.81	.66	2.95	2.08
GV1003100LF	GV1003100	1	2.04	.82	3.32	2.36
GV1253100LF	GV1253100	1 1/4	2.55	1.06	3.89	2.83
GV1503100LF	GV1503100	1 1/2	2.59	1.33	4.31	2.83
GV2003100LF	GV2003100	2	3.24	1.77	5.13	3.14
GV2503100LF	GV2503100	2 1/2	3.46	2.20	6.41	3.93
GV3003100LF	GV3003100	3	3.62	2.67	7.44	4.25
GV4003100LF	GV4003100	4	4.33	3.54	9.15	5.03

## MATERIAL LIST

NO.	PART NAME	GV MATERIAL	GVLF MATERIAL
11	WASHER	PTFE	PTFE
10	LOCK NUT	BRASS (ASTM-UNS B16 C36000)	BRASS HPb58-2
9	GLAND RING	BRASS (ASTM-UNS B16 C36000)	BRASS HPb58-2
8	NUT	STEEL (SAE 1010R)	304 SST
7	PACKING	PTFE	PTFE
6	HANDWHEEL	CAST IRON	CAST IRON
5	PACKING NUT	BRASS (ASTM-UNS B16 C36000)	BRASS HPb58-2
4	STEM	BRASS (1/2" to 2" (ASTM-UNS B16 C36000) 2 1/2" to 4" (ASTM-UNS B584 C85710))	BRASS C46500
3	DISC	BRASS (ASTM-UNS B584 C85710)	BRASS C46500
2	BONNET	BRASS (ASTM-UNS B584 C85710)	BRASS C46500
1	BODY	BRASS (ASTM-UNS B584 C85710)	BRASS C46500

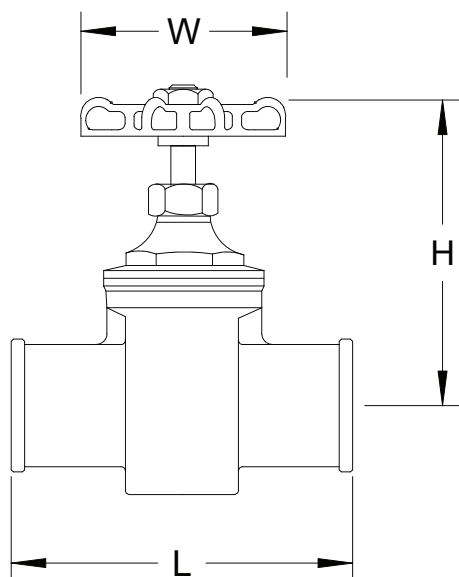
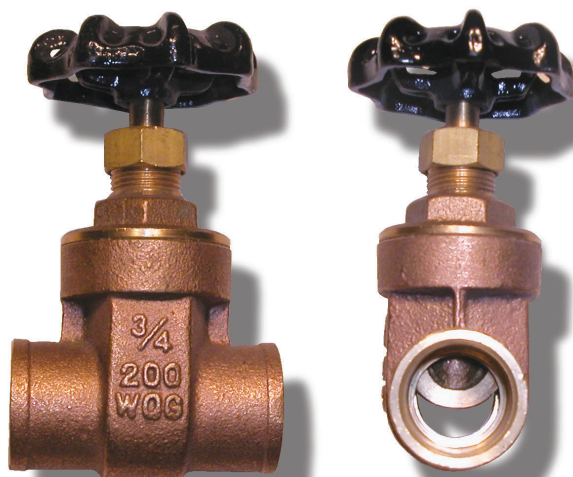


PRIVATE LABEL

# GV3200 - GV3200LF SERIES NPT GATE VALVE

A high quality, full port, non rising stem, wedge disk, cast brass gate valve. Rated at 200 WOG.

PRIVATE LABEL

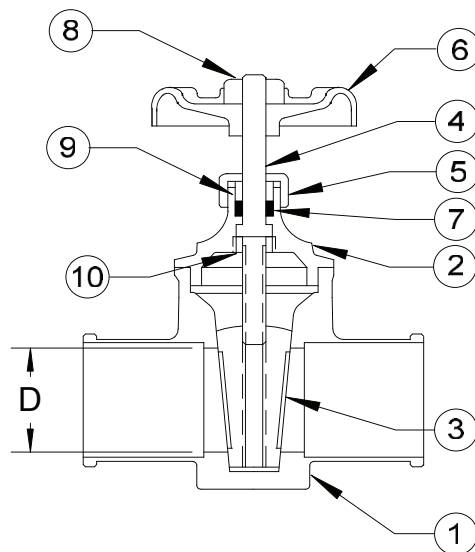


## DIMENSIONS

CAT. NO.	CAT. NO.	SIZE	L	D	H	W
GV0503200	GV0503200	1/2	1.69	.50	2.74	2.08
GV0753200	GV0753200	3/4	1.81	.66	2.95	2.08
GV1003200	GV1003200	1	2.04	.82	3.32	2.36
GV1253200	GV1253200	1 1/4	2.55	1.06	3.89	2.83
GV1503200	GV1503200	1 1/2	2.59	1.33	4.31	2.83
GV2003200	GV2003200	2	3.24	1.77	5.13	3.14

## MATERIAL LIST

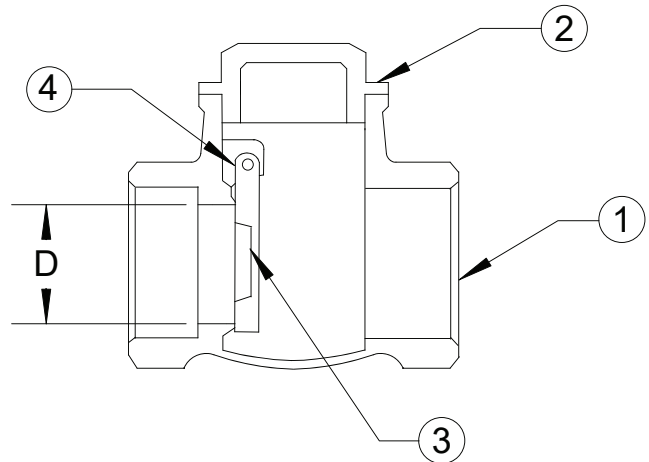
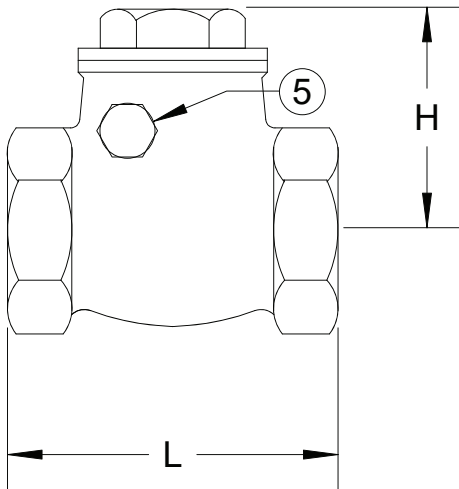
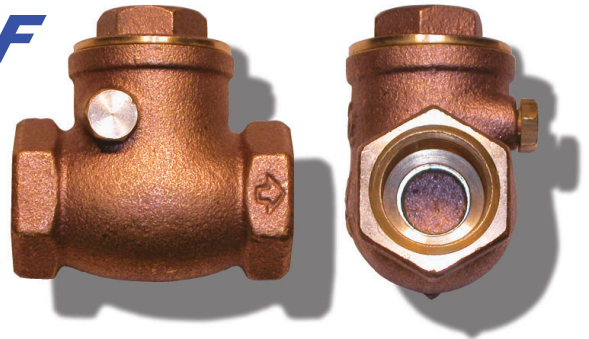
NO.	PART NAME	GV MATERIAL	GVLf MATERIAL
11	WASHER	PTFE	PTFE
10	LOCK NUT	BRASS (ASTM-UNS B16 C36000)	BRASS HPb58-2
9	GLAND RING	BRASS (ASTM-UNS B16 C36000)	BRASS HPb58-2
8	NUT	STEEL (SAE 1010R)	304 SST
7	PACKING	PTFE	PTFE
6	HANDWHEEL	CAST IRON	CAST IRON
5	PACKING NUT	BRASS (ASTM-UNS B16 C36000)	BRASS HPb58-2
4	STEM	BRASS 1/2" to 2" (ASTM-UNS B16 C36000) 2 1/2" to 4" (ASTM-UNS B584 C85710)	BRASS C46500
3	DISC	BRASS (ASTM-UNS B584 C85710)	BRASS C46500
2	BONNET	BRASS (ASTM-UNS B584 C85710)	BRASS C46500
1	BODY	BRASS (ASTM-UNS B584 C85710)	BRASS C46500



PRIVATE LABEL

# CHV4100 - CHV4100LF SERIES NPT SWING CHECK VALVE

A high quality, cast brass, straight pattern, swing check valve with screw cap and metal disk. Rated at 200 WOG.



## DIMENSIONS

CAT. NO.	CAT. NO.	SIZE	L	D	H
CHV0504100	CHV0504100LF	1/2	1.81	.51	1.33
CHV0754100	CHV0754100LF	3/4	2.20	.70	1.47
CHV1004100	CHV1004100LF	1	2.48	.86	1.75
CHV1254100	CHV1254100LF	1 1/4	2.65	1.14	1.96
CHV1504100	CHV1504100LF	1 1/2	3.22	1.29	2.22
CHV2004100	CHV2004100LF	2	3.70	1.65	2.53
CHV2504100	CHV2504100LF	2 1/2	4.17	1.96	2.99
CHV3004100	CHV3004100LF	3	4.98	2.44	3.22
CHV4004100	CHV4004100LF	4	6.25	3.26	4.05

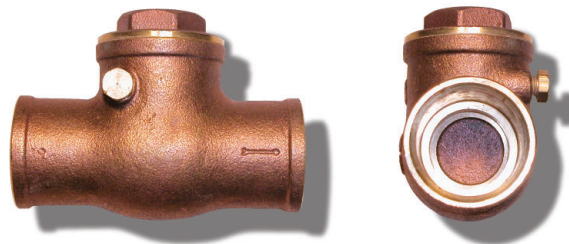
## MATERIAL LIST

NO.	PART NAME	CHV MATERIAL	CHVLF MATERIAL
5	LOCK BOLT	BRASS (ASTM-UNS B16 C36000)	BRASS C46500
4	PIN	BRASS (ASTM-UNS B124 C37700)	BRASS C46500
3	DISC	BRASS (ASTM-UNS B584 C85710)	BRASS C46500
2	CAP	BRASS (ASTM-UNS B584 C85710)	BRASS C46500
1	BODY	BRASS (ASTM-UNS B584 C85710)	BRASS C46500

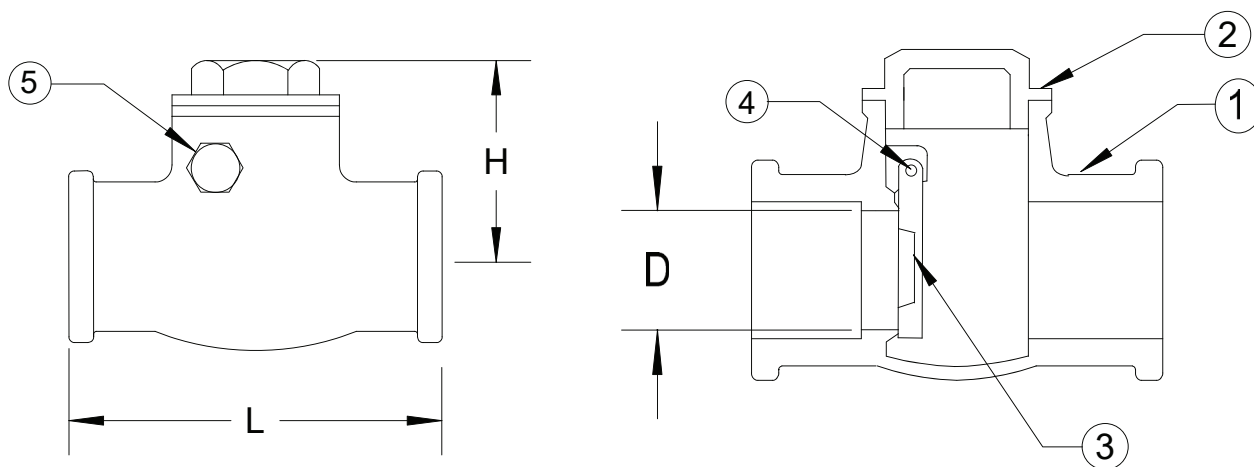
PRIVATE LABEL

# CHV4200 - CHV4200LF SERIES SOLDER SWING CHECK VALVE

A high quality, cast brass, straight pattern, swing check valve with screw cap and metal disk. Rated at 200 WOG.



## PRIVATE LABEL



## DIMENSIONS

CAT. NO.	CAT. NO.	SIZE	L	D	H
CHV0504200	CHV0504200LF	1/2	2.48	.59	1.31
CHV0754200	CHV0754200LF	3/4	2.99	.82	1.53
CHV1004200	CHV1004200LF	1	3.30	1.06	1.75
CHV1254200	CHV1254200LF	1 1/4	3.87	1.29	2.00
CHV1504200	CHV1504200LF	1 1/2	4.33	1.55	2.22
CHV2004200	CHV2004200LF	2	5.41	2.04	2.57
CHV2504200	CHV2504200LF	2 1/2	4.17	1.96	2.99
CHV3004200	CHV3004200LF	3	4.98	2.44	3.22
CHV4004200	CHV4004200LF	4	6.25	3.26	4.05

## MATERIAL LIST

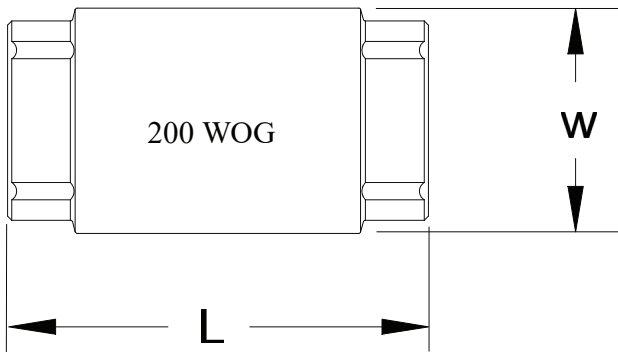
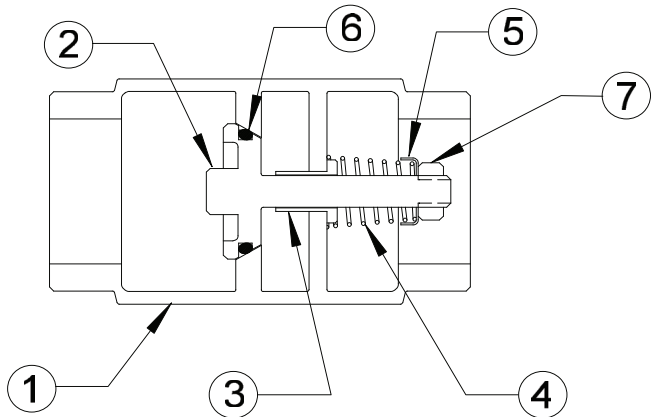
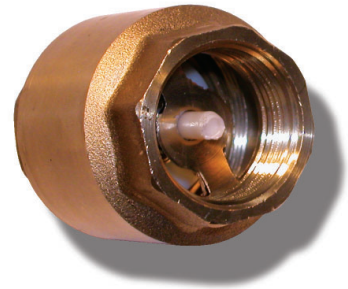
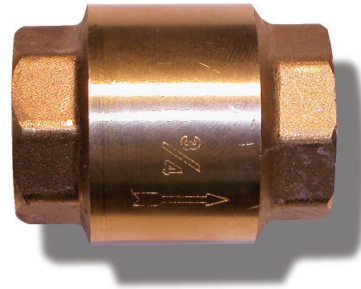
NO.	PART NAME	CVH MATERIAL	CVHLF MATERIAL
5	LOCK BOLT	BRASS (ASTM-UNS B16 C36000)	BRASS C46500
4	PIN	BRASS (ASTM-UNS B124 C37700)	BRASS C46500
3	DISC	BRASS (ASTM-UNS B584 C85710)	BRASS C46500
2	CAP	BRASS (ASTM-UNS B584 C85710)	BRASS C46500
1	BODY	BRASS (ASTM-UNS B584 C85710)	BRASS C46500

## PRIVATE LABEL

# SCV4100 SERIES

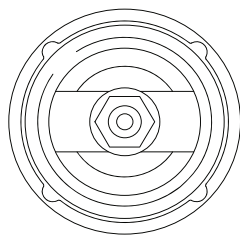
## NPT SPRING CHECK VALVE

A high quality, cast brass, straight pattern, spring check valve with one piece body and soft seat.  
Rated at 200 WOG.



### DIMENSIONS

CAT. NO.	SIZE	L	W	LBS
SCV0504100	1/2	2.40	1.26	.43
SCV0754100	3/4	2.74	1.50	.59
SCV1004100	1	3.23	1.77	.86
SCV1254100	1 1/4	3.62	2.13	1.44
SCV1504100	1 1/2	4.04	2.36	1.54
SCV2004100	2	5.04	3.03	3.21



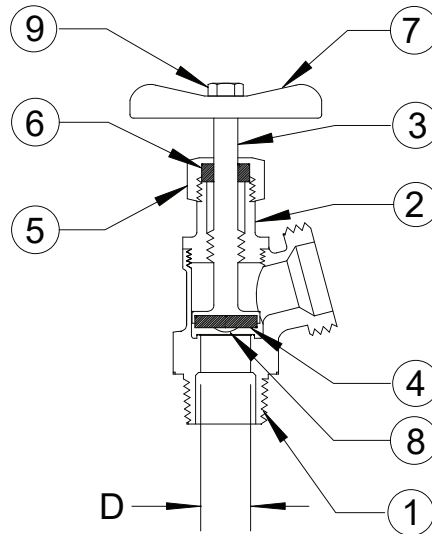
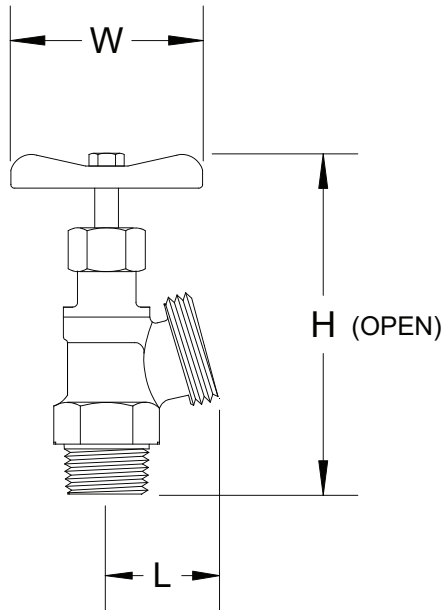
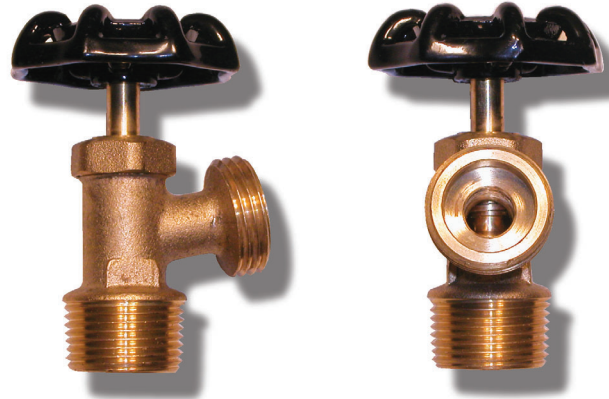
### MATERIAL LIST

NO.	PART NAME	MATERIAL
7	STEM NUT	BRASS (ASTM-UNS B16 C36000)
6	O-RING	RUBBER
5	SPRING RETAINER	STAINLESS STEEL (304)
4	SPRING	STAINLESS STEEL (304)
3	GUIDE	POLYACETAL (CF 500 P)
2	STEM/DISC	BRASS (ASTM-UNS B584 C85710)
1	BODY	BRASS (ASTM-UNS B584 C85710)

PRIVATE LABEL

# **BOD1000** **CONVENTIONAL** **BOILER DRAIN**

A quality, cast brass, globe type boiler drain with cast iron hand wheel.



## **DIMENSIONS**

CAT. NO.	SIZE	L	D	H	W
<b>BOD0501000</b>	<b>1/2</b>	<b>1.50</b>	<b>.54</b>	<b>3.62</b>	<b>2.12</b>
<b>BOD0751000</b>	<b>3/4</b>	<b>1.50</b>	<b>.54</b>	<b>3.80</b>	<b>2.12</b>

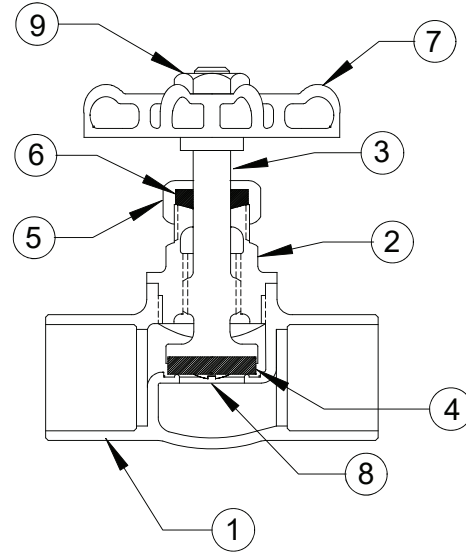
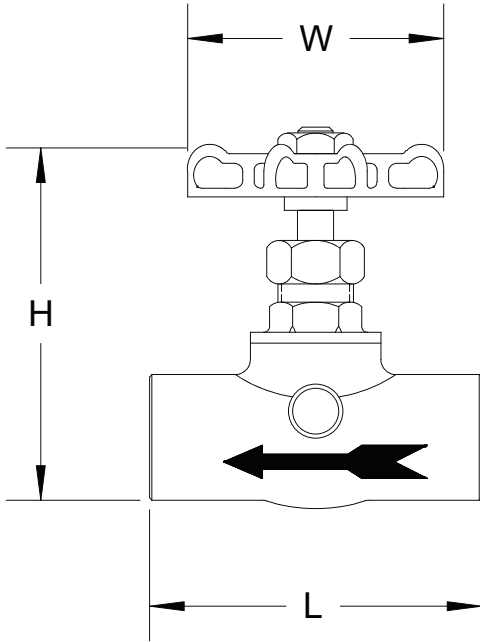
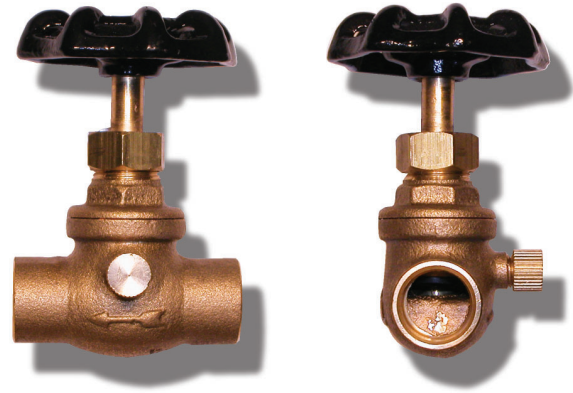
## **MATERIAL LIST**

NO.	PART NAME	MATERIAL
9	NUT	BRASS
8	SCREW	BRASS
7	HANDWHEEL	CAST IRON
6	STEM PACKING	BUNA
5	PACKING NUT	BRASS
4	SEAT	BUNA
3	STEM	BRASS
2	BONNET	BRASS
1	BODY	BRASS

**PRIVATE LABEL**

# STO3000 GLOBE TYPE STOP & WASTE VALVE

A quality, cast brass, globe type stop & waste valve with cast iron hand wheel.



## DIMENSIONS

CAT. NO.	SIZE	L	D	W
STO0503000	1/2	2.17	3.17	2.1
STO0753000	3/4	2.73	3.33	2.1

## MATERIAL LIST

NO.	PART NAME	MATERIAL
9	NUT	STEEL
8	SCREW	BRASS
7	HANDWHEEL	CAST IRON
6	STEM PACKING	BUNA
5	PACKING NUT	BRASS
4	SEAT	BUNA
3	STEM	BRASS
2	BONNET	BRASS
1	BODY	BRASS

PRIVATE LABEL

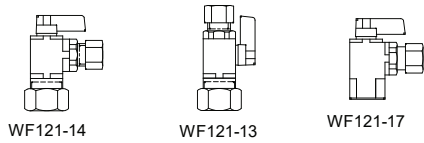
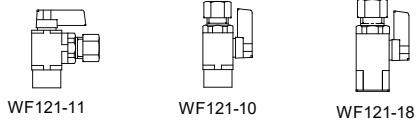


# WF-121LF SERIES

## 1/4 TURN STOP VALVES

A full line of chrome plated quarter turn ball valve type supply stops. All interior metal parts and precision machined brass.

### PRIVATE LABEL

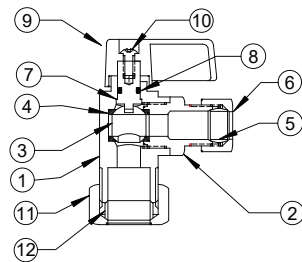


### DESCRIPTION

TYPE	CAT. NO.	PATTERN	INLET	OUTLET
LAV STOPS	WF121-10LF	STRAIGHT	1/2 COPPER	3/8 TUBE
	WF121-11LF	ANGLE	1/2 COPPER	
	WF121-13LF	STRAIGHT	5/8 COMPRESSION	
	WF121-14LF	ANGLE	5/8 COMPRESSION	
	WF121-17LF	ANGLE	3/8 NPT	
	WF121-18LF	STRAIGHT	3/8 NPT	
	WF121-19LF	STRAIGHT	1/2 NPT	
	WF121-20LF	ANGLE	1/2 NPT	
	WF121-21LF	STRAIGHT	1/2 PEX	
	WF121-22LF	ANGLE	1/2 PEX	

### MATERIALS, TYPICAL

NO.	PART NAME	MATERIALS
12	5/8 FERRULE	BRASS
11	5/8 COMPRESSION NUT	BRASS, CHROME PLATED
10	SCREW	STEEL,CAD PLATED
9	HANDLE	DIE CAST
8	O-RING	BUNA
7	STEM	BRASS
6	3/8 COMPRESSION NUT	BRASS, CHROME PLATED
5	3/8 FERRULE	BRASS
4	SEAT	PTFE
3	BALL	BRASS
2	END CAP	BRASS C46400, CHROME PLATED
1	BODY	BRASS C46400, CHROME PLATED



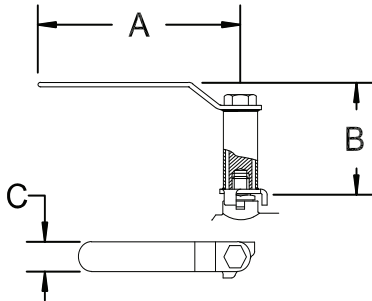
### PRIVATE LABEL

# ***BALL VALVE HANDLE OPTIONS***

## **PRIVATE LABEL**



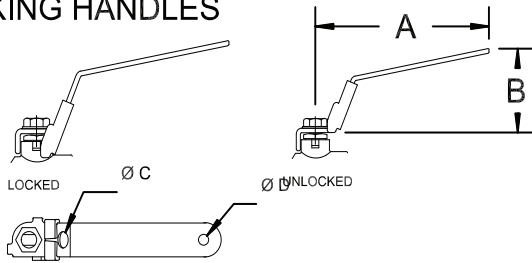
### EXTENDED HEIGHT HANDLES



#### **DIMENSIONS**

P/N	SIZE	A	B	C
XH1	1/4 - 3/8 - 1/2	3 1/2	2 7/8	3/4
XH2	3/4 - 1	4 1/2	2 7/8	7/8
XH3	1 1/4 - 1 1/2 - 2	5 1/2	2 7/8	1

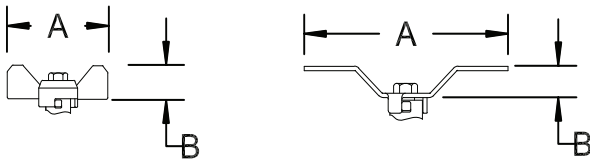
### LOCKING HANDLES



#### **DIMENSIONS**

P/N	SIZE	A	B	C	D
LH1	1/4, 3/8, 1/2	4 1/4	1 3/4	3/16	9/64
LH2	3/4, 1	4 3/4	2	5/16	1/4
LH3	1 1/4 - 1 1/2 - 2	5 1/2	1 1/2	5/16	1/4

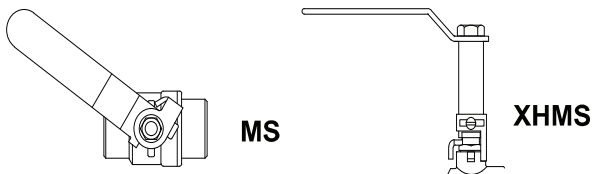
### TEE HANDLES



#### **DIMENSIONS**

P/N	SIZE	A	B
CT1	1/4 - 3/8 - 1/2	2	5/8
CT2	3/4 - 1	2 1/2	3/4
FM150	1 1/4 - 1 1/2 - 2	6	1 1/4
TH4	2 1/2 - 3 - 4	8 7/8	1 3/4

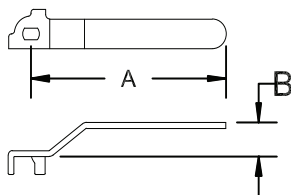
### MEMORY STOPS



#### **DIMENSIONS**

P/N	SIZE	A	B
MS1	1/4 - 3/8 - 1/2		
MS2	3/4 - 1		
MS3	1 1/4 - 1 1/2 - 2		
XHMS1	1/4 - 3/8 - 1/2	3 1/2	2 7/8
XHMS2	3/4 - 1	4 1/2	2 7/8
XHMS3	1 1/4 - 1 1/2 - 2	5 1/2	2 7/8

### STAINLESS STEEL HANDLES



#### **DIMENSIONS**

P/N	SIZE	A	B
SSH1	1/4 - 3/8 - 1/2	3 5/8	3/4
SSH2	3/4 - 1	4 5/8	3/4
SSH3	1 1/4 - 1 1/2 - 2	5 5/8	1

## **PRIVATE LABEL**

# **PRIVATE LABEL PROGRAM**

**Advertise your business for free!**

**Add your company name and/or logo on our valve handles.**

**Here are the details.....**

**Minimum order quantity is 100 valves. Please inquire about smaller orders.**

**Supply your own digital artwork or we will develop it for you.**

**Available handle colors: Yellow, Orange, Green, Neon Green, Blue, Red, Black & White.**

**Standard print colors are: Black, White, Blue, Red, Gold, Green, Orange and Pink. Please feel free to inquire about other color possibilities.**

**A one time artwork and screen development charge of \$100. Currently being waved with first order.**

**All orders can be shipped directly to you or your customer.**

**Allow 1-2 weeks lead time after receipt of order and approval of artwork**

**Full freight allowed on orders of \$1000 or more.**

**Please contact us directly for further information.**

**AGS-TECH, Inc.**

**Ph: (505) 550-6501 & (505) 565-5102**

**Fx: (505) 814-5778**

**Email: sales@agstech.net**

**Web: www.agstech.net**