



Industrial Touch Monitor

10.1" Industrial Touch Monitor

AGS-TECH Inc
Phone: +1-505-550-6501 and +1-505-565-5102
Fax: +1-505-814-5778
Email: sales@agstech.net
Web: <http://www.agstech.net>



DFI[®]

Revision Control • Long Product Life Cycle



LM101



► Features

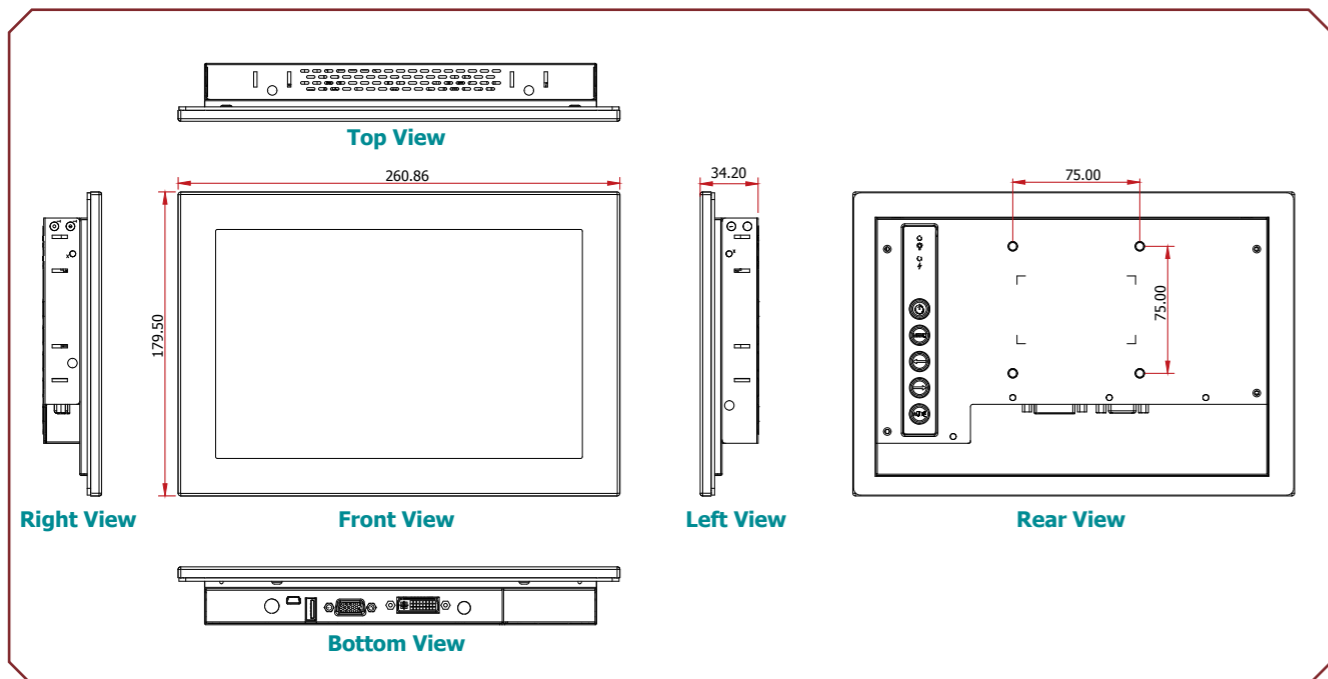
- 10.1" 1280x800 TFT LCD Panel
- 5 Function keys
- Powered by mini USB connector
- Plug-and-Display
- 1 DVI-I (DVI-D signal), 1 VGA



► Panel



► Dimensions



LM101

► Specifications

DISPLAY

- 10.1" 1280x800 TFT LCD monitor
- 300 nits SVGA
- 15,000 MTBF LED backlight

I/O PORTS

- Bottom
 - 1 USB 2.0/1.1 port (Type B)
 - 1 DVI-I port (DVI-D signal)
 - 1 VGA port
 - 1 +5V mini USB power connector
- Rear
 - 5 function keys: Power, Menu, Left/Up, Right/Down, Auto/Exit
 - Power LED
 - Standby LED

POWER

- Power input voltage: +5V mini USB power connector

ENVIRONMENT

- Temperature
 - Operating: 0°C ~ 45°C
 - Storage: -30°C ~ 70°C
- Relative Humidity
 - 90% RH at 45°C

VIBRATION

- Operating: 1G, 5~500Hz
- Non-operating: 2G, 5~25Hz
- IEC 68-2-64 compliant

SHOCK

- Operating: 3G peak acceleration (11 msec. duration)
- Non-operating: 10G peak acceleration (11 msec. duration)
- IEC 68-2-27 compliant

FRONT PANEL PROTECTION

- IP54 (Water Proof protection)

CONSTRUCTION

- SGCC

MOUNTING

- Wall mount bracket (option)
- Panel mount: mounting clamp (option)

DIMENSIONS

- 260.86mm x 179.50mm x 34.20mm (W x H x D)

WEIGHT

- TBD

AGS-TECH Inc

Phone: +1-505-550-6501 and +1-505-565-5102

Fax: +1-505-814-5778

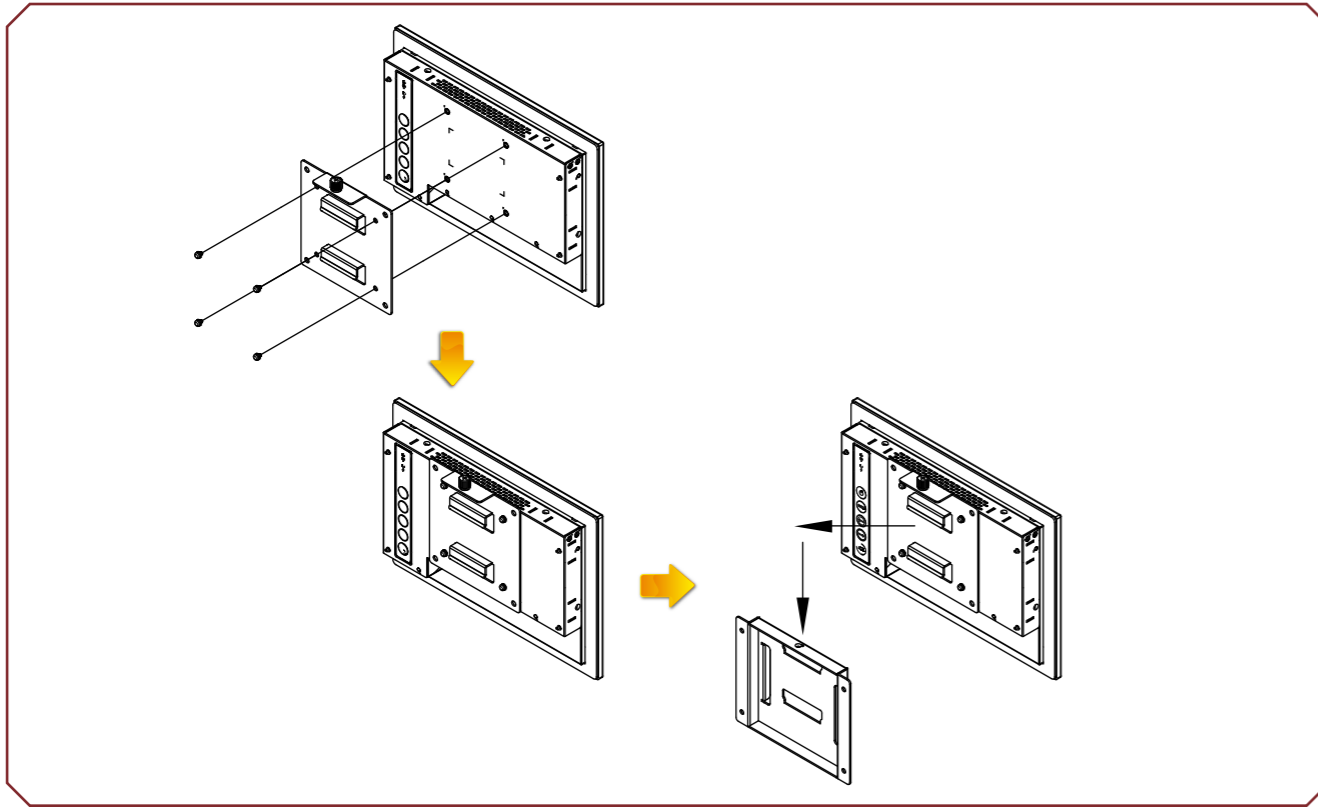
Email: sales@agstech.net

Web: <http://www.agstech.net>

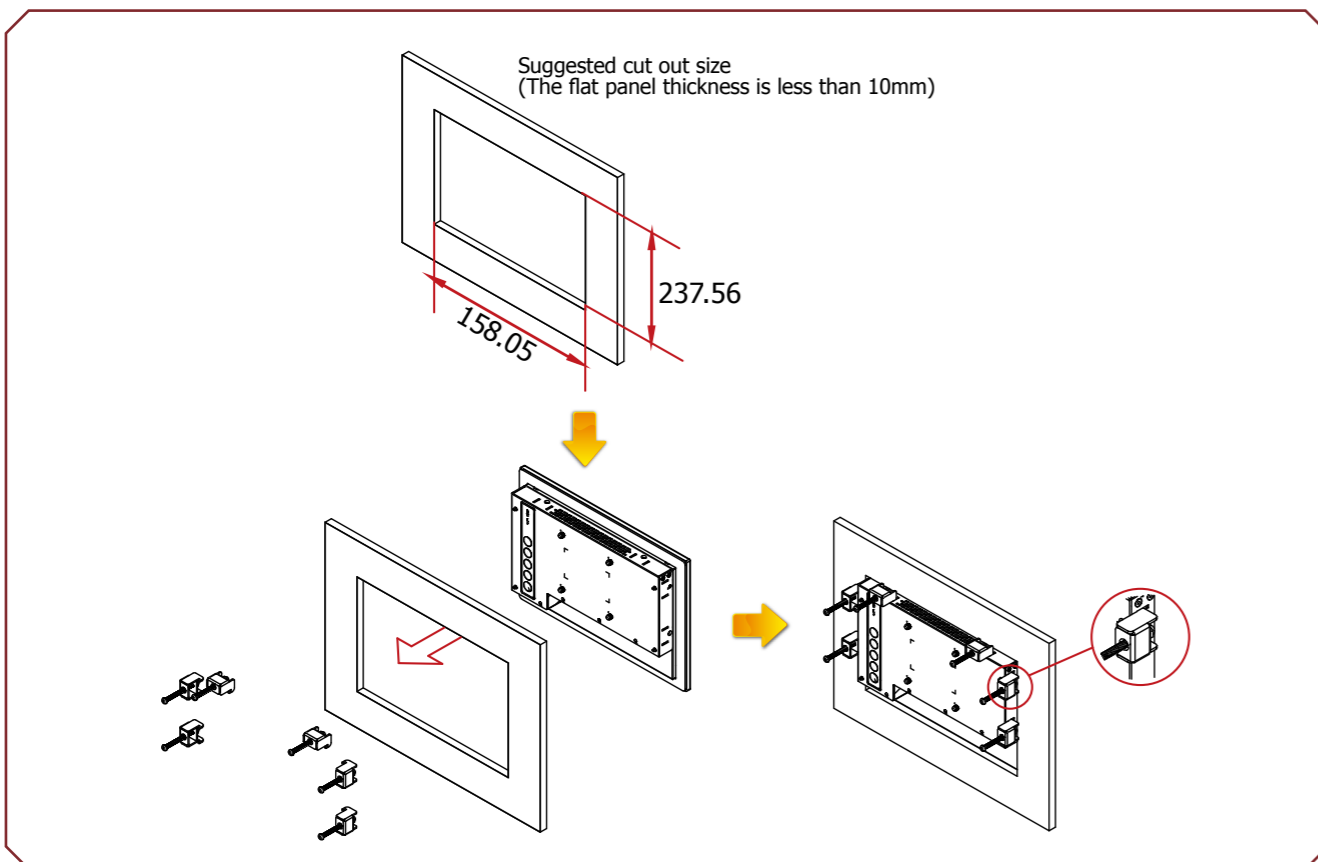


LM101

► Wall Mounting



► Panel Mounting



LM101

► Ordering Information

Model Name	Part Number	Description
LM101-NU	750-LM1010-000G	10.1" Panel PC, 1280x800, mini USB power, display monitor
LM101-RU	750-LM1010-100G	10.1" Panel PC, 1280x800, mini USB power, resistive touch screen monitor

► Optional Items

Optional Items	Part Number	Description
Wall Mount	785-PPCWMK	Standard Panel PC Wall Mount kit
Panel Mount	785-070PMK	Panel Mount Kit, RoHS

► Packing List

• 1 LM101 system unit
• 1 VGA cable
• 1 USB type A to mini USB power cable
• 1 Quick Installation Guide
• 1 CD disk includes:
- Drivers / Manual

AGS-TECH Inc

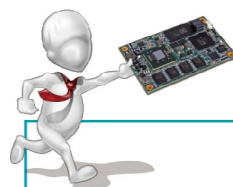
Phone: +1-505-550-6501 and +1-505-565-5102

Fax: +1-505-814-5778

Email: sales@agstech.net

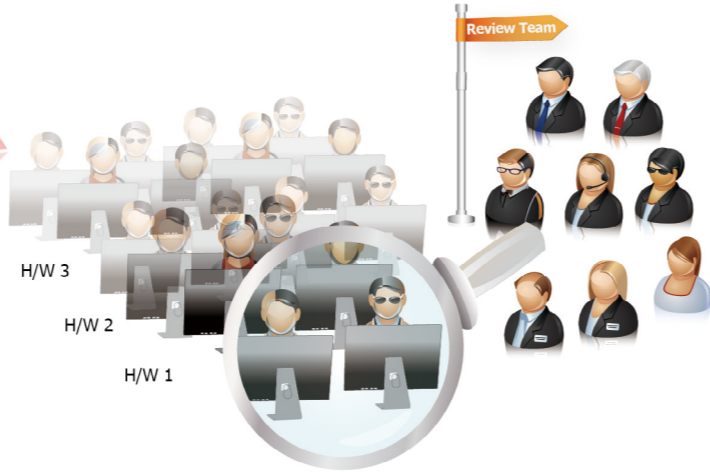
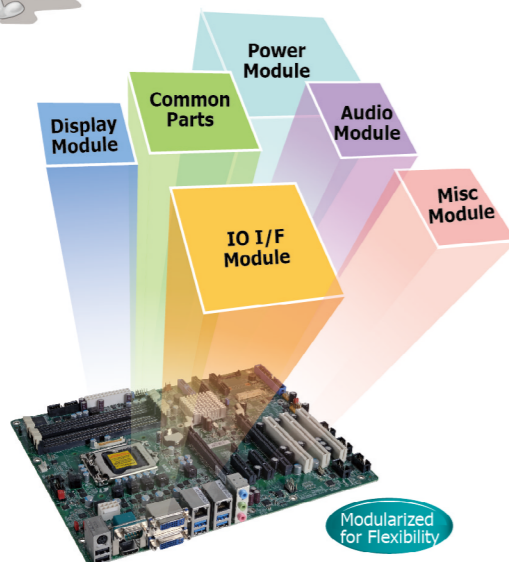
Web: <http://www.agstech.net>





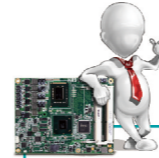
Design

We Focus on Research and Development



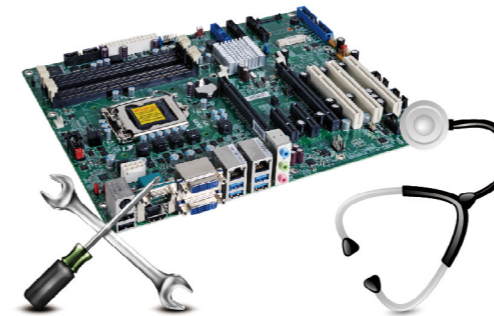
1. Modular Design
Consistency in design and quality
Shortens development process

2. Dedicated Design Review Team
The review team checks and verifies the circuit, layout and components



Quality

Reliable quality



1. Less than 0.3% RMA Return Rate

2. Certifications
Conforms to International Standards



Service

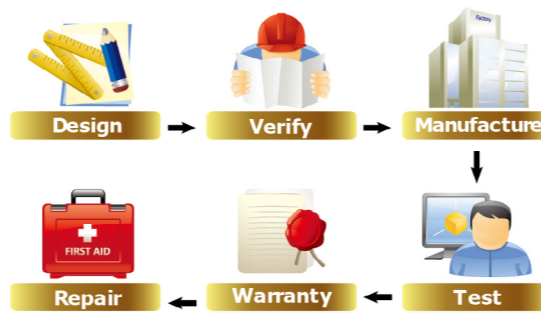
Quick and Efficient Services



Express Customization Service
working
30 DAYS



2. Custom BIOS, API, OS Image



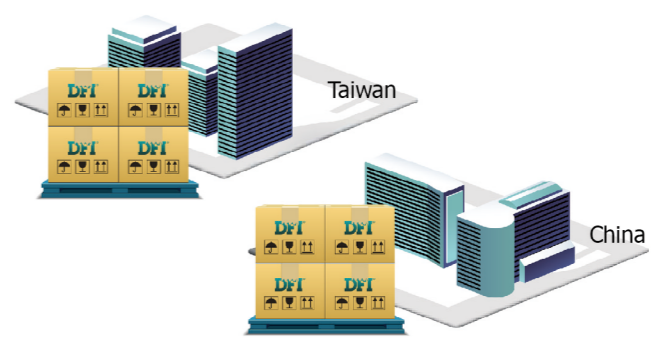
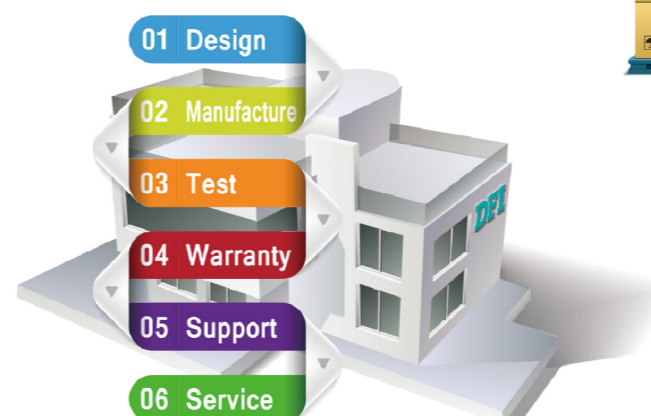
1. Express Customization Service: 30 days
First engineering sample available within 30 working days

3. OEM/ODM/EMS
We provide well-rounded support and services that fit your need



Manufacturing

100% in-house



2. Two manufacturing sites produce the same quality products

1. From project kickoff to life cycle management: 100% in-house

3. 32 years of experience in volume production (up to 250K/m)

