

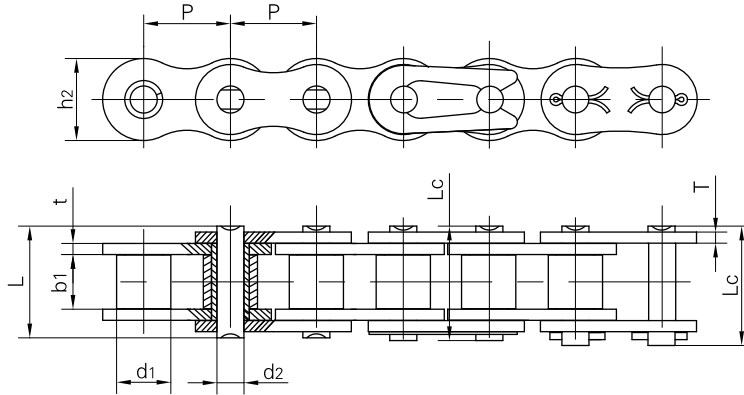


# AGS-TECH VISION CHAINS

## 不锈钢 Stainless steel chain

### 不锈钢滚子链 Stainless steel roller chains

不锈钢链条适合在易受食品、化学、药品等侵蚀场合使用，还可用于高低温场合。  
Stainless steel chains are suitable for corrosive conditions involving food, chemicals, pharmaceuticals, etc. also suitable for high and low temperature conditions



Vision Chain No.	节距	滚子直径	内节内宽	销轴直径	销轴长度		内链板高度	链板厚度	破断载荷	每米长重
	Pitch	Roller diameter	Width between inner plates	Pin diameter	Pin length		Inner plate depth	Plate thickness	Breaking load	Weight per meter
	P	d1 max	b1 min	d2 max	L max	Lc max	h2 max	t/T max	Q	q
	mm	mm	mm	mm	mm	mm	mm	mm	kN	kg/m
*25SS	6.350	3.30	3.18	2.31	7.9	8.4	6.00	0.8	2.5/568	0.15
*35SS	9.525	5.08	4.77	3.58	12.4	13.17	9.00	1.30	5.5/1250	0.33
40SS	12.700	7.95	7.85	3.96	16.6	17.8	12.00	1.50	9.6/2182	0.63
41SS	12.700	7.77	6.25	3.58	13.75	15.0	9.91	1.30	6.0/1360	0.46
50SS	15.875	10.16	9.40	5.08	20.7	22.2	15.09	2.03	15.2/3455	1.03
60SS	19.050	11.91	12.57	5.94	25.9	27.7	18.00	2.42	21.7/4932	1.51
80SS	25.400	15.88	15.75	7.92	32.7	35.0	24.00	3.25	38.9/8841	2.62
100SS	31.750	19.05	18.90	9.53	40.4	44.7	30.00	4.00	60.0/13636	3.94
120SS	38.100	22.23	25.22	11.10	50.3	54.3	35.70	4.80	72.5/16477	5.72
140SS	44.450	25.40	25.22	12.70	54.4	59.0	41.0	5.60	94.0/21363	7.70
04BSS	6.000	4.00	2.80	1.85	6.80	7.8	5.00	0.60	2.0/455	0.11
05BSS	8.000	5.00	3.00	2.31	8.20	8.9	7.10	0.80	3.5/795	0.20
#06BSS	9.525	6.35	5.72	3.28	13.15	14.1	8.20	1.30	6.2/1409	0.41
08BSS	12.700	8.51	7.75	4.45	16.7	18.2	11.80	1.60	12.0/2727	0.70
10BSS	15.875	10.16	9.65	5.08	19.5	20.9	14.70	1.70	14.5/3295	0.94
12BSS	19.050	12.07	11.68	5.72	22.5	24.2	16.00	1.85	18.5/4205	1.16
16BSS	25.400	15.88	17.02	8.28	36.1	37.4	21.00	4.15/3.1	40.0/9091	2.73
20BSS	31.750	19.05	19.56	10.19	41.3	45.0	26.40	4.5/3.5	59.0/13409	3.73
24BSS	38.100	25.40	25.40	14.63	53.4	57.8	33.20	6.0/4.8	104.0/25454	7.20
32BSS	50.800	29.21	30.99	17.81	66.0	71.0	42.00	7.0/6.0	150.0/34090	10.22

\*套筒链：表中滚子直径d1为套筒直径

\*Bushing chain: d1 in the table indicate the external diameter of the bushing

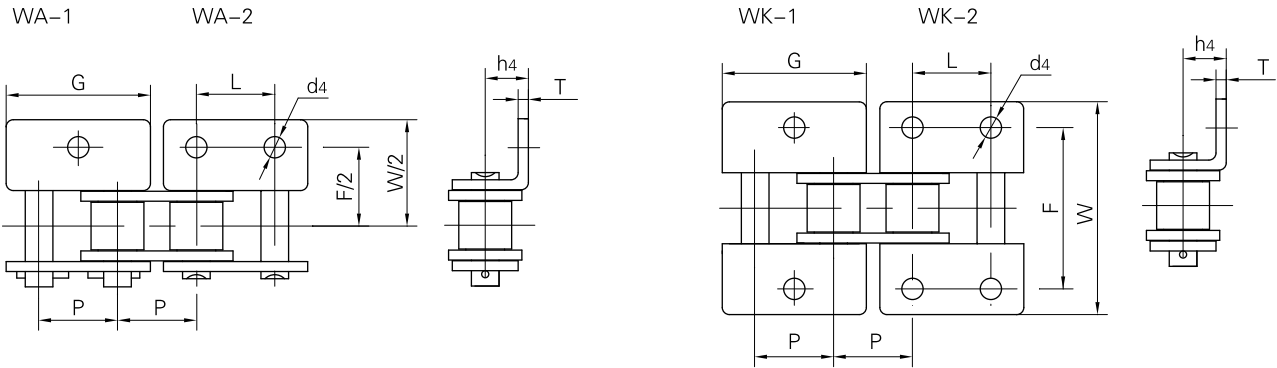
#直链板 #Straight side plates



# AGS-TECH VISION CHAINS

## 不锈钢 Stainless steel chain

短节距不锈钢滚子链附件  
Short pitch stainless steel roller chain with attachments



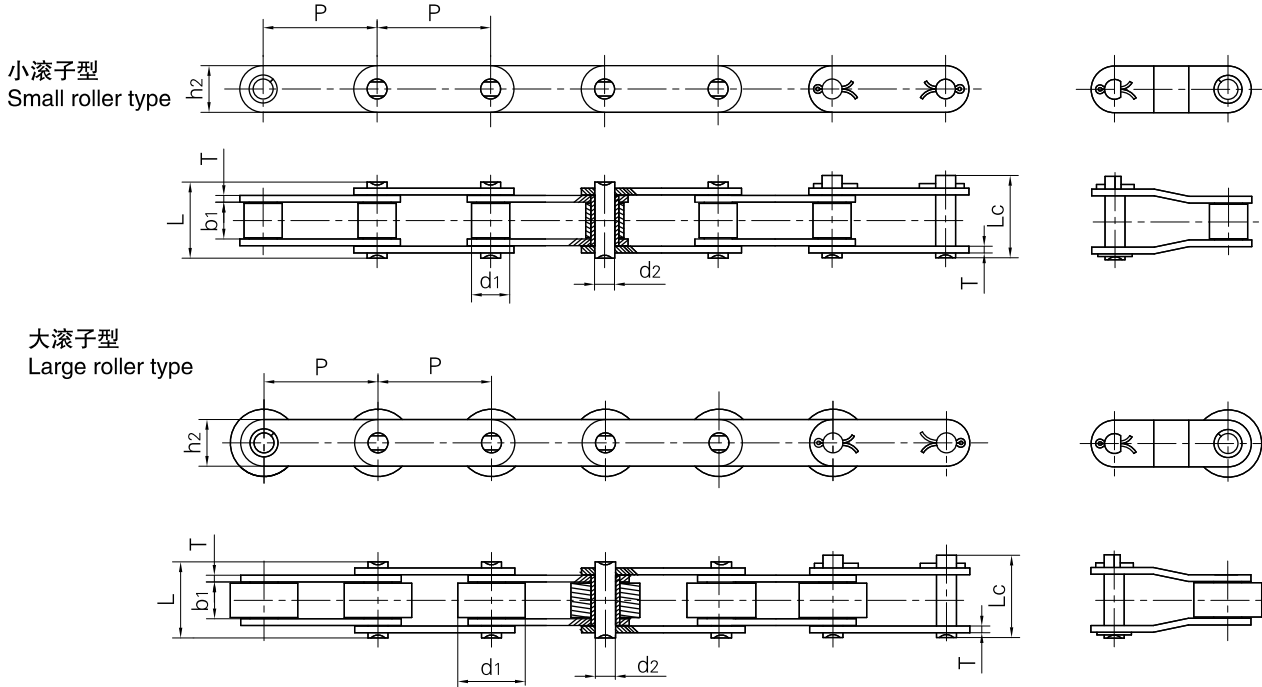
Vision Chain No.	P	G	L	F	W	T	h <sub>4</sub>	d <sub>4</sub>
	mm	mm	mm	mm	mm	mm	mm	mm
40SS	12.700	23.00	12.700	25.4	35.60	1.50	7.90	3.4
50SS	15.875	28.80	15.875	31.8	46.80	2.03	10.30	5.5
60SS	19.050	34.65	19.050	38.1	56.40	2.42	11.90	5.5
80SS	25.400	45.90	25.400	50.8	73.20	3.25	15.90	6.8
100SS	31.750	57.65	31.750	63.5	89.80	4.00	19.80	9.2
08BSS	12.700	24.00	12.700	25.4	36.40	1.60	8.90	4.3
10BSS	15.875	29.58	15.875	31.8	44.60	1.70	10.31	5.3
12BSS	19.050	34.05	19.050	38.1	52.40	1.85	13.46	6.4
16BSS	25.400	46.40	25.400	50.8	72.60	3.10	15.88	6.4
20BSS	31.750	58.10	31.750	63.0	100.50	3.50	19.80	9.0



# AGS-TECH VISION CHAINS

## 不锈钢 Stainless steel chain

### 双节距不锈钢滚子链 Double pitch stainless steel roller chains



Vision Chain No.	节距	滚子直径	内节内宽	销轴直径	销轴长度		内链板高度	链板厚度	破断载荷	每米长重
	P	d1 max	b1 min	d2 max	L max	Lc max	h2 max	T max	Q min	q
	mm	mm	mm	mm	mm	mm	mm	mm	kN/LB	kg/m
C2040SS C2042SS	25.40	7.95 15.88	7.85	3.96	16.6	17.8	12.0	1.50	9.6/2182	0.51 0.85
C2040HSS	25.40	7.95	7.85	3.96	18.8	19.9	12.0	2.03	9.6/2182	0.66
C208BSS C208BLSS	25.40	8.51 15.88	7.75	4.45	16.7	18.2	11.8	1.60	12.0/2727	0.56 0.90
C2050SS C2052SS	31.75	10.16 19.05	9.40	5.08	20.7	22.2	15.0	2.03	15.2/3455	0.79 1.29
C2060SS C2062SS	38.10	11.91 22.23	12.57	5.94	25.9	27.7	18.0	2.42	21.7/4932	1.13 1.63
C2060HSS C2062HSS	38.10	11.91 22.23	12.57	5.94	29.2	31.6	18.0	3.25	21.7/4932	1.46 2.10
C2080SS C2082SS	50.80	15.88 28.58	15.75	7.92	32.7	36.5	24.0	3.25	38.9/8841	2.11 3.16
C2080HSS C2082HSS	50.80	15.88 28.58	15.75	7.92	36.2	39.4	24.0	4.00	38.9/8841	2.57 3.63
C2100SS C2102SS	63.50	19.05 39.67	18.90	9.53	40.4	44.7	30.0	4.00	60.0/13636	3.05 4.89
C2100HSS C2102HSS	63.50	19.05 39.67	18.90	9.53	43.6	46.9	30.0	4.80	60.0/13636	3.61 5.45

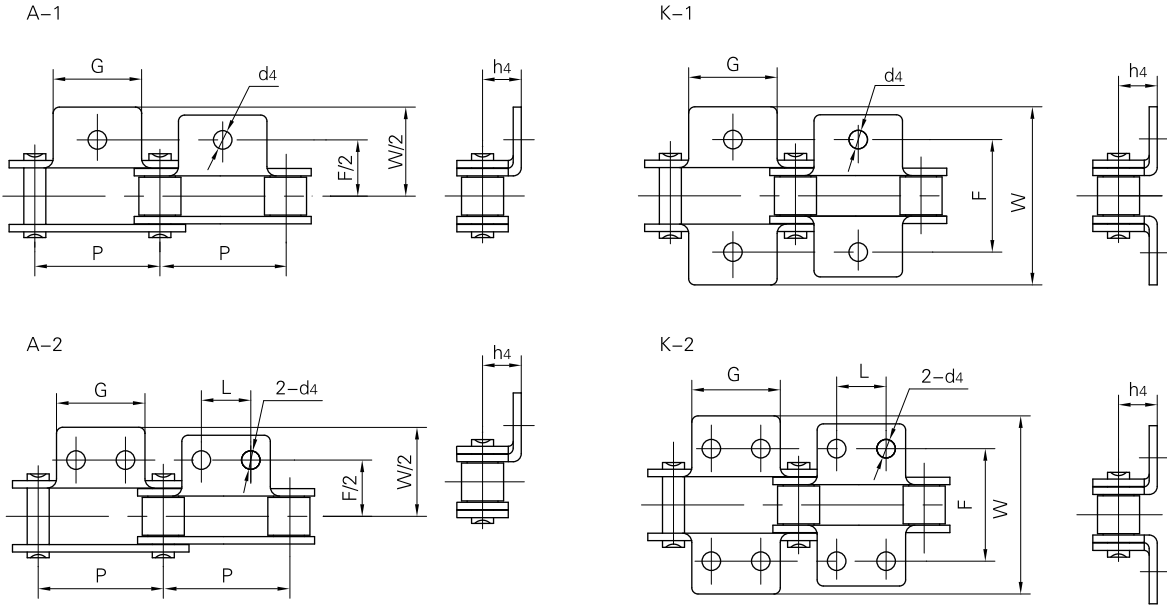


# AGS-TECH VISION CHAINS

## 不锈钢 Stainless steel chain

### 双节距不锈钢滚子链附件

Double pitch stainless steel roller chain with attachments



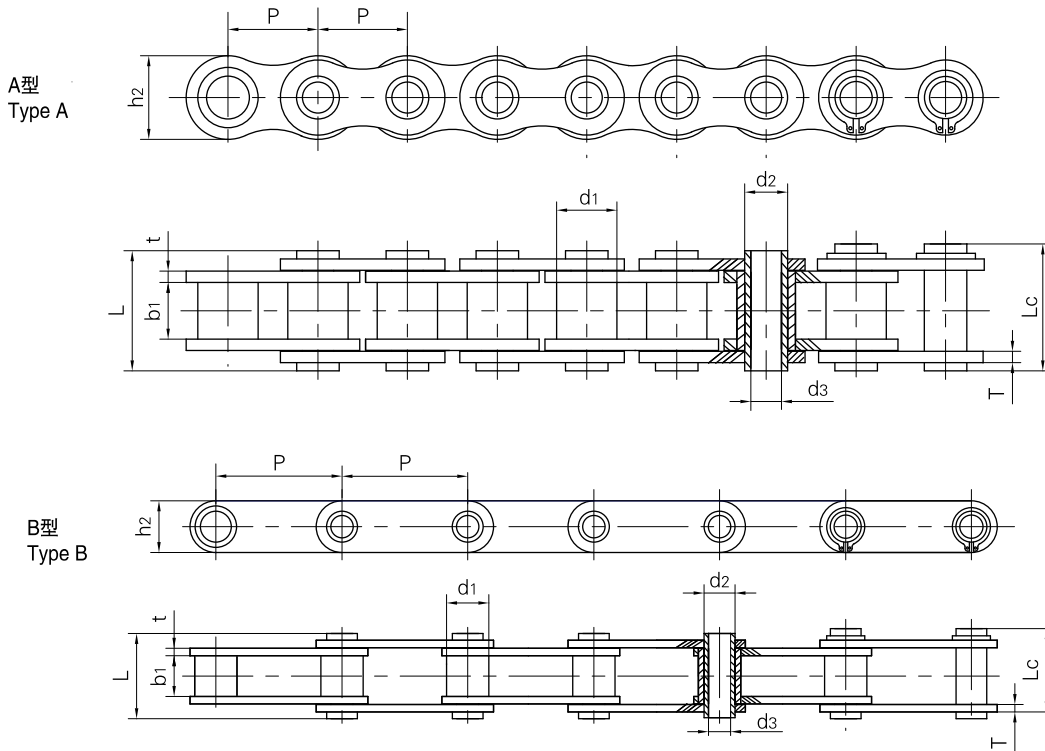
Vision Chain No.	P	G	L	F	W	h <sub>4</sub>	d <sub>4</sub>
	mm	mm	mm	mm	mm	mm	mm
C2040SS C2042SS	25.4	19.1	9.5	25.4	39.6	9.1	3.4
C208BSS C208BLSS	25.4	23.2	12.7	25.4	39.6	9.1	4.5
C2050SS C2052SS	31.75	23.8	11.9	31.8	49.0	11.1	5.5
C2060SS C2062SS	38.1	28.6	14.3	42.9	67.8	14.7	5.5
C2060HSS C2062HSS	38.1	28.6	14.3	42.9	67.8	14.7	5.5
C2080SS C2082SS	50.8	38.1	19.1	55.6	87.8	19.1	6.8
C2080HSS C2082HSS	50.8	38.1	19.1	55.6	87.8	19.1	6.8
C2100SS C2102SS	63.5	47.6	23.8	66.6	107.5	23.4	9.2
C2100HSS C2102HSS	63.5	47.6	23.8	66.6	107.5	23.4	9.2



# AGS-TECH VISION CHAINS

## 不锈钢 Stainless steel chain

### 不锈钢空心销轴链 Stainless steel hollow chains



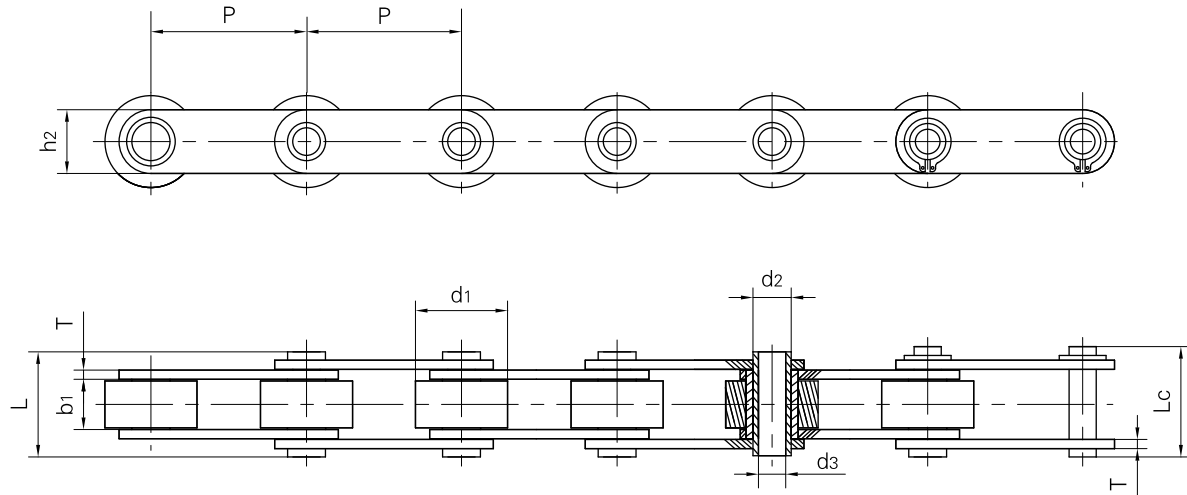
Vision Chain No.	节距	套筒直径	内节内宽	销轴直径		销轴长度		内链板高度	链板厚度	破断载荷	每米长重	型号
	Pitch	Bush diameter	Width between inner plates	Pin diameter		Pin length		Inner plate depth	Plate thickness	Breaking load	Weight per meter	Type
	P	d1 max	b1 min	d2 max	d3 min	L max	Lc max	h2 max	t/T max	Q min	q	
	mm	mm	mm	mm	mm	mm	mm	mm	mm	kN/LB	kg/m	
08BHPFSS	12.700	8.51	7.75	6.55	4.50	16.4	17.6	11.80	1.6/1.3	7.8/1773	0.57	A
40HPSS	12.700	7.95	7.85	5.63	4.00	16.5	17.6	12.00	1.50	7.7/1750	0.55	A
50HPSS	15.875	10.16	9.40	7.03	5.13	20.7	21.9	15.09	2.03	14.0/3182	0.92	A
60HPSS	19.050	11.91	12.70	8.31	6.00	25.8	26.8	18.00	2.42	16.8/3818	1.31	A
*12BHPSS	19.050	12.07	11.68	6.50	4.00	21.6	22.8	15.90	1.85	16.5/3750	1.10	A
80HPSS	25.400	15.88	15.75	11.40	8.05	32.5	33.8	24.00	3.25	35.0/7955	2.29	A
C2040HPSS	25.400	7.95	7.85	5.63	4.00	16.5	17.6	12.00	1.50	7.7/1750	0.47	B
C2050HPSS	31.750	10.16	9.40	7.22	5.12	20.5	21.8	15.00	2.03	14.3/3250	0.77	B
C2060HPSS	38.100	11.91	12.70	8.31	6.00	25.8	26.8	17.00	2.42	16.8/3818	1.03	B
C2080HPSS	50.800	15.88	15.75	11.40	8.05	32.5	33.8	24.00	3.25	35.0/7955	1.83	B

\*滚子链：表中套筒直径d1为滚子直径

\*Roller chain:d1 in the table indicate the external diameter of the roller



### 不锈钢空心销轴链 Stainless steel hollow chains



Vision Chain No.	节距	滚子直径	内节内宽	销轴直径		销轴长度		内链板高度	链板厚度	破断载荷	每米长重
	Pitch	Roller diameter	Width between inner plates	Pin diameter		Pin length		Inner plate depth	Plate thickness	Breaking load	Weight per meter
	P	d1 max	b1 min	d2 max	d3 min	L max	Lc max	h2 max	T max	Q min	q
	mm	mm	mm	mm	mm	mm	mm	mm	mm	kN/LB	kg/m
C2042HPSS	25.40	15.88	7.85	5.63	4.00	16.5	17.6	12.0	1.50	7.7/1750	0.79
C2052HPSS	31.75	19.05	9.53	7.22	5.12	20.5	21.8	15.0	2.03	14.3/3250	1.27
C2062HPSS	38.10	22.23	12.70	8.31	6.00	25.8	26.8	17.0	2.42	16.8/3818	1.74
C2082HPSS	50.80	28.58	15.75	11.40	8.05	32.4	33.8	24.0	3.25	35.0/7955	2.86
C2042H-HPSS	25.40	15.88	7.85	5.63	4.00	18.8	19.9	12.0	2.03	7.7/1750	0.96
C2052H-HPSS	31.75	19.05	9.53	7.22	5.12	22.1	23.4	15.0	2.42	14.3/3250	1.46
C2062H-HPSS	38.10	22.23	12.70	8.31	6.00	29.2	30.2	17.0	3.25	16.8/3818	2.02
C2082H-HPSS	50.80	28.58	15.75	11.40	8.05	36.2	37.6	24.0	4.00	35.0/7955	3.30