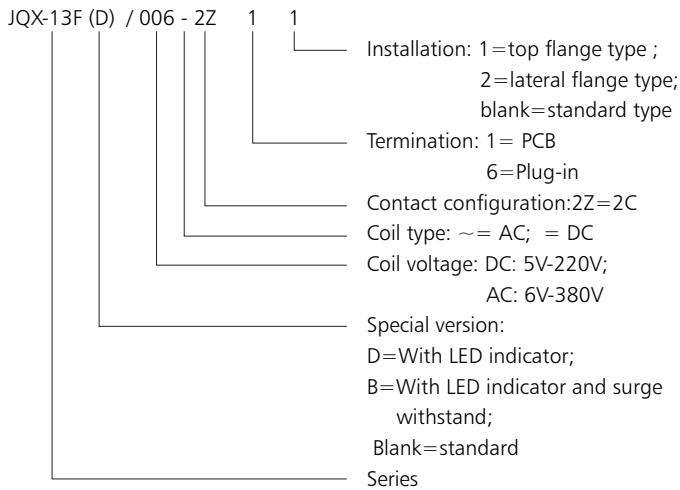


## JQX-13F Miniature Power Relay

### 1. Features

- 1.1 10A switching capacity
- 1.2 Choice of PCB and plug-in types
- 1.3 Various sockets available
- 1.4 With indicator to be selected
- 1.5 Wide range of coil ratings
- 1.6 Certificate: CE, UL

### 2. Ordering information



### 3. Contact specification

Contact Arrangement		2C
Initial contact resistance	m Ω	100
Contact material		Silver alloy
Rated load(resistive)		10A/220VAC,10A/28VDC
Max. switching voltage	VAC	250
	VDC	125
Max. switching current	A	10
Max. swithcing capacity	VA	2200
	W	280
Electrical endurance	Cycles( $\times 10^3$ )	100
Machanical endurance	Cycles( $\times 10^6$ )	10



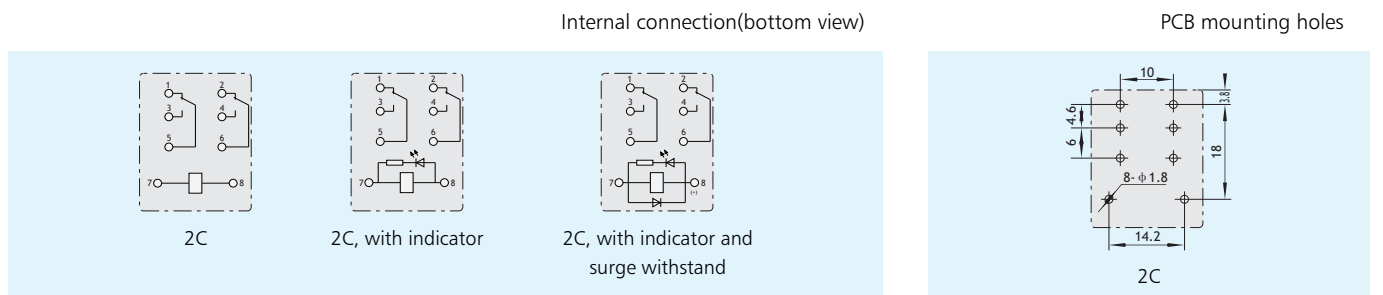
#### 4. Coil specification

AC					DC				
Rated voltage	Holding voltage	Must drop-out voltage	Operating range	Power consumption	Rated voltage	Holding voltage	Must drop-out voltage	Operating range	Power consumption
6	80%Un	30%Un	(80%-110%)Un	1.2VA	5	75%Un	10%Un	(75%-110%)Un	0.9W
12					6				
24					12				
36					24				
48					36				
110					48				
127					110				
220					125				
380					220				

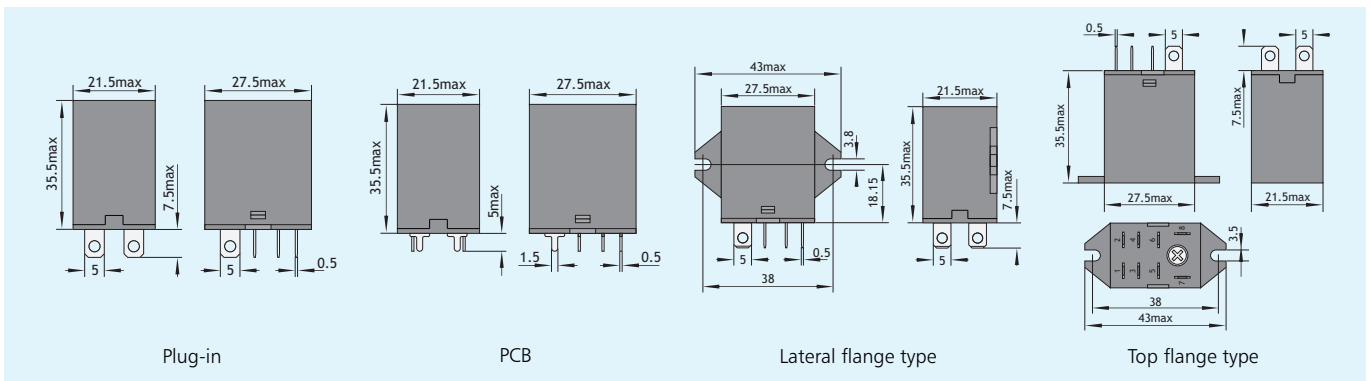
#### 5. Characteristics

Insulation resistance(at 500VDC)	mΩ	100
Dielectric strength	Between coil & contacts	1500VAC for 1 min
	Between open contacts	1000VAC for 1 min
Operation time	ms	≤25
Release time	ms	≤25
Shock resistance	m/s <sup>2</sup>	100
Vibration		10 ~ 55Hz, 1mm double amplitude
Humidity		90% RH at +40℃
Ambient temperature range	℃	-30 ~ +60
Termination		PCB, plug-in
Dimension	mm	27.5×21.5×35.5

#### 6. Overall mounting dimensions (mm)



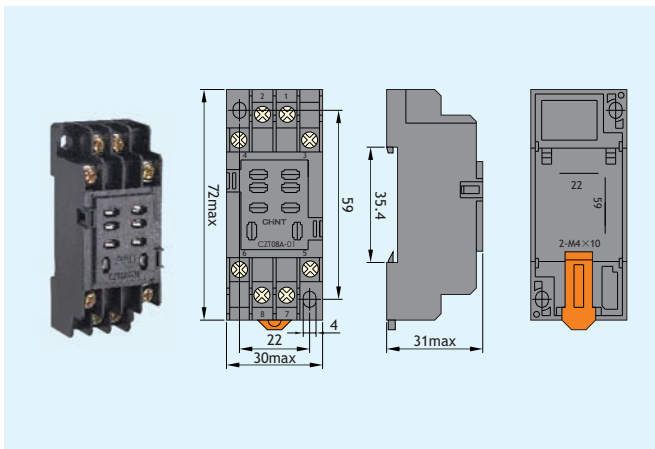
Dimensions



7. Socket

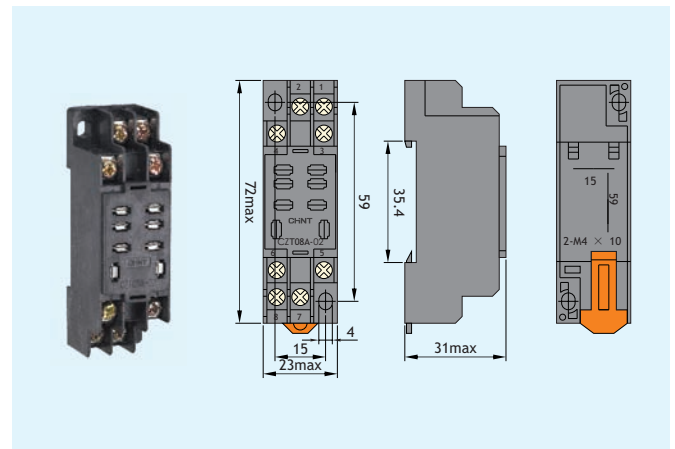
Dimensions: 72×30×31 (mm)

CZT08A-01



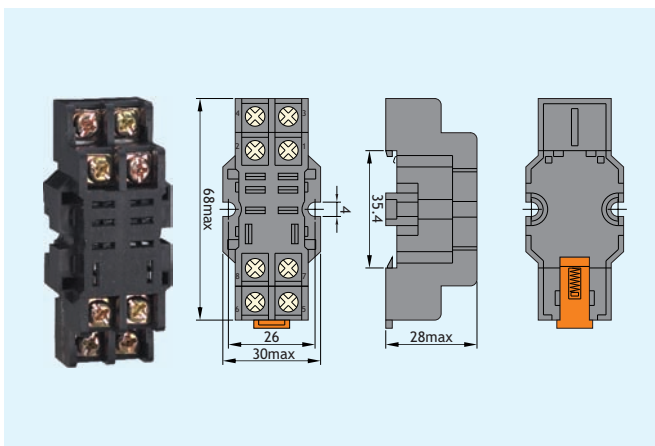
Dimensions: 72×30×31 (mm)

CZT08A-02



Dimensions: 68×30×28 (mm)

CZT08B-01



Dimensions: 68×30×28 (mm)

CZT08B-01E  
With finger proof

