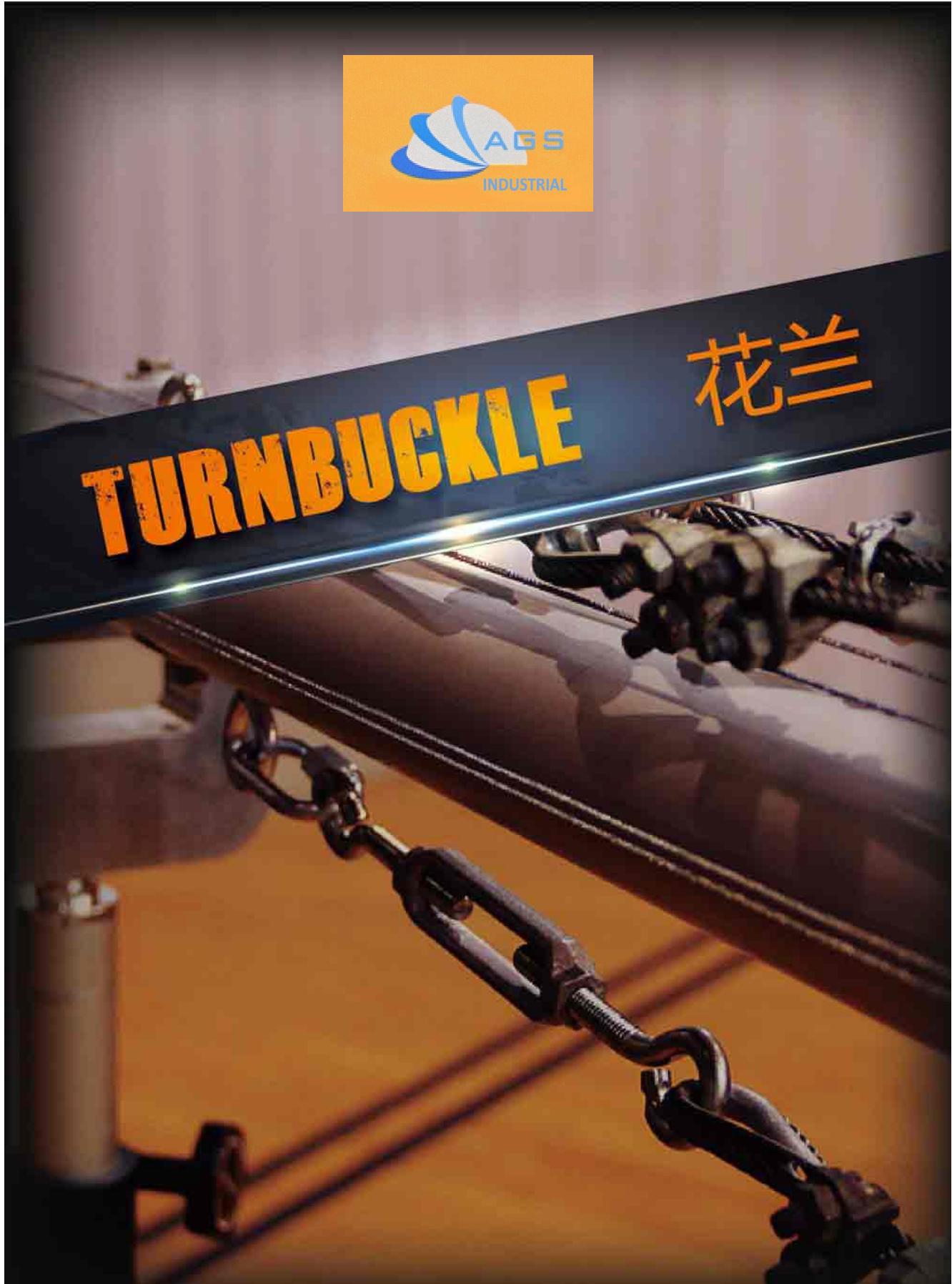




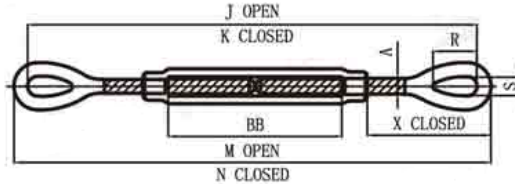
TURNBUCKLE

花兰



TURNBUCKLE

US Type Turnbuckles With Eye & Eye 美式模锻花兰圈圈型

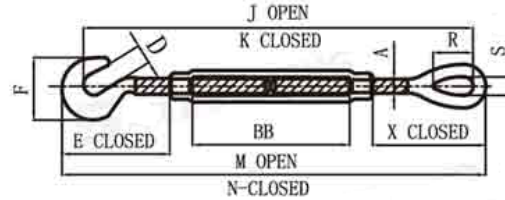


Drop Forged, Quenched and Tempered
Hot Dipped Galvanized
Proof Load is 2.5 time the Working Load Limit. Ultimate Load is 5 times the Working Load Limit.

Size(in)	WLL (lbs)	Weight (lbs)	Dimensions(in)								
			A	J Open	K Closed	M Open	N Closed	R	S	X Closed	BB
1/4X4	500	0.3	0.25	11.8	7.8	12.25	8.25	0.78	0.34	1.75	4
5/16*4-1/2	800	0.47	0.31	13.56	9.06	14.12	9.62	0.94	0.44	2.09	4.5
3/8*6	1200	0.75	0.38	17.47	11.47	18.16	12.16	1.12	0.53	2.52	6
1/2*6	2200	1.6	0.5	19.08	13.08	19.96	13.96	1.44	0.72	3.23	6
1/2*9	2200	1.83	0.5	25.08	16.08	25.96	16.96	1.44	0.72	3.23	9
1/2*12	2200	2.08	0.5	31.08	19.08	31.96	19.96	1.44	0.72	3.23	12
5/8*6	3500	2.75	0.63	20.68	14.68	21.68	15.68	1.75	0.88	3.9	6
5/8*9	3500	3.13	0.63	26.68	17.68	27.68	18.68	1.75	0.88	3.9	9
5/8*12	3500	3.5	0.63	32.68	20.68	33.68	21.68	1.75	0.88	3.9	12
3/4*6	5200	3.89	0.75	22.38	16.38	23.62	17.62	2.09	1	4.69	6
3/4*9	5200	4.61	0.75	28.38	19.38	29.62	20.62	2.09	1	4.69	9
3/4*12	5200	5.43	0.75	34.38	22.38	35.62	23.62	2.09	1	4.69	12
3/4*18	5200	7.25	0.75	46.38	28.38	47.62	29.62	2.09	1	4.69	18
7/8*12	7200	8.1	0.88	35.32	23.32	36.82	24.82	2.38	1.25	5.1	12
7/8*18	7200	9.95	0.88	47.32	29.32	48.82	30.82	2.38	1.25	5.1	18
1*6	10000	9.33	1	25.97	19.97	27.72	21.72	3	1.44	6.36	6
1*12	10000	11.93	1	37.97	25.97	39.97	27.72	3	1.44	6.36	12
1*18	10000	14	1	49.97	31.97	51.72	33.72	3	1.44	6.36	18
1*24	10000	17.25	1	61.97	37.97	63.72	39.72	3	1.44	6.36	24
1-1/4*12	15200	19	1.25	40.31	28.31	42.56	30.56	3.56	1.81	7.72	12
1-1/4*18	15200	23	1.25	52.31	34.31	54.56	36.56	3.56	1.81	7.72	18
1-1/4*24	15200	27	1.25	64.31	40.31	66.56	42.56	3.56	1.81	7.72	24
1-1/2*12	21400	27.5	1.5	42.5	30.5	45	33	4.06	2.12	8.62	12
1-1/2*18	21400	31	1.5	54.5	36.5	57	39	4.06	2.12	8.62	18
1-1/2*24	21400	37.5	1.5	66.5	42.5	69	45	4.06	2.12	8.62	24
1-3/4*18	28000	52.5	1.75	57.38	39.38	60.38	42.38	4.62	2.38	10	18
1-3/4*24	28000	58	1.75	69.38	45.38	72.38	48.38	4.62	2.38	10	24
2*24	37000	85.25	2	75.69	51.69	79.19	55.19	5.75	2.69	13.09	24
2-1/2*24	60000	144.25	2.5	78.62	54.62	82.62	58.62	6.5	3.12	13.78	24
2-3/4*24	75000	194	2.75	81	57	85.5	61.5	7	3.25	15.22	24

TURNBUCKLE

US Type Turnbuckles With Eye & Hook 美式模锻花兰钩圈型

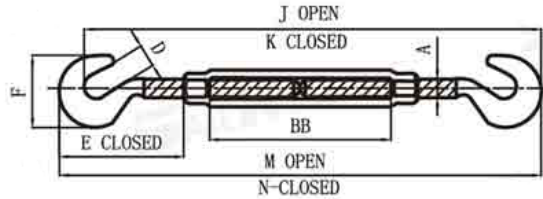


Drop Forged, Quenched and Tempered
Hot Dipped Galvanized
Proof Load is 2.5 times the Working Load Limit. Ultimate Load is 5 times the Working Load Limit.

Size(in)	WLL (lbs)	Weight (lbs)	Dimensions(in)											
			A	D	E Closed	F	J Open	K Closed	M Open	N Closed	R	S	X Closed	BB
1/4*4	400	0.30	0.25	0.45	1.59	1.27	11.46	7.46	12.09	8.09	0.78	0.34	1.75	4
5/16*4-1/2	700	0.47	0.31	0.50	1.94	1.50	13.19	8.69	13.47	9.47	0.94	0.44	2.09	4.5
3/8*6	1000	0.75	0.38	0.56	2.30	1.77	16.50	10.98	17.94	11.94	1.12	0.53	2.52	6
1/2*6	1500	1.60	0.50	0.66	2.94	2.28	18.45	12.45	19.67	13.16	1.44	0.72	3.23	6
1/2*9	1500	1.83	0.50	0.66	2.94	2.28	24.45	15.45	25.67	16.67	1.44	0.72	3.23	9
1/2*12	1500	2.08	0.50	0.66	2.94	2.28	30.45	18.45	31.67	19.67	1.44	0.72	3.23	12
5/8*6	2250	2.75	0.63	0.84	3.69	2.81	19.96	13.96	21.47	15.47	1.75	0.88	3.90	6
5/8*9	2250	3.13	0.63	0.84	3.69	2.81	25.96	16.96	27.47	18.47	1.75	0.88	3.90	9
5/8*12	2250	3.50	0.63	0.84	3.69	2.81	31.96	19.96	33.47	21.47	1.75	0.88	3.90	12
3/4*6	3000	3.89	0.75	0.98	4.52	3.33	21.63	25.96	23.45	17.45	2.09	1.00	4.69	6
3/4*9	3000	4.16	0.75	0.98	4.52	3.33	27.63	31.96	29.45	20.45	2.09	1.00	4.69	9
3/4*12	3000	5.43	0.75	0.98	4.52	3.33	33.63	21.63	35.45	23.45	2.09	1.00	4.69	12
3/4*18	3000	7.25	0.75	0.98	4.52	3.33	45.63	27.63	47.45	29.45	2.09	1.00	4.69	18
7/8*12	4000	8.10	0.88	1.13	5.19	3.78	34.78	22.78	36.91	24.91	2.38	1.25	5.10	12
7/8*18	4000	9.95	0.88	1.13	5.19	3.78	46.78	28.78	48.91	30.91	2.38	1.25	5.10	18
1*6	5000	9.33	1.00	1.25	5.84	4.25	24.80	18.80	27.20	21.2	3.00	1.44	6.36	6
1*12	5000	11.93	1.00	1.25	5.84	4.25	36.80	24.80	39.20	27.2	3.00	1.44	6.36	12
1*18	5000	14.00	1.00	1.25	5.84	4.25	48.80	30.80	51.20	33.2	3.00	1.44	6.36	18
1*24	5000	17.25	1.00	1.25	5.84	4.25	60.80	36.80	63.20	39.2	3.00	1.44	6.36	24
1-1/4*12	5000	19.00	1.25	1.50	7.22	5.13	39.13	27.13	42.06	30.06	3.56	1.81	7.72	12
1-1/4*18	5000	23.00	1.25	1.50	7.22	5.13	51.13	33.13	54.06	36.06	3.56	1.81	7.72	18
1-1/4*24	5000	27.00	1.25	1.50	7.22	5.13	63.13	39.13	66.06	42.06	3.56	1.81	7.72	24
1-1/2*12	7500	27.50	1.50	1.88	8.34	5.75	41.72	29.72	44.72	32.72	4.06	2.12	8.62	12
1-1/2*18	7500	31.00	1.50	1.88	8.34	5.75	53.72	35.72	56.72	38.72	4.06	2.12	8.62	18
1-1/2*24	7500	37.50	1.50	1.88	8.34	5.75	65.72	41.72	68.72	44.72	4.06	2.12	8.62	24

TURNBUCKLE

US Type Turnbuckles With Hook & Hook 美式模锻花兰钩钩型

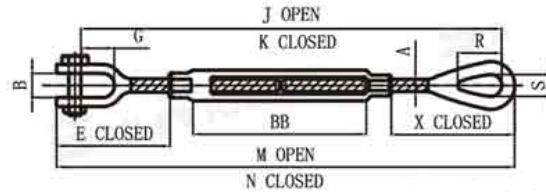


Drop Forged, Quenched and Tempered
Hot Dipped Galvanized
Proof Load is 2.5 time the Working Load Limit. Ultimate Load is 5 times the Working Load Limit.

Size(in)	WLL(lbs)	Weight (lbs)	Dimensions(in)								
			A	E Closed	J Open	K Closed	M Open	N Closed	D	F	BB
1/4*4	400	0.3	0.25	1.59	11.12	7.12	11.94	7.94	0.45	1.27	4
5/16*4 1/2	700	0.47	0.31	1.94	12.81	8.31	13.81	9.31	0.5	1.5	4.5
3/8*6	1000	0.78	0.38	2.3	16.5	10.5	17.72	11.72	0.56	1.77	6
1/2*6	1500	1.6	0.5	2.94	18.82	11.82	20.38	13.38	0.66	2.28	6
1/2*12	1500	2.28	0.5	2.94	30.82	17.82	32.38	19.38	0.66	2.28	12
5/8*6	2250	2.75	0.63	3.69	20.5	13.25	22.5	15.25	0.9	2.81	6
5/8*12	2250	3.5	0.63	3.69	32.5	19.25	34.5	21.25	0.9	2.81	12
3/4*6	3000	3.89	0.75	4.52	22.38	14.88	24.78	17.28	0.98	3.33	6
3/4*12	3000	5.43	0.75	4.52	34.38	20.88	36.78	23.28	0.98	3.33	12
3/4*18	3000	8.12	0.75	4.52	46.38	26.88	48.78	29.28	0.98	3.33	18
7/8*12	4000	8.1	0.88	5.19	36	22.25	38.75	25	1.13	3.78	12
1*12	5000	11.93	1	5.84	37.63	23.63	40.69	26.69	1.25	4.25	12
1*18	5000	14	1	5.84	49.63	29.63	52.69	32.69	1.25	4.25	18
1*24	5000	17.25	1	5.84	61.63	35.63	64.69	38.69	1.25	4.25	24
1 1/4*12	6500	20.58	1.25	7.22	40.44	25.94	44.06	29.56	1.5	5.13	12
1 1/4*18	6500	23	1.25	7.22	52.44	31.94	56.06	35.56	1.5	5.13	18
1 1/4*24	6500	27	1.25	7.22	64.44	37.94	68.06	41.56	1.5	5.13	24
1 1/2*12	7500	27.5	1.5	8.34	43.94	28.94	47.44	32.44	1.88	5.75	12
1 1/2*18	7500	31	1.5	8.34	55.96	34.94	59.44	38.44	1.88	5.75	18
1 1/2*24	7500	37.5	1.5	8.34	67.94	40.94	71.44	44.44	1.88	5.75	24

TURNBUCKLE

US Type Turnbuckles With Eye & Jaw 美式模锻花兰圈叉型

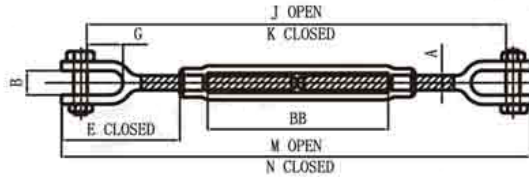


Drop Forged, Quenched and Tempered
Hot Dipped Galvanized
Proof Load is 2.5 time the Working Load Limit. Ultimate Load is 5 times the Working Load Limit.

Size(in)	WLL (lbs)	Weight (lbs)	Dimensions(in)											
			A	D	E Closed	G	J Open	K Closed	M Open	N Closed	R	S	X Closed	BB
1/4*4	500	0.32	0.25	0.41	1.58	0.62	11.35	7.35	2.07	8.07	0.78	0.34	1.75	4
5/16*4 1/2	800	0.47	0.31	0.47	1.98	0.87	13.71	8.71	14.01	9.51	0.94	0.44	2.09	4.5
3/8*6	1200	0.76	0.38	0.5	2.12	0.87	16.81	10.81	17.77	11.77	1.12	0.53	2.52	6
1/2*6	2200	1.53	0.5	0.63	2.75	1.06	18.29	12.28	19.48	13.48	1.44	0.72	3.23	6
1/2*9	2200	1.71	0.5	0.63	2.75	1.06	24.29	15.29	25.48	16.48	1.44	0.72	3.23	9
1/2*12	2200	2.06	0.5	0.63	2.75	1.06	30.29	18.29	31.48	19.48	1.44	0.72	3.23	12
5/8*6	3500	2.35	0.63	0.75	3.5	1.31	19.74	13.74	21.28	15.28	1.75	0.88	3.9	6
5/8*9	3500	3.06	0.63	0.75	3.5	1.31	25.74	16.74	27.28	18.28	1.75	0.88	3.9	9
5/8*12	3500	3.78	0.63	0.75	3.5	1.31	31.74	19.74	33.28	21.28	1.75	0.88	3.9	12
3/4*6	5200	4	0.75	0.94	4.18	1.5	21.19	15.19	23.11	17.11	2.09	1	4.69	6
3/4*9	5200	4.75	0.75	0.94	4.18	1.5	27.19	18.19	29.11	20.11	2.09	1	4.69	9
3/4*12	5200	5.36	0.75	0.94	4.18	1.5	33.19	21.19	35.11	23.11	2.09	1	4.69	12
3/4*18	5200	7	0.75	0.94	4.18	1.5	45.19	27.19	47.11	29.11	2.09	1	4.69	18
7/8*12	7200	8	0.88	1.13	4.85	1.75	34.34	33.34	36.57	24.57	2.38	1.25	5.1	12
7/8*18	7200	9.75	0.88	1.13	4.85	1.75	46.34	28.34	48.57	30.57	2.38	1.25	5.1	18
1*6	10000	8.92	1	1.19	5.53	2.06	24.34	18.34	26.89	20.89	3	1.44	6.36	6
1*12	10000	11.2	1	1.19	5.53	2.06	36.34	24.34	38.89	26.89	3	1.44	6.36	12
1*18	10000	13.3	1	1.19	5.53	2.06	48.34	30.34	50.89	32.89	3	1.44	6.36	18
1*24	10000	17	1	1.19	5.53	2.06	60.34	36.34	62.89	38.89	3	1.44	6.36	24
1 1/4*12	15200	20	1.25	1.75	7.21	2.81	38.82	26.82	42.05	30.05	3.56	1.81	7.72	12
1 1/4*18	15200	24.18	1.25	1.75	7.21	2.81	50.82	32.82	54.05	36.05	3.56	1.81	7.72	18
1 1/4*24	15200	28.5	1.25	1.75	7.21	2.81	62.82	38.82	66.05	42.05	3.56	1.81	7.72	24
1 1/2*12	21400	28.99	1.50	2.06	7.88	2.81	40.50	28.50	44.25	32.25	4.06	2.12	8.62	12
1 1/2*18	21400	35.00	1.50	2.06	7.88	2.81	52.50	34.50	56.25	38.25	4.06	2.12	8.62	18
1 1/2*24	21400	39.18	1.50	2.06	7.88	2.81	64.50	40.50	68.25	44.25	4.06	2.12	8.62	24
1 3/4*18	28000	53.75	1.75	2.38	9.40	3.38	55.38	37.38	59.78	41.78	4.62	2.38	10.00	18
1 3/4*24	28000	60.68	1.75	2.38	9.40	3.38	67.38	43.38	71.78	47.78	4.62	2.38	10.00	24
2 * 24	37000	89.00	2.00	2.50	11.86	3.69	72.62	48.62	77.95	53.95	5.75	2.69	13.09	24
2 1/2 * 24	60000	150.00	2.50	2.88	13.56	4.44	75.80	51.80	82.40	58.40	6.50	3.12	13.78	24
2 3/4 * 24	75000	183.00	2.75	2.50	15.22	4.19	77.88	53.88	85.50	61.50	7.00	3.25	15.22	24

TURNBUCKLE

US Type Turnbuckles With Jaw & Jaw 美式模锻花兰叉叉型

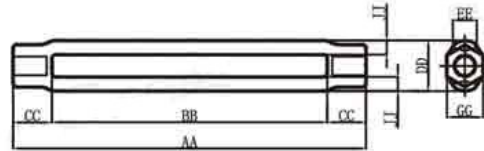


Drop Forged, Quenched and Tempered
Hot Dipped Galvanized
Proof Load is 2.5 time the Working Load Limit. Ultimate Load is 5 times the Working Load Limit.

Size(in)	WLL(lbs)	Weight(lbs)	Dimensions(in)								
			A	B	E Closed	G	J Open	K Closed	M Open	N Closed	BB
1/4*4	500	0.36	0.25	0.41	1.58	0.62	10.90	6.90	11.90	7.90	4
5/16*4.1/2	800	0.52	0.31	0.47	1.98	0.87	12.36	8.36	13.90	9.40	4.5
3/8*6	1200	0.81	0.38	0.50	2.12	0.87	16.14	10.14	17.38	11.38	6
1/2*6	2200	1.50	0.50	0.63	2.75	1.06	17.50	11.50	19.00	13.00	6
1/2*9	2200	1.74	0.50	0.63	2.75	1.06	23.50	14.50	25.00	16.00	9
1/2*12	2200	2.46	0.50	0.63	2.75	1.06	29.50	17.50	31.00	19.00	12
5/8*6	3500	2.72	0.63	0.75	3.50	1.31	18.80	12.80	20.88	14.88	6
5/8*9	3500	3.24	0.63	0.75	3.50	1.31	24.80	15.80	26.88	17.88	9
5/8*12	3500	3.74	0.63	0.75	3.50	1.31	30.80	18.80	32.88	20.88	12
3/4*6	5200	4.11	0.75	0.94	4.18	1.5	20.00	14.00	22.60	16.60	6
3/4*9	5200	5.10	0.75	0.94	4.18	1.5	26.00	17.00	28.60	19.60	9
3/4*12	5200	5.65	0.75	0.94	4.18	1.5	32.00	20.00	34.60	22.60	12
3/4*18	5200	7.00	0.75	0.94	4.18	1.5	44.00	26.00	46.60	28.60	18
7/8*12	7200	8.17	0.88	1.13	4.85	1.75	33.36	21.36	36.32	24.32	12
7/8*18	7200	9.96	0.88	1.13	4.85	1.75	43.36	27.36	48.32	30.32	18
1*6	10000	8.56	1.00	1.19	5.53	2.06	22.72	16.72	26.06	20.06	6
1*12	10000	12.00	1.00	1.19	5.53	2.06	34.72	22.72	38.06	26.06	12
1*18	10000	14.00	1.00	1.19	5.53	2.06	46.72	28.72	50.06	32.06	18
1*24	10000	17.00	1.00	1.19	5.53	2.06	58.72	34.72	62.06	38.06	24
1-1/4*12	15200	21.50	1.25	1.75	7.21	2.81	37.34	25.34	41.54	29.54	12
1-1/4*18	15200	24.25	1.25	1.75	7.21	2.81	49.34	31.34	53.54	35.54	18
1-1/4*24	15200	28.00	1.25	1.75	7.21	2.81	61.34	37.34	65.54	41.54	24
1-1/2*12	21400	30.50	1.50	2.06	7.88	2.81	38.50	26.50	43.50	31.50	12
1-1/2*18	21400	36.75	1.50	2.06	7.88	2.81	50.50	32.50	55.50	37.50	18
1-1/2*24	21400	40.67	1.50	2.06	7.88	2.81	62.50	38.50	67.50	43.50	24
1-3/4*18	28000	55.04	1.75	2.38	9.40	3.38	53.38	35.38	59.18	41.18	18
1-3/4*24	28000	63.36	1.75	2.38	9.40	3.38	65.38	41.38	71.18	47.18	24
2*24	37000	94.25	2.00	2.50	11.86	3.69	69.54	45.54	76.72	52.12	24
2-1/2*24	60000	165.00	2.50	2.88	13.56	4.44	72.98	48.98	82.18	58.18	24
2-3/4*24	75000	198.00	2.75	3.50	15.22	4.19	74.75	50.75	85.5	61.50	24

TURNBUCKLE

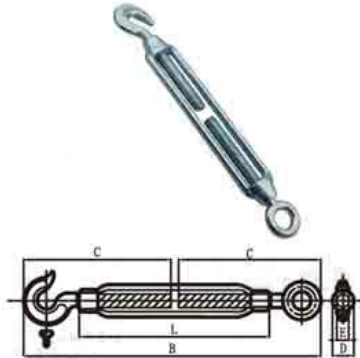
US Type Turnbuckles Body Only 美式模锻花兰体



Size(in)	WLL(lbs)	Weight(lbs)	Dimensions(in)							
			AA	BB	CC	DD	EE	GG	HH	JJ
1/4*4	500	0.15	4.75	4	0.38	0.72	0.34	0.5	0.38	0.71
5/16*4 1/2	800	0.19	5.44	4.5	0.47	0.81	0.38	0.56	0.44	0.19
3/8*6	1200	0.29	7.12	6	0.56	0.88	0.38	0.62	0.5	0.19
1/2*6	2200	0.6	7.5	6	0.75	1.12	0.5	0.81	0.62	0.25
1/2*9	2200	0.68	10.5	9	0.75	1.12	0.5	0.81	0.62	0.25
1/2*12	2200	1	13.5	12	0.75	1.12	0.5	0.81	0.62	0.25
5/8*6	3500	0.9	7.88	6	0.94	1.38	0.62	1	0.75	0.31
5/8*9	3500	1.18	10.88	9	0.94	1.38	0.62	1	0.75	0.31
5/8*12	3500	1.43	13.88	12	0.94	1.38	0.62	1	0.75	0.31
3/4*6	5200	1.3	8.25	6	1.12	1.69	0.75	1.12	0.94	0.38
3/4*9	5200	1.75	11.25	9	1.12	1.69	0.75	1.12	0.94	0.38
3/4*12	5200	2.08	14.25	12	1.12	1.69	0.75	1.12	0.94	0.38
3/4*18	5200	2.5	20.25	18	1.12	1.69	0.75	1.12	0.94	0.38
7/8*12	7200	2.7	14.62	12	1.31	1.94	0.88	1.31	1.06	0.44
7/8*18	7200	3.8	20.62	18	1.31	1.94	0.88	1.31	1.06	0.44
1*6	10000	2.48	9	6	1.5	2.25	1	1.5	1.25	0.5
1*12	10000	3.93	15	12	1.5	2.25	1	1.5	1.25	0.5
1*18	10000	5.28	21	18	1.5	2.25	1	1.5	1.25	0.5
1*24	10000	7.38	27	24	1.5	2.25	1	1.5	1.25	0.5
1 1/4*12	15200	5.25	15.12	12	1.56	2.62	1.25	1.88	1.5	0.56
1 1/4*18	15200	7.75	21.12	18	1.56	2.62	1.25	1.88	1.5	0.56
1 1/4*24	15200	10.17	27.12	24	1.56	2.62	1.25	1.88	1.5	0.56
1 1/2*12	21400	8.75	15.75	12	1.88	3	1.5	2.25	1.75	0.62
1 1/2*18	21400	11	21.75	18	1.88	3	1.5	2.25	1.75	0.62
1 1/2*24	21400	13.69	27.75	24	1.88	3	1.5	2.25	1.75	0.62
1 3/4*18	28000	16.38	22.38	18	2.09	3.62	1.75	2.62	2.12	0.75
1 3/4*24	28000	21.25	28.38	24	2.19	3.62	1.75	2.62	2.12	0.75
2*24	37000	27.6	29	24	2.5	4.12	2	3	2.38	0.88
2 1/2*24	60000	54	31.06	24	3.53	5.62	2.75	3.88	3.12	1.25
2 3/4*24	75000	54	31.06	24	3.53	5.62	2.75	3.88	3.12	1.25

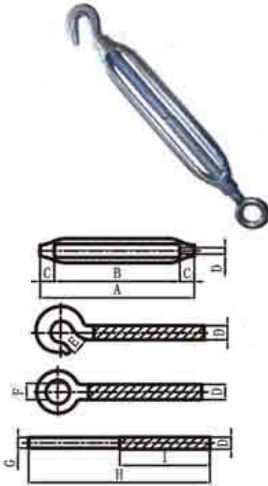
TURNBUCKLE

Commercial Type Turnbuckles 国标花兰



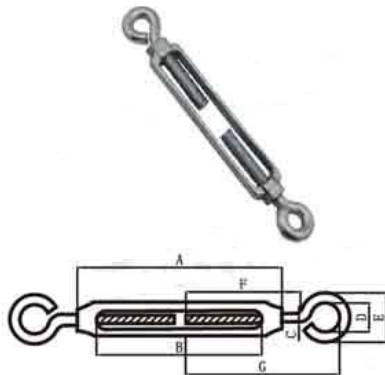
Size (mm)	WLL (kg)	Dimensions(mm)						Weight (lbs)
		B	C	D	E	F	L	
6x100	100	145	215	12	10	6	100	0.35
8x125	200	185	280	14	12	8	125	0.53
10x150	300	210	325	16	14	9	150	0.79
12x200	500	275	430	19	18	11	200	1.41
16x250	1000	345	540	23	24	14	250	3.18
20x300	1500	435	670	28	26	18	300	4.96
22x330	2200	480	740	34	32	20	330	7.79
24x350	3000	555	830	36	36	21	350	9.58

JIS Type Frame Turnbuckles 日式开体花兰



Size (D)	Body Only						Eye&Eye			Hook&Eye		Hook&Hook			With Stubs			
	A	B	C	T.L	W/PC	F	T.L	W/PC	T.L	W/PC	E	T.L	W/PC	H	I	G	W/PC	
6 1/4	100	4	78	11	1	0.08	10	0.1	0.11	0.04	0.11	9	0.04	0.11	80	50	5.3	0.11
8 5/16	125	5	100	12.5	1.2	0.15	12	0.2	0.22	0.08	0.22	9	0.08	0.22	100	63	6.9	0.22
9 3/8	150	6	120	12.5	1.5	0.17	16	0.5	0.3	0.15	0.30	11	0.15	0.29	130	75	8.3	0.27
12 1/2	200	8	164	18	2	0.29	20	2	0.6	0.35	0.59	16	0.35	0.57	150	100	11.2	0.51
16 5/8	250	10	202	21.5	3	0.52	22	3	1.07	0.7	1.05	19	0.7	1.03	180	125	14.2	0.95
19 3/4	300	12	250	25	4	0.85	28	4	1.79	1	1.78	20	1	1.77	220	150	17.2	1.62
22 7/8	325	13	269	28	5	1.17	33	5	2.55	1.5	2.58	21	1.5	2.6	250	165	20.3	2.34
25 1	350	14	285	32.5	6	1.69	35	6	3.8	2	3.77	26	2	3.73	270	175	23.3	3.27
32 1-1/4	400	16	310	45	8	3.51	36*70	10	7.6	3	7.52	34	3	7.44	300	200	29	6.52

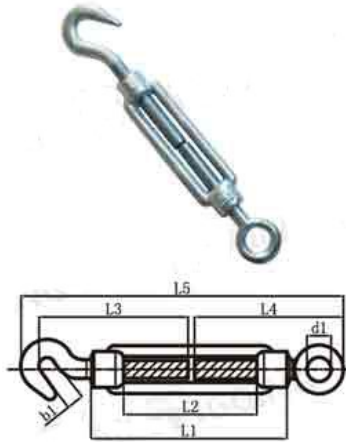
Korean Type Turnbuckles 南韩式玛钢花兰



Size(in)	Dimensions(mm)							Weight(lbs)
	A	B	C	D	E	F	G	
3/16"	57.4	41.2	41.5	18.4	15	36	54.6	66
5/16"	90	70	8	11	22	65	95	320
3/8"	160	130	9	17	30	85	130	761
1/2"	190	155	10	20	30	95	150	1236
1/2"(Long)	255	215	10	30	35	140	190	1743
5/8"	250	200	15	25	45	130	190	2471
5/8"(Long)	350	300	15	30	45	180	240	3398
3/4"	250	200	20	35	45	140	210	3685
3/4"(Long)	300	245	20	40	55	170	240	4523

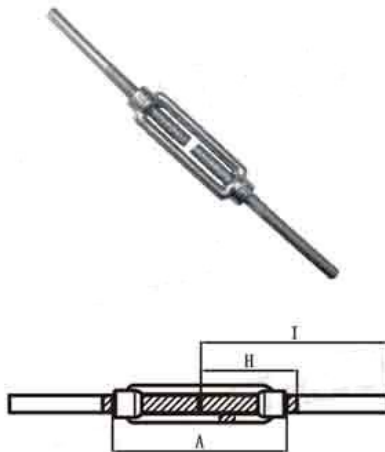
TURNBUCKLE

DIN 1480 Turnbuckles DIN1480花兰



Size (mm)	Dimensions(mm)							WLL (kg)	Weight 100 pcs(kg)
	L1	L2	L3	b1	L4	d1	L5		
M6	110	80	85	8.5	80	9	172	230	7.8
M8	110	75	85	11	84	10	182	418	14.8
M10	125	85	112	13.5	105	14	213	663	29.6
M12	125	80	117	15.5	115	16	238	948	36.3
M16	170	110	138	19	165	22	320	1804	91
M20	200	130	170	20.5	167	24	367	2752	156
M24	255	170	205	26	205	27	447	3996	325
M30	255	160	225	33	255	31	512	6371	415
M36	295	180	255	44	276	43	568	9276	745

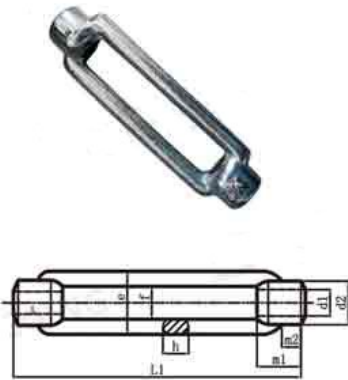
DIN 1480 Turnbuckles Stub End DIN1480杆杆花兰



Size (mm)	Dimensions(mm)			Weight 100 pcs(kg)
	A	H	I	
M6	110	60	120	10
M8	110	65	120	16
M10	125	75	150	30
M12	125	75	150	40
M14	140	90	165	62
M16	170	100	200	96
M20	200	120	220	174
M22	220	120	220	213
M24	255	150	260	274
M27	255	160	265	388
M30	255	160	260	420
M36	295	180	300	720
M42	330	200	350	1070
M48	355	220	380	1790
M56	355	230	380	2000

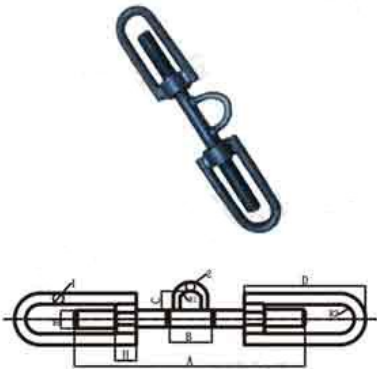
TURNBUCKLE

DIN 1480 Turnbuckles Body Only DIN1480花兰体



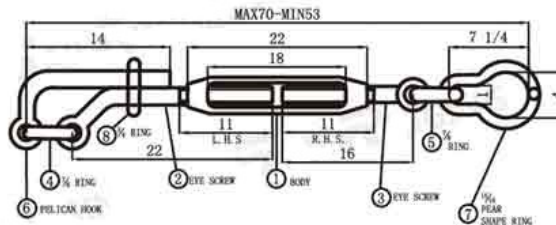
Size (mm)	Dimensions(mm)								Weight 100 pcs(lbs)
	L1	Adjustable	d2	e	f	h	m1	m2	
M6	110	80	12	19	9	6	12	6	12
M8	110	75	15	23	11	8	15	8	21
M10	125	85	18	30	14	9	18	9	34
M12	125	80	21	34	16	11	21	11	45
M14	140	90	25	38	18	10	24	9	68
M16	170	110	27	42	20	14	27	14	93
M20	200	130	34	52	24	17	34	17	163
M22	220	145	36	57	26	16	37	15	210
M24	255	170	39	60	28	20	39	20	287
M30	255	160	45	74	34	23	45	23	397
M36	295	180	55	86	40	28	55	28	684
M42	330	200	63	104	50	32	63	32	1227
M48	355	195	80	135	65	40	78	39	2151
M56	355	195	80	135	65	40	78	39	1986

Dee-Dee Turnbuckles 德标DD花兰



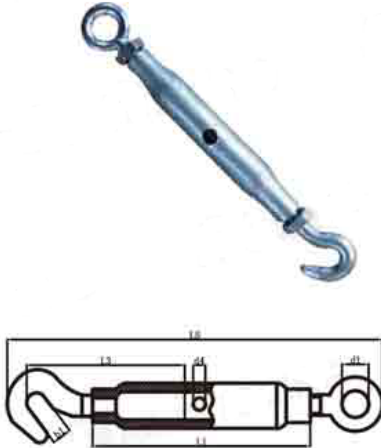
Size (mm)	Dimensions(mm)								Breaking load(t)	
	A	B	C	D	H	1	2	R1		R2
M24	400	75	35	210	22	16	12	15	20	13
		75	35	210	36	18	12	15	20	18
M24	500	75	35	260	22	16	12	15	20	13
		75	35	260	36	18	12	15	20	18
M27	400	75	35	210	33	20	12	17.5	21.5	20
		75	35	210	42	20	12	17.5	21.5	25
M27	500	75	35	260	33	20	12	17.5	21.5	20
		75	35	260	42	20	12	17.5	21.5	25
M30	400	75	35	210	-	-	12	17.5	22.5	-
		75	35	210	45	22	12	17.5	25.5	25
M30	500	75	35	260	-	-	12	17.5	25.5	-
		75	35	260	45	22	12	17.5	25.5	25
M38	480	80	35	255	40	25	12	20	28	30
		80	35	-	-	-	-	-	-	-

Decklashing Turnbuckles 捆绑花兰



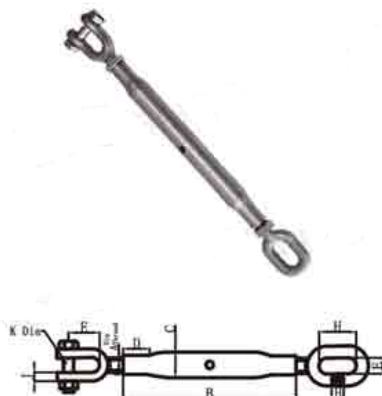
TURNBUCKLE

DIN 1478 Turnbuckles 德制1478花兰



Size (mm)	Dimensions(mm)								Weight 100pcs (lbs)
	Body Length L1(mm)	Adjustable (mm)	d4	Hook		Eye		Total Length Screwed in L5	
				L3	b1	L3	d1		
M6	110	90	6	85	8.5	80	9	172	25.6
M8	110	85	8	85	11	84	10	182	41.92
M10	125	95	8	112	13.5	105	14	213	68.4
M12	125	90	10	117	15.5	115	16	238	92.67
M16	170	120	10	138	19	165	22	320	196.38
M20	200	140	12	170	20.5	167	24	367	348.63
M24	255	180	12	205	26	205	27	447	644.3
M30	255	160	16	225	33	255	31	512	948.8
M36	295	180	16	255	44	276	43	568	1334.95
M42	330	200	20	340	48	260	49	683	2559.57
M48	355	210	20	360	58	300	58	755	3530.45

Rigging Screw 封闭式花兰



WLL (m.t)	Dimensions(mm)										Weight (lbs)
	Dia Screw A	Length of Body B	Dia of Body C	D				E			
				JAW				OVAL EYE			
				Dia	Dia Pin	Length	Hidht	Dia	Inside Length	Hidht	
D1	D2	D3	D4	E1	E2	E3					
0.1	6	102	12	3	5	15	7	6	15	8	0.24
0.15	88	110	15	4	6	16	9	7	19	10	0.5
0.375	10	152	21	5	8	21	11	8	25	11	0.62
0.5	12	175	27	6	10	25	13	11	30	14	1.76
0.75	16	229	27	10	12	40	18	14	41	16	3.09
1.125	20	229	33	12	16	45	20	16	51	22	4.41
1.6	22	305	33	15	18	48	24	16	51	22	7.72
2	24	325	42	16	22	65	28	19	57	25	8.81
2.75	28	356	48	18	22	59	30	19	57	28	9.92
3.75	33	381	48	20	27	62	34	22	65	35	14.3
4.25	35	381	60	22	28	68	38	22	65	36	17.64
5	39	406	60	24	33	74	42	25	74	38	24.25